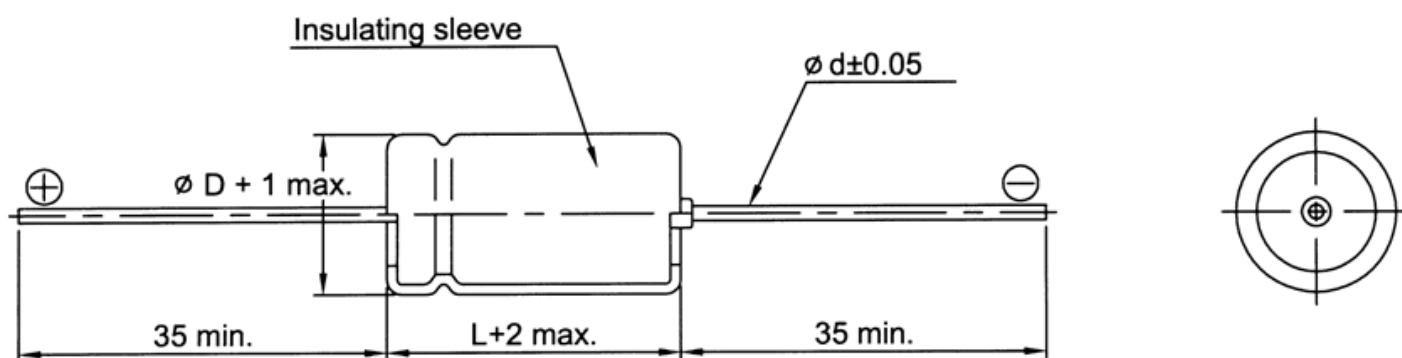


- Standard Miniature Axial Type Aluminum Electrolytic Capacitors.
- Life 2000 hours at 85°C
- Small size allows wider choice of capacitance and voltage for automatic insertion.

**Characteristics**

<b>Voltage Range</b>	10 to 100 VDC				160 to 450 VDC			
<b>Capacitance Range</b>	0.47 to 10000uF				0.47 to 220uF			
<b>Temperature Range</b>	-40 to +85°C				-25 to +85°C			
<b>Capacitance Tolerance</b>	+20% -20% (at 20°C, 120Hz)							
<b>Leakage Current</b>	I≤0.01CV or 3uA, whichever is greater 3 minutes after Rated Voltage applied				I≤0.03CV or 3uA, whichever is greater 3 minutes after Rated Voltage applied			
<b>Dissipation Factor (tan δ)</b>	Rated Voltage (V)	10	16	25	35	50	63	100
	Dissipation Factor	0.20	0.17	0.15	0.12	0.10	0.10	0.08
	Rated Voltage (V)	160	200	250	350	400	450	
	Dissipation Factor	0.16	0.18	0.18	0.20	0.20	0.20	
	For capacitance > 1000uF, add 0.02 for every 1000uF, (at 20°C, 120Hz)							
<b>Stability at Low Temperature</b>	Impedance ration at 120Hz							
	Rated Voltage (V)	10	16	25	35	50	63	100
	Z-25°C/Z 20°C	3	2	2	2	2	2	2
	Z-40°C/Z 20°C	6	4	4	3	3	3	3
	Rated Voltage (V)	160	200	250	350	400	450	
	Z-25°C/Z 20°C	2	2	3	5	15	15	
<b>Load Life</b>	After the rated voltage has been applied for 2000 hours at 85°C	Capacitance change	Within ±20% of initial value					
		D.F. tanδ	150% or less of initial specified value					
		Leakage current	Less than initial specified value					
<b>Shelf Life</b>	After storage for 500 hours at 85°C, with no voltage applied and being stabilized at +20°C, Capacitor shall meet the limit specified in load life.							

**Diagram of dimensions**



<b>D φ</b>	<b>6.3 ~ 13</b>	<b>16 ~ 25</b>
<b>d φ</b>	0.6	0.8

## Case Size of Standard Products & Maximum Ripple Current ( mA rms 85°C 120Hz)

Cap. uF	6.3V		10V		16V		25V		35V		50V		63V						
	Size	R.C.	Size	R.C.	Size	R.C.	Size	R.C.	Size	R.C.	Size	R.C.	Size	R.C.					
0.47												→	6.3x12.5	11					
1			ALL BLANK VOLTAGE ON SLEEVE MARKING IS SAME VOLTAGE "→" POINT TO										→	6.3x12.5	17				
2.2																	→	6.3x12.5	28
3.3																	→	6.3x12.5	35
4.7																	→	6.3x12.5	45
10										→	6.3x12.5	65	6.3x12.5	70					
22										→	6.3x12.5	100	6.3x12.5	115					
33								→	6.3x12.5	105	8x16	125	8x16	140					
47						→	6.3x12.5	130	6.3x12.5	140	8x16	150	8x16	190					
100				→	6.3x12.5	185	8x16	190	8x16	230	8x16	250	10x21	300					
220				→	8x16	320	8x16	320	10x17	370	10x21	440	13x21	490					
330		→	8x16	330	8x16	360	10x17	420	10x21	470	13x21	520	13x26	680					
470		→	8x16	400	8x16	470	10x17	520	13x21	580	13x21	740	16x28	880					
1000		→	10x17	630	10x21	710	13x21	830	13x26	1100	16x33	1350	16x37	1550					
2200		→	13x21	970	13x26	1150	16x28	1300	16x33	1550	18x37	1700	18x37	2200					
3300		→	13x26	1250	16x28	1400	16x33	1650	18x37	1950	22x42	2200	22x42	2360					
4700		→	16x28	1500	16x33	1700	18x37	2050	22x37	2400	22x42	2500	25x42	2950					
6800		→	16x33	1850	18x37	2150	22x42	2550	25x42	2600									
10000		→	18x37	2350	22x42	2700	22x42	2800	25x42	2800									

Cap. uF	100V		160V		200V		250V		350V		400V		450V	
	Size	R.C.	Size	R.C.	Size	R.C.	Size	R.C.	Size	R.C.	Size	R.C.	Size	R.C.
0.47	6.3x12.5	12	6.3x12.5	12	6.3x16	12	6.3x16	12	6.3x16	14	8x16	14	8x16	14
1	6.3x12.5	22	6.3x12.5	17	6.3x16	17	6.3x16	17	6.3x16	22	8x16	22	8x16	22
2.2	6.3x12.5	33	8x16	33	8x16	33	8x16	36	10x17	39	10x17	39	10x17	39
3.3	6.3x12.5	40	8x16	36	10x17	36	10x17	43	10x17	53	10x21	53	10x21	55
4.7	6.3x12.5	48	8x16	48	10x17	51	10x17	51	10x21	63	13x21	69	13x21	75
10	8x16	80	10x21	83	10x21	83	10x21	90	13x21	115	13x26	115	13x26	120
22	8x20	135	10x26	135	13x21	135	13x26	160	16x28	180	16x33	190	16x33	205
33	8x20	170	13x21	170	13x26	170	16x28	180	16x33	190	16x37	200	18x37	210
47	10x21	230	13x26	230	16x33	230	16x33	240	16x37	250	18x37	290	18x37	300
100	13x21	400	16x37	300	18x37	330	18x37	310	22x42	360				
220	16x28	710	18x37	720	22x42	750								
330	16x33	860												
470	18x36	1000												
1000	22x42	1680												