

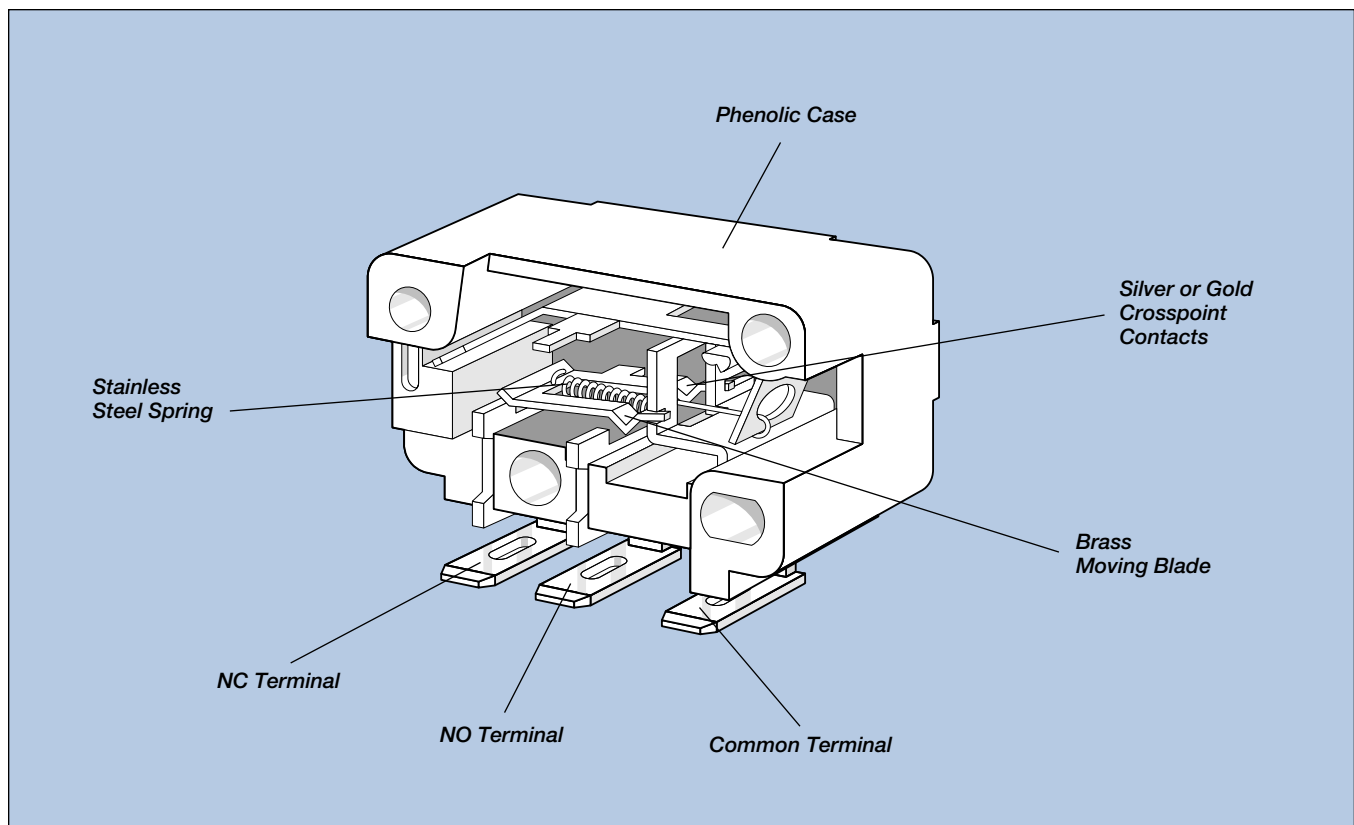
E Series

Miniature Low Torque

E51 **6 amp**
E53 **0.1 amp**

Features

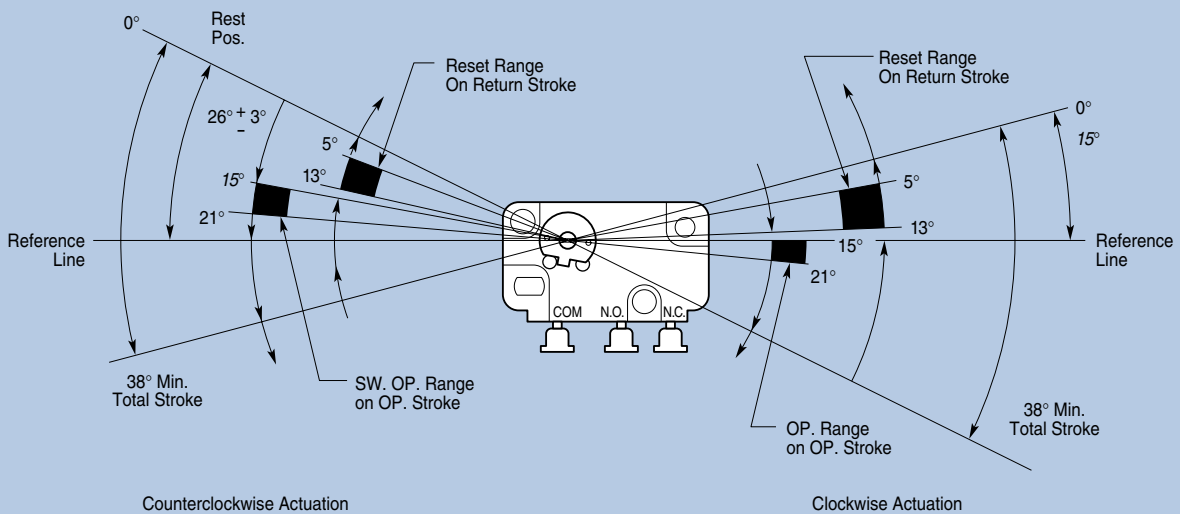
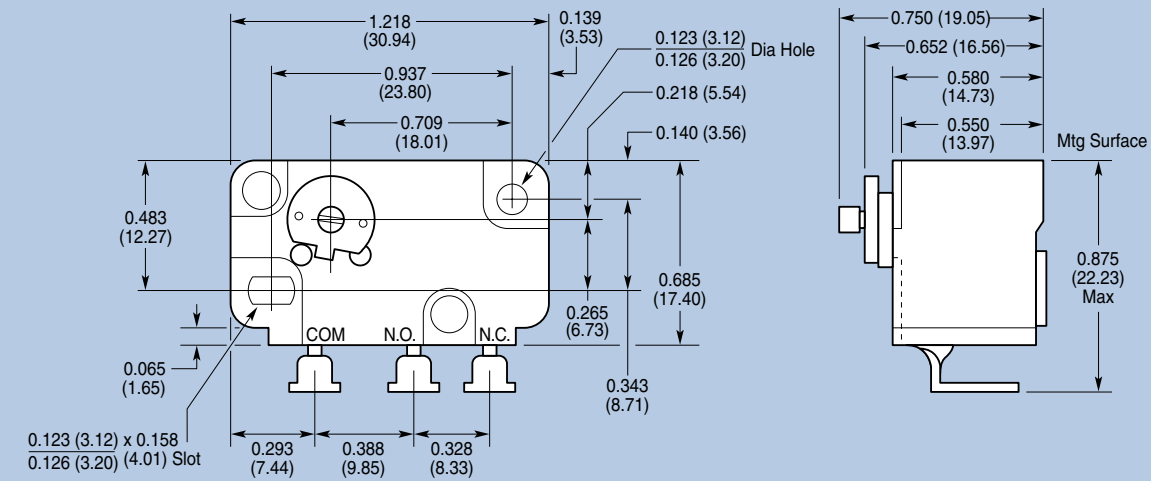
- Long life coil spring mechanism
- Low torque rotary actuation
- Clockwise or counter clockwise
- Rock wipe contact action
- 6 terminal types
- Double rivet sturdy case construction
- 3 contact arrangements



E Series

Miniature Low Torque

Dimensions: Inches (mm)



E Series

Miniature Low Torque

Contacts and Ratings

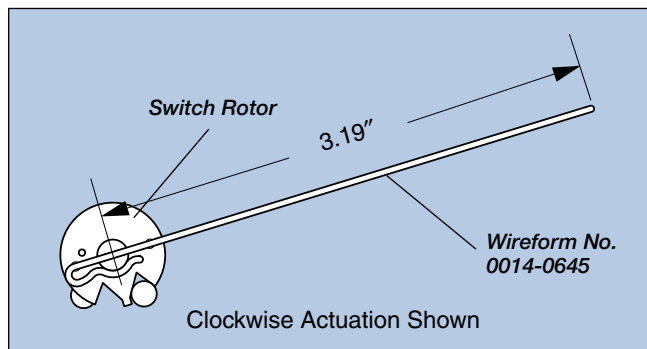
Series Prefix	Rating
E51	6 amp, 250VAC Silver Alloy Contacts
E53	0.1 amp, 125VAC Gold Crosspoint Contacts
Temperature Rating	-40° to +85°C
Flammability Rating	UL94HB

Electrical Specifications/Life

See electrical life chart on page 11-4.

Actuators

Wireform actuators are supplied unassembled for each switch. Wireforms may be readily assembled to switch rotor as shown.



Materials

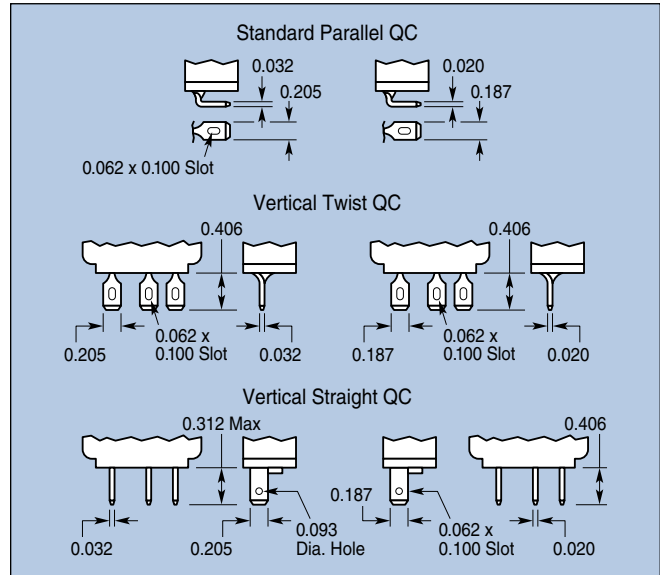
Case	General Purpose Phenolic
Terminal	Silver Plated Brass
Moving Blade	Brass
Contacts	Silver Alloy
Spring	Stainless Steel

Mounting

Recommended mounting screw size: #4-40 Round head
Recommended torque on screw: 4 inch lbs. max.

Terminals

All terminals are combination quick connect and solder.



Standard Parallel QC used on -00B and -00E (0.205 x 0.032)
Standard Parallel QC used on -00R and -00T (0.187 x 0.020)
Vertical Twist QC used on -50B and -50E (0.205 x 0.032)
Vertical Twist QC used on -50R and -50T (0.187 x 0.020)
Vertical Straight QC used on -60B and -60E (0.205 x 0.032)
Vertical Straight QC used on -60R and -60T (0.187 x 0.020)

Circuitry

This series is available in single pole double throw and single pole single throw either normally open or normally closed. In general normally open may be specified by adding 01 to suffix numbers, and normally closed by adding 02. For example E51-00B is double throw, E51-01B is normally open and E51-02B is normally closed.

How to Order

Select the current rating you need. Combine the corresponding Series/Prefix number with the appropriate suffix number for the switch type, circuitry and terminals you require.

Operating Characteristics

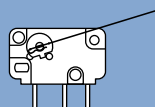
Standard Force	4.0 inch gms. max.
Overtravel	15° min.
Movement Differential	3° min.

Note: Special models and tooling capability available for custom wire form actuators.

Note: Additional operating forces available upon request. Consult factory.

E Series

Miniature Low Torque

Switch Type	Direction of Actuator		Terminals
 -00B/-00R	-00B	Clockwise	Standard Parallel 0.205"
	-00R	Clockwise	Standard Parallel 0.187"
 -00E/-00T	-00E	Counter Clockwise	Standard Parallel 0.205"
	-00T	Counter Clockwise	Standard Parallel 0.187"
 -50B/-50R	-50B	Clockwise	Vertical Twist 0.205"
	-50R	Clockwise	Vertical Twist 0.187"
 -50E/-50T	-50E	Counter Clockwise	Vertical Twist 0.205"
	-50T	Counter Clockwise	Vertical Twist 0.187"
 -60B/-60R	-60B	Clockwise	Vertical Straight 0.205"
	-60R	Clockwise	Vertical Straight 0.187"
 -60E/-60T	-60E	Counter Clockwise	Vertical Straight 0.205"
	-60T	Counter Clockwise	Vertical Straight 0.187"