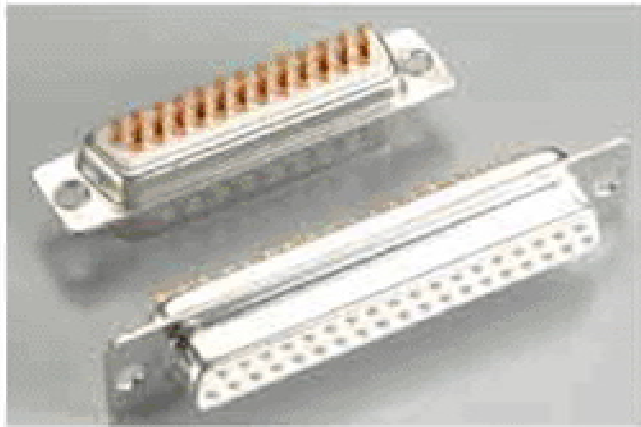


D-SUB SOLDER TYPE

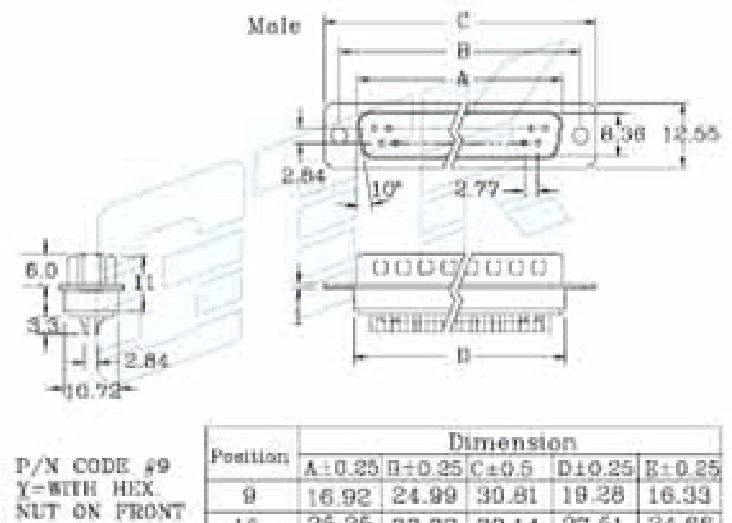
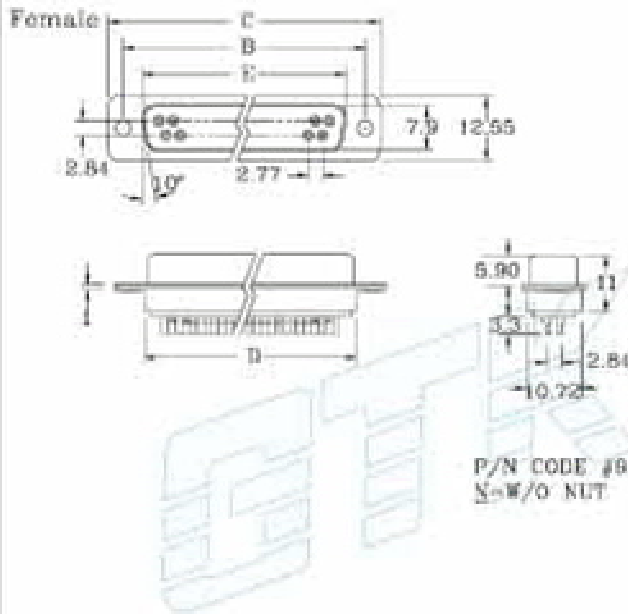


SPECIFICATIONS :

- *Contact Resistance : 30mΩ max. at DC 100mA
- *Insulator Resistance : 1000MΩ min. at DC 500V
- *Current Rating : 5 AMP

DIELECTRIC WITHSTANDING :

- *Voltage : AC 1000V For 1 minute
- *Operating Temperature : -55°C ~ +105°C
- *Contact : Brass Or Phosphor Bronze
- *Housing : PBT & 30% Glass Fiber (UL 94-0)



Position	Dimension				
	A±0.25	B±0.25	C±0.5	D±0.25	E±0.25
9	16.92	24.99	30.81	19.28	16.33
15	25.25	33.32	39.14	27.51	24.66
25	38.96	47.04	53.04	41.30	38.36
37	55.42	63.50	69.32	57.71	54.84
50	52.86	61.11	66.90	55.30	52.34

UNIT : mm

Ordering Information

D	E	09	P	T	W	I	N	T	S
1	2	3	4	5	6	7	8	9	10

1.SERIES NO (產品系列):
D = D-SUB SOLDER TYPE
(焊線式)

2.SHELL SIZE (外殼尺寸)
E = 09, A=15, B=25,
C=37, D=50

3.NO. OF PIN (端子數):
09, 15, 25, 37, 50

4.CONTACT TYPE (連接器類別):
P = MALE (公座)
S = FEMALE (母座)

5.SHELL PLATING (前殼電鍍):
T = TIN SHELL (鍍錫)
N = NICKEL (鍍鎳)
C = CHROMATED SHELL (鍍五彩)

6.OPTION ON INSULATOR (膠芯顏色):
B = BLUE (藍色)
K = BLACK (黑色)
W = WHITE (白色)

7.SHELL TYPE (外殼類別):
1 = DIMPLE FOR SHELL (外殼壓花)
PS: MALE TYPE ONLY
2 = W/O DIMPLE (外殼無壓花)

8.OPTION ON SCREW
N = W/O. NUT (無螺母)
Y = WITH HEX. NUT (4#40UNC)
ON FRONT (前引六角螺母)

9.CONTACT PLATED (端子電鍍)
T = TIN PLATED ON TERMINAL &
GOLD PLATED ON CONTACT (半金鍍)
G = ALL GOLD PLATED (全金)

10.PIN TYPE
S = STAMPED PIN (沖壓端子)
M = MACHINED PIN (車床端子)