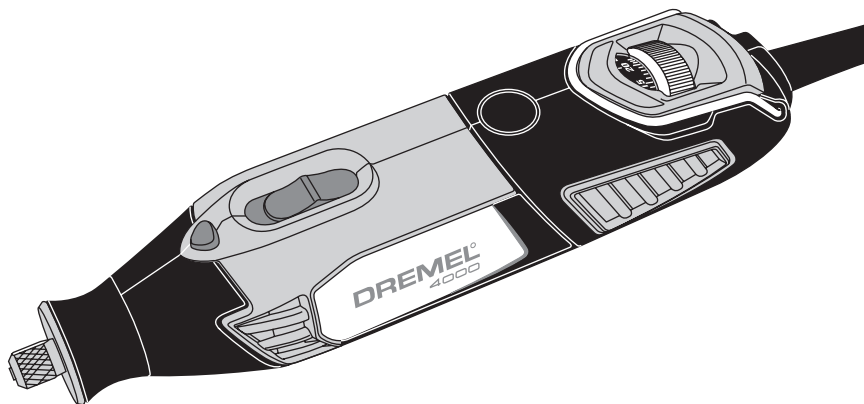
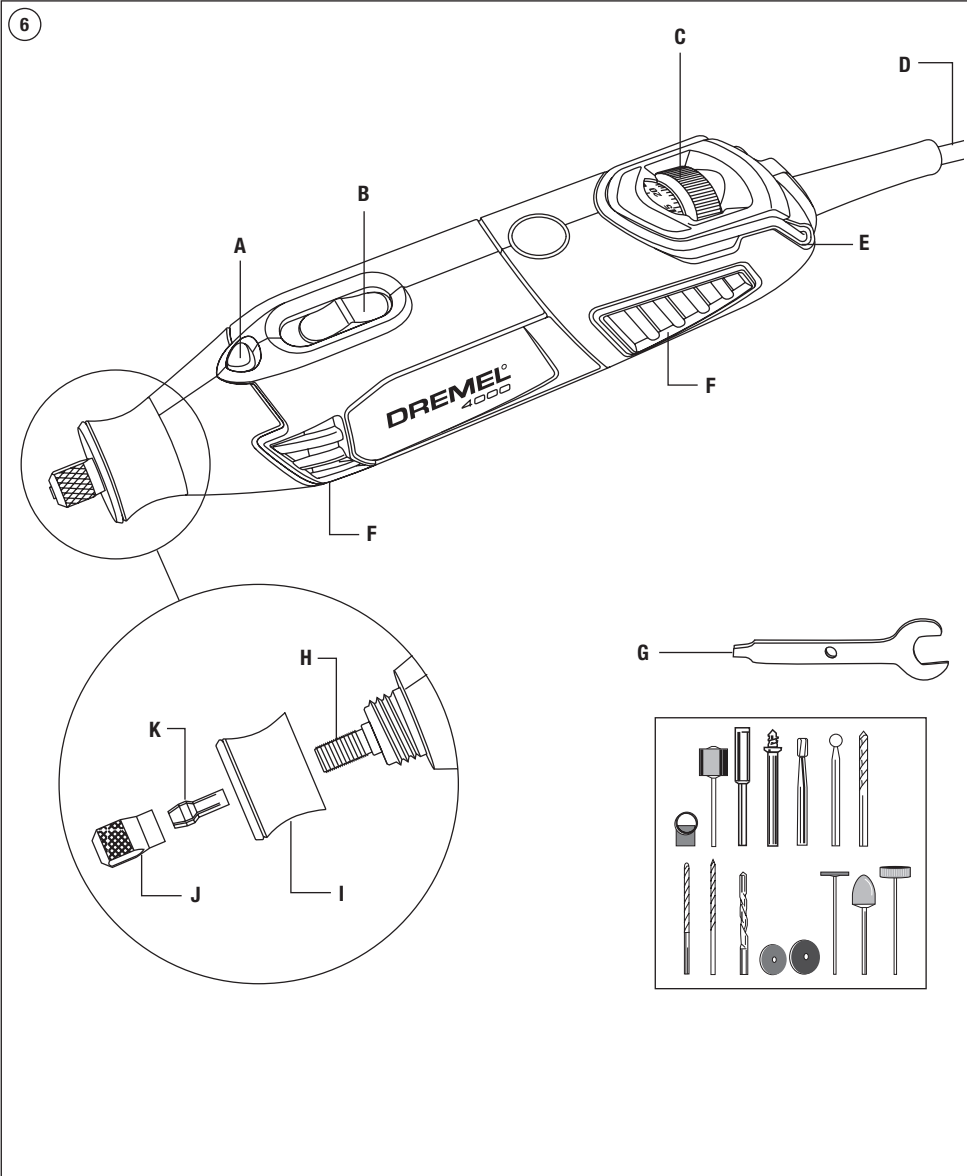


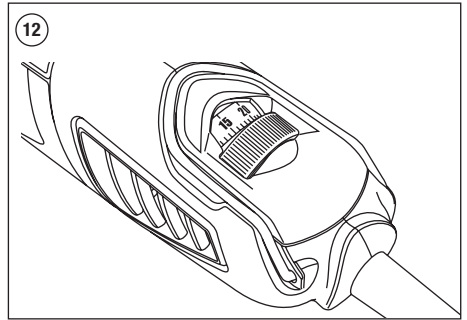
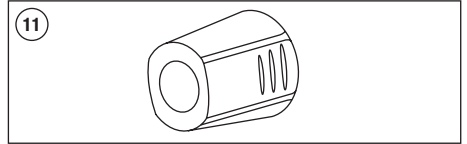
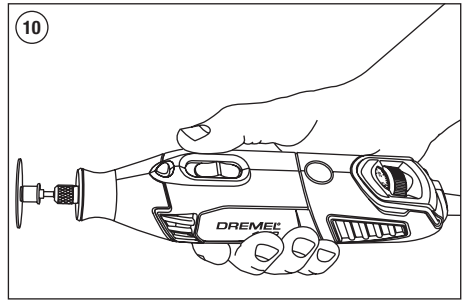
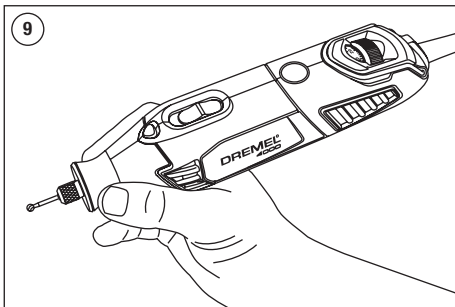
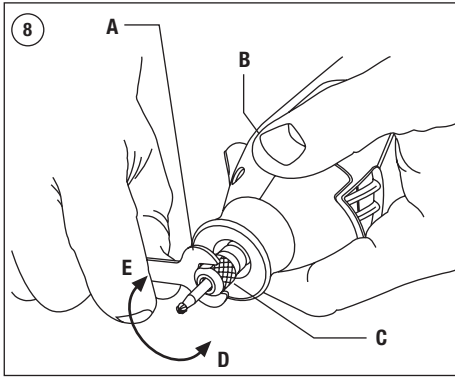
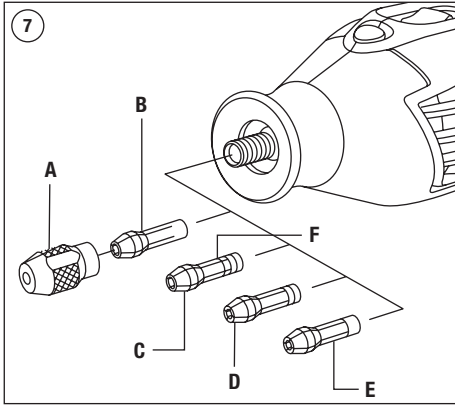
# DREMEL® 4000



<b>GB</b>	Original instructions	18	<b>NO</b>	Oversettelse av originalinstruksjonene	57
<b>DE</b>	Übersetzung der originalbedienungsanleitung	23	<b>FI</b>	Käännös alkuperäisistä ohjeista	63
<b>FR</b>	Traduction de la notice originale	29	<b>ET</b>	Algsete juhiste tõlge	68
<b>IT</b>	Traduzione delle istruzioni originali	35	<b>LT</b>	Originalių instrukcijų vertimas	73
<b>NL</b>	Vertaling van de originele gebruiksaanwijzing	41	<b>LV</b>	Sākotnējo norādījumu tulkojums	79
<b>DA</b>	Oversættelse af betjeningsvejledning	47	<b>AR</b>	ترجمة التعليمات الأصلية	85
<b>SV</b>	Översättning av originalinstruktioner	52			

**Dremel Europe  
The Netherlands**







Max RPM



	Max RPM									
105	35.000		■	■			■			
106	35.000		■	■			■			
107	35.000		■	■			■			
108	35.000		■	■			■			
110	35.000		■	■			■			
111	35.000		■	■			■			
113	35.000		■	■			■			
114	30.000		■	■			■			
115	30.000		■	■			■			
117	30.000		■	■			■			
118	30.000		■	■			■			
125	30.000		■	■			■			
134	30.000		■	■			■			
144	30.000		■	■			■			
191	30.000		■	■			■			
192	30.000		■	■			■			
193	30.000		■	■			■			
194	30.000		■	■			■			
196	30.000		■	■			■			
199	30.000		■	■			■			
403	15.000					■	■	■	■	■
404	15.000					■	■	■	■	■
405	15.000					■	■	■	■	■
407	35.000		■	■		■	■	■	■	■
408	35.000		■	■		■	■	■	■	■
409	35.000	402	■	■		■	■	■	■	■
414	20.000	401				■	■	■	■	■
420	35.000	402	■	■		■	■	■	■	■
422	20.000	401				■	■	■	■	■
423S	20.000	(SC)402				■	■	■	■	■
425	20.000	402				■	■	■	■	■
426	35.000	402	■	■		■	■	■	■	■
428	15.000					■	■	■	■	■
429	20.000	401				■	■	■	■	■
430	35.000		■	■		■	■	■	■	■
431	35.000		■	■		■	■	■	■	■
432	35.000		■	■		■	■	■	■	■
438	35.000		■	■		■	■	■	■	■
442	15.000					■	■	■	■	■
443	15.000					■	■	■	■	■
453	30.000	1453				■	■	■		
454	30.000	1453				■	■	■		
455	30.000	1453				■	■	■		
457	30.000	1453				■	■	■		
462	30.000					■	■	■		
502	35.000		■	■		■	■	■	■	■
504	35.000		■	■		■	■	■	■	■
511S	20.000	(SC)402	■	■						
512S	20.000	(SC)402	■	■						
516	20.000					■	■	■	■	■
520	20.000					■	■	■	■	■
530	15.000					■	■	■	■	■





Max RPM

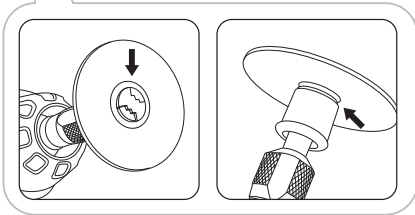
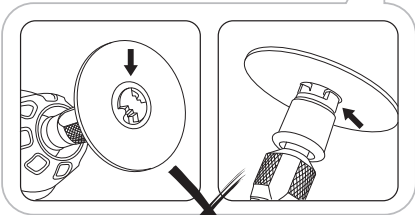
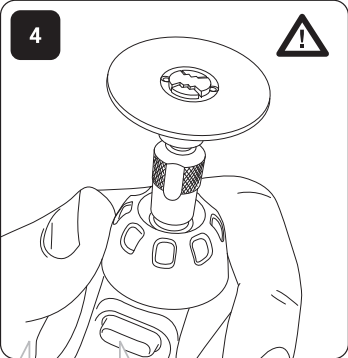
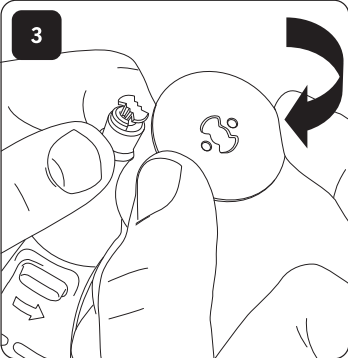
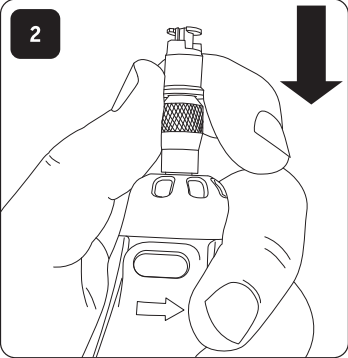
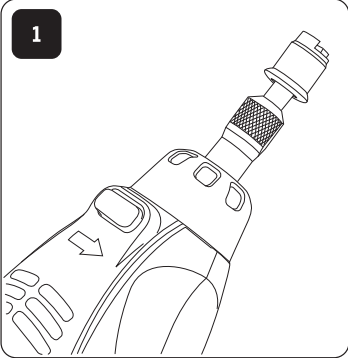


	Max RPM									
531	15.000					■	■	■	■	■
532	15.000					■	■	■	■	■
535	15.000								■	■
536	15.000								■	■
537	15.000								■	■
538	20.000					■				
540	35.000	402	■	■		■	■	■		■
542	35.000		■	■	■					
546	35.000	670	■	■						
561	35.000	565	■	■	■					
562	35.000	566								
569	20.000	568								
570	20.000	568								
612	35.000	231/335	■	■						
615	35.000	231/335	■	■						
640	35.000	231/335	■	■						
650	35.000	231/335	■	■						
652	35.000	231/335	■	■						
654	35.000	231/335	■	■						
655	35.000	231/335	■	■						
932	25.000					■	■	■	■	■
952	25.000					■	■	■	■	■
953	25.000					■	■	■	■	■
997	25.000					■	■	■	■	■
4485	35.000									
4486	35.000									
7103	25.000						■	■	■	■
7105	25.000						■	■	■	■
7122	25.000						■	■	■	■
7134	25.000						■	■	■	■
7144	25.000						■	■	■	■
8153	25.000					■	■	■	■	■
8193	20.000					■	■	■	■	■
8215	20.000					■	■	■	■	■
9901	30.000					■	■	■		
9903	30.000					■	■	■		
9905	30.000					■	■	■		
9910	30.000					■	■	■		
9911	30.000					■	■	■		
9931	35.000		■	■	■		■			
9934	35.000		■	■	■		■			
9936	35.000		■	■	■		■			
83322	25.000									
84922	25.000									
85422	20.000									
85602	20.000									
SC406	35.000	SC402	■	■		■	■	■		■
SC409	35.000	SC402	■	■		■	■	■		■
SC456	35.000	SC402	■	■		■	■	■		■
SC476	35.000	SC402								
SC544	35.000	SC402	■	■	■					
SC545	35.000	SC402								



A series of horizontal lines for writing, with small black squares placed at various intervals to indicate the start of new lines or sections. The squares are arranged in several distinct patterns: a vertical column on the left, a horizontal row, a grid-like pattern, and several vertical columns of varying lengths.

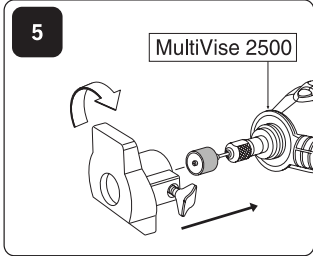
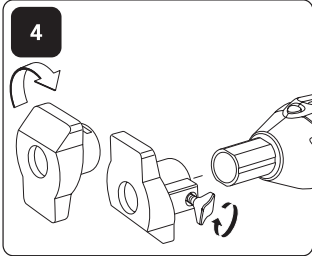
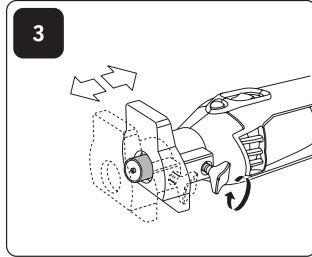
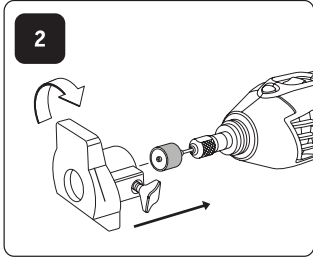
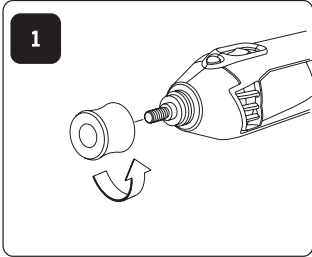
# EZ SpeedClic™



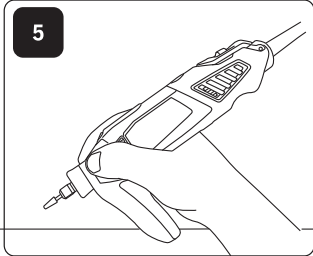
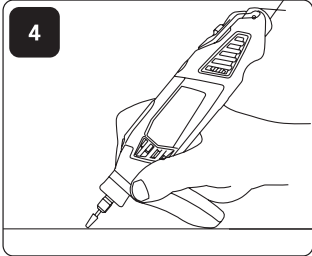
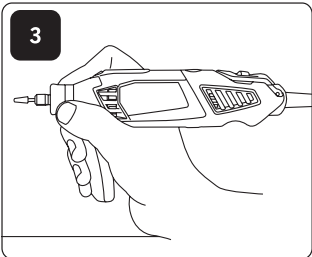
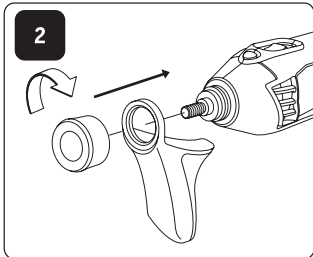
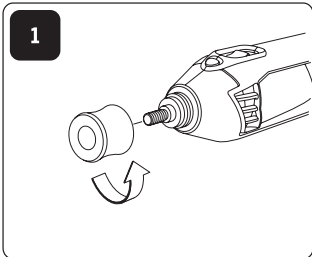
**OK**



# 576



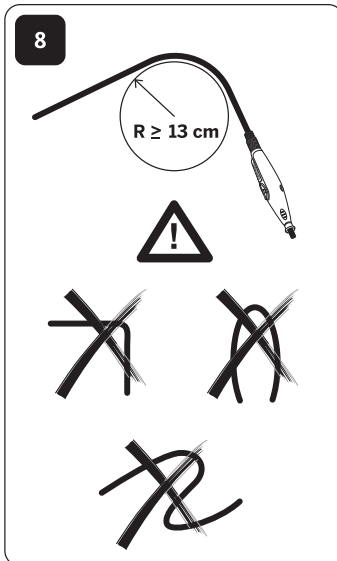
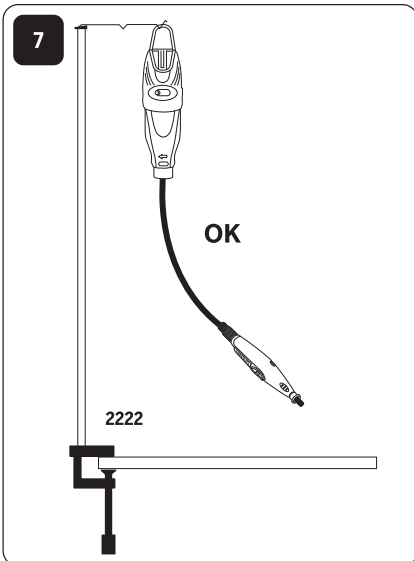
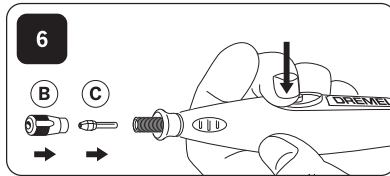
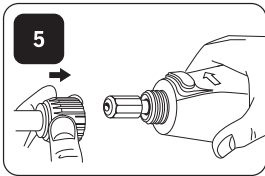
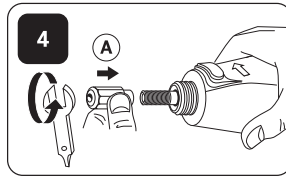
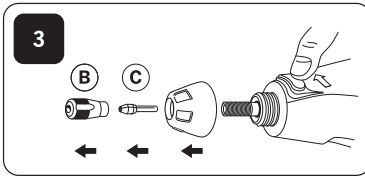
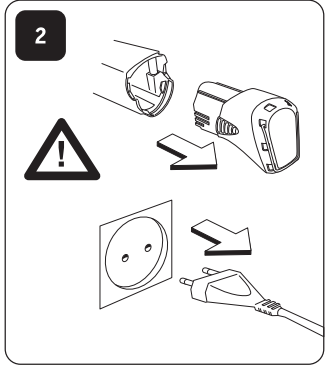
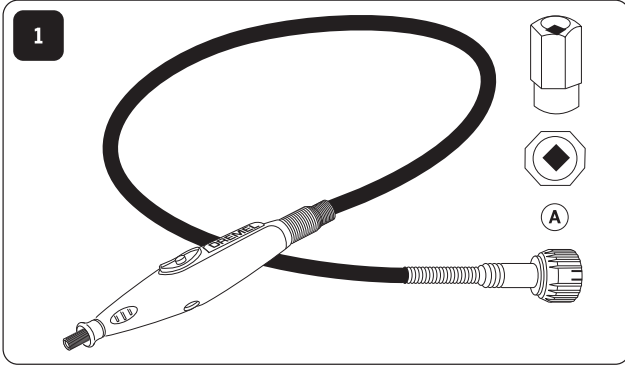
# 577



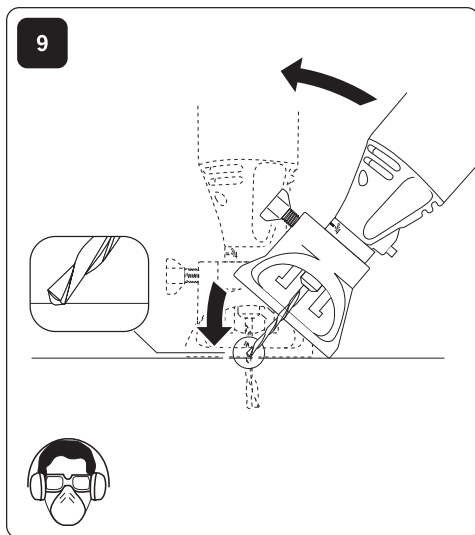
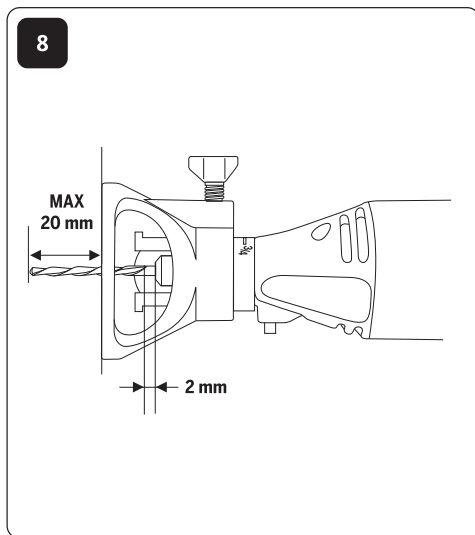
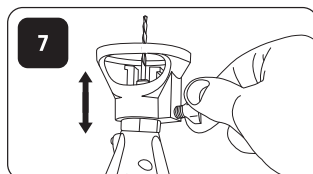
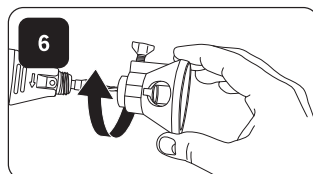
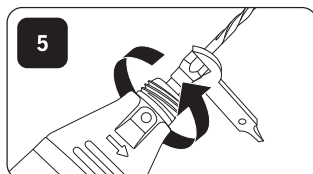
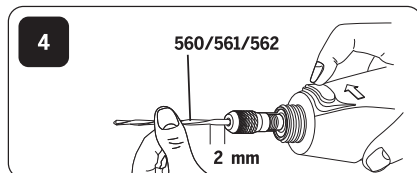
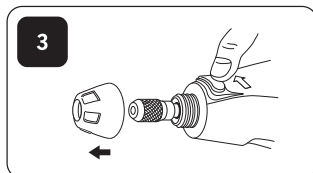
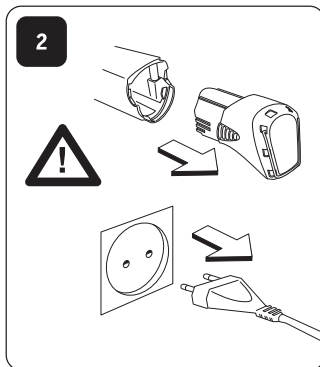
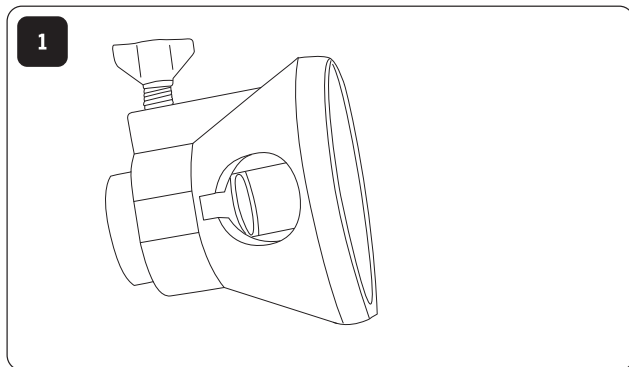


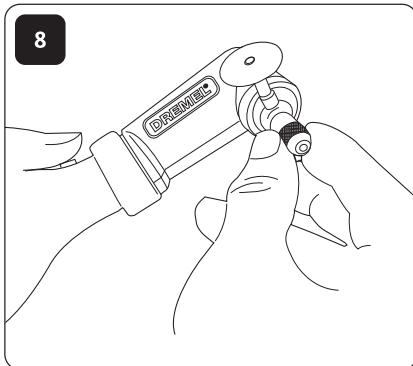
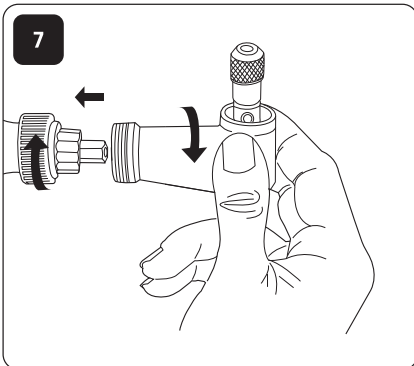
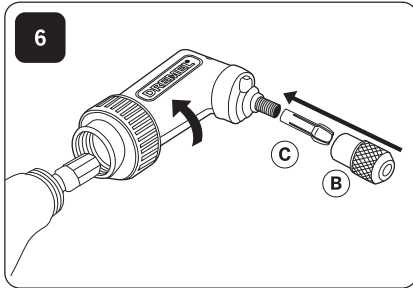
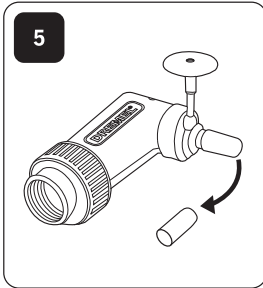
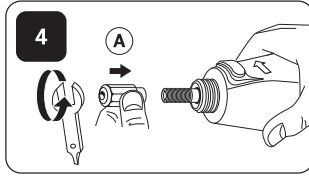
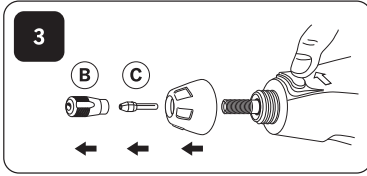
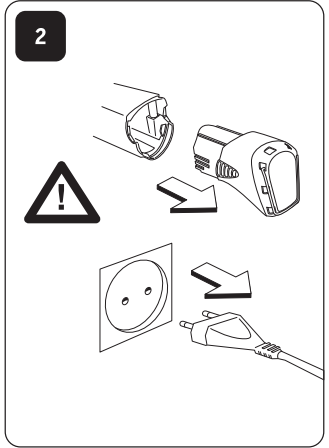
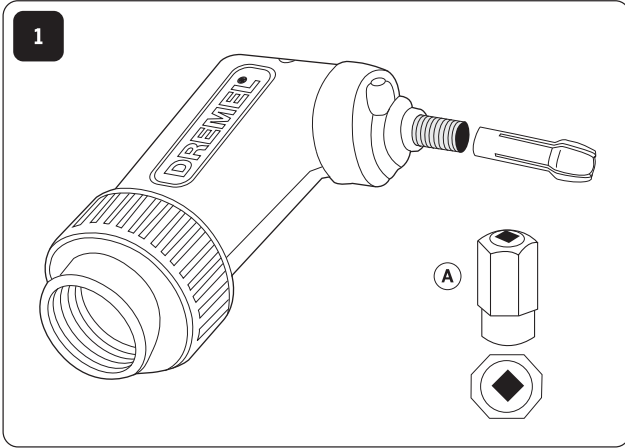
- GB** For optimum performance allow your new Flexshaft to run at high speed on your rotary tool in a vertical position for 2 minutes before use.
- D** Um die Leistung der biegsamen Welle zu erhöhen, unbedingt vor Erstgebrauch 2 Minuten bei hoher Geschwindigkeit in vertikaler Position laufen lassen, bevor Sie damit arbeiten.
- F** Pour obtenir les meilleures performances de votre nouvel arbre flexible, il est important de le router en le faisant tourner à vide, à la vitesse maximum, pendant 2 minutes en position verticale.
- I** Per ottimizzare le performance del vostro nuovo albero flessibile fatelo girare ad alta velocità sul vostro miniutensile in posizione verticale per due minuti prima di usarlo.
- NL** Laat uw nieuwe flexibele as voor een optimale prestatie gedurende 2 minuten voor gebruik in verticale positie op hoge snelheid op uw rotatiegereedschap lopen.
- DK** For optimal udnyttelse af den fleksible aksel, anbefales det at den kører ved høj hastighed uden belastning i 2 minutter inden brug.
- S** Kör det roterande verktyget i hög hastighet med den nya böjliga axeln i lodrät position i två minuter innan du använder det för att få bästa prestanda.
- N** For å oppnå optimal ytelse bør du før bruk kjøre den fleksible slangen på full hastighet med det roterende verktøyet i loddrett stilling i 2 minutter.
- FIN** Parhaan mahdollisen käyttötehon varmistamiseksi anna uuden taipuisan akselin käydä suurella nopeudella korkeanopeuksiseen työkaluun kiinnitetynä pystysuorassa asennossa 2 minuutin ajan ennen käyttöä.
- EST** Optimaalse jõudluse tagamiseks laske oma uuel Flexshaft-seadmel enne kasutamist 2 minutit suurel kiirusel vertikaalasendis töötada.
- LT** Kad veiktu optimaliai, prieš pirmąkart naudodami leiskite ant sukamojo įrankio uždegti „Flexshaft“ dideliu greičiu vertikaliai veikti 2 minutes.
- LV** Lai nodrošinātu optimālu ierīces darbību, divas minūtes pirms lietošanas darbiniet jauno, elastīgo skrūvvrāpstu uz rotējošā rīka vertikālā stāvoklī.
- AR** للحصول على الأداء الأمثل، اترك محور Flexshaft الجديد الخاص بك يعمل على سرعة مرتفعة على الأداة الدوارة في وضع عمودي لمدة دقيقتين بعد الاستخدام.

# 225

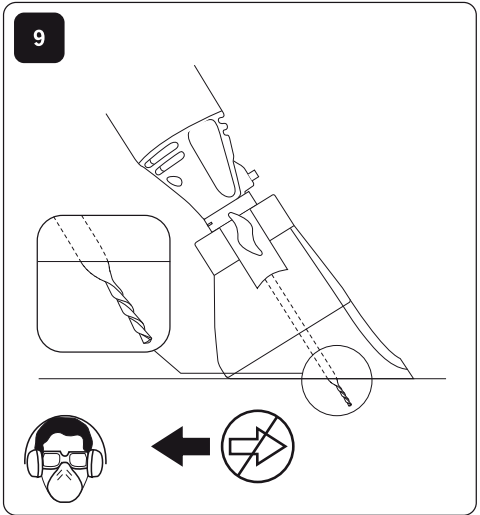
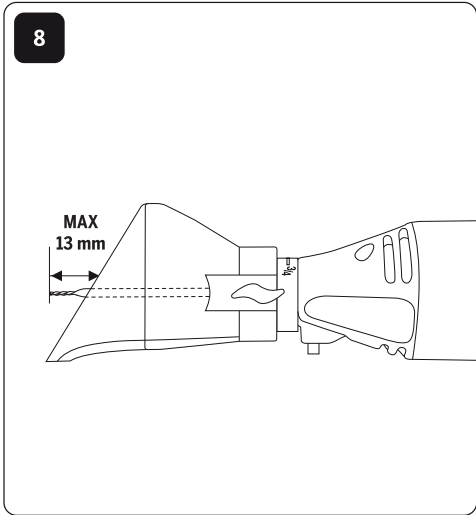
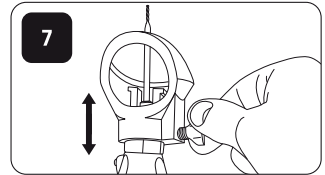
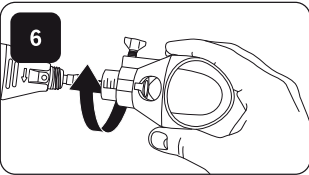
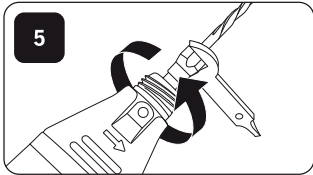
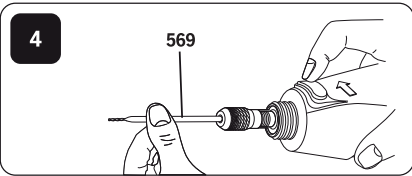
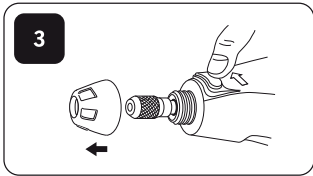
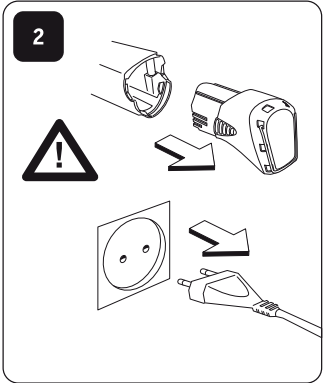
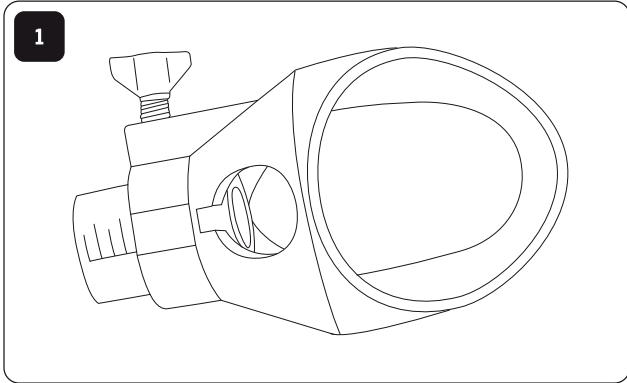


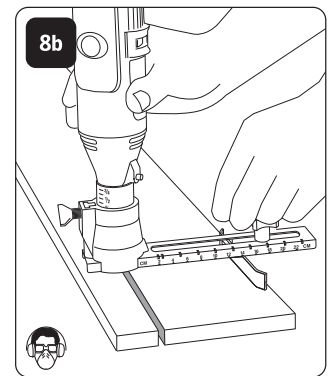
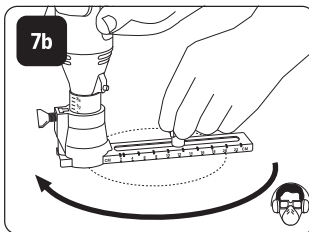
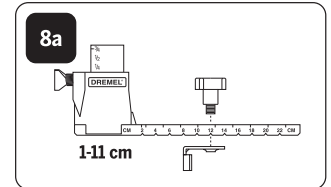
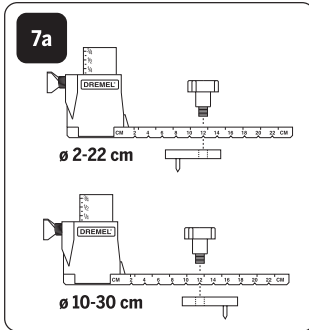
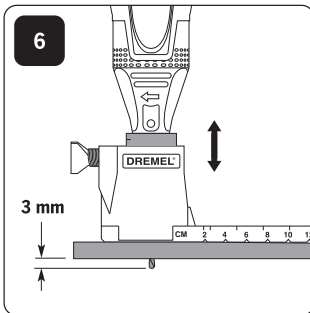
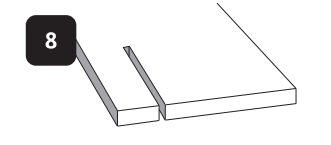
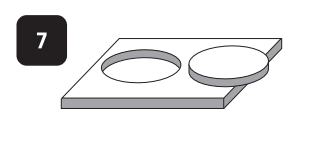
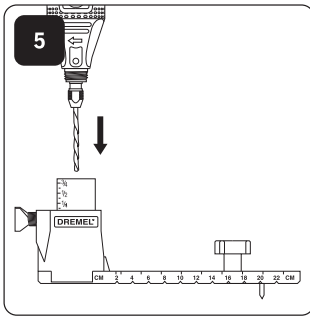
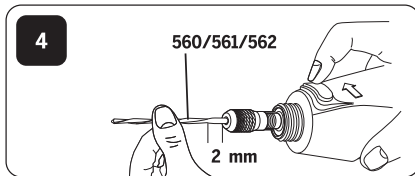
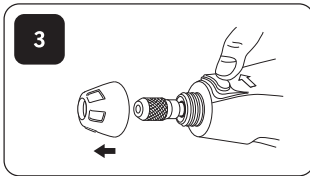
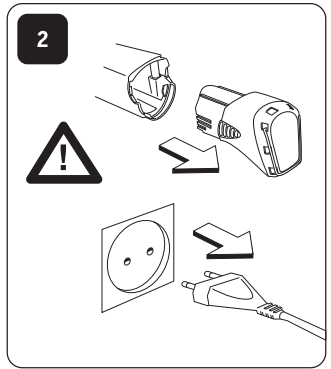
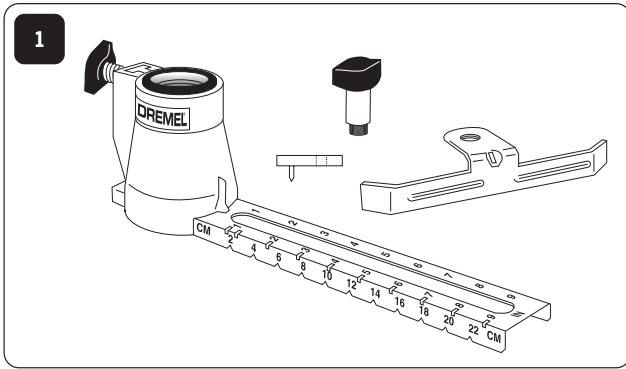
# 565/566





# 568





**(GB)**

**CE DECLARATION OF CONFORMITY** We declare under our sole responsibility that this product is in conformity with the following standards or standardized documents: EN60745, EN55014, in accordance with the provisions of the directives 2006/95/EC, 2004/108/EC, 98/37/EC (until Dec. 28, 2009), 2006/42/EC (from Dec. 29, 2009 on).

**NOISE/VIBRATION** Measured in accordance with EN60745 the sound pressure level of this tool is 78 dB(A) and the sound power level 89 dB(A) (standard deviation: 3 dB), and the vibration \* m/s<sup>2</sup> (hand-arm method).

**Technical file at:** SKIL Europe BV (PT-SEU/PJE), 4825 BD Breda, NL.

**(DE)**

**CE KONFORMITÄTSEKLRÄUNG** Wir erklären in alleiniger Verantwortung, dass dieses Produkt mit den folgenden Normen oder normativen Dokumenten übereinstimmt: EN60745, EN55014, gemäß den Bestimmungen der Richtlinien 2006/95/EG, 2004/108/EG, 98/37/EG (bis 28.12.2009), 2006/42/EG (ab 29.12.2009). **GERÄUSCH/VIBRATION** Gemessen gemäß EN60745 beträgt der Schalldruckpegel dieses Gerätes 78 dB(A) und der Schalleistungspegel 89 dB(A) (Standard- abweichung: 3 dB), und die Vibration \* m/s<sup>2</sup> (Hand-Arm Methode).

**Technische Unterlagen bei:** SKIL Europe BV (PT-SEU/PJE), 4825 BD Breda, NL.

**(FR)**

**CE DÉCLARATION DE CONFORMITÉ** Nous déclarons sous notre propre responsabilité que ce produit est en conforme aux normes ou documents normalisés suivants: EN60745, EN55014, conforme aux réglementations 2006/95/CE, 2004/108/CE, 98/37/CE (jusqu'au 28.12.2009), 2006/42/CE (à partir du 29.12.2009).

**BRUIT/VIBRATION** Mesuré selon EN60745 le niveau de la pression sonore de cet outil est 78 dB(A) et le niveau de la puissance sonore 89 dB(A) (déviations standard: 3 dB), et la vibration \* m/s<sup>2</sup> (méthode main-bras).

**Dossier technique auprès de:** SKIL Europe BV (PT-SEU/PJE), 4825 BD Breda, NL.

**(IT)**

**CE DICHIARAZIONE DI CONFORMITÀ** Dichiaro, assumendo la piena responsabilità di tale dichiarazione, che il prodotto è conforme alle seguenti normative e ai relativi documenti: EN60745, EN55014 in base alle prescrizioni delle direttive 2006/95/EG, 2004/108/EG, 98/37/EG (fino al 28.12.2009), 2006/42/EG (a partire dal 29.12.2009).

**RUMOROSITÀ/VIBRAZIONE** Misurato in conformità al EN60745 il livello di pressione acustica di questo utensile è 78 dB(A) ed il livello di potenza acustica 89 dB(A) (deviazione standard: 3 dB), e la vibrazione \* m/s<sup>2</sup> (metodo mano-braccio).

**Fascicolo tecnico presso:** SKIL Europe BV (PT-SEU/PJE), 4825 BD Breda, NL.

**(NL)**

**CE CONFORMITEITSVERKLARING** Wij verklaren, dat dit product voldoet aan de volgende normen of normatieve documenten: EN60745, EN55014, overeenkomstig de bepalingen van de richtlijnen 2006/95/EG, 2004/108/EG, 98/37/EG (tot 28-12-2009), 2006/42/EG (vanaf 29-12-2009).

**GELUID/VIBRATIE** Gemeten volgens EN60745 bedraagt het geluidsdrukniveau van deze machine 78 dB(A) en het geluidsvermogen-niveau 89 dB(A) (standaard deviatie: 3 dB), en de vibratie \* m/s<sup>2</sup> (hand-arm methode).

**Technisch dossier bij:** SKIL Europe BV (PT-SEU/PJE), 4825 BD Breda, NL.

**(DA)**

**CE KONFORMITETSEKLRÄNING** Vi erklærer under almindeligt ansvar, at dette produkt er i overensstemmelse med følgende normer eller normative dokumenter: EN60745, EN55014, i henhold til bestemmelserne i direktivene 2006/95/EF, 2004/108/EF, 98/37/EF (indtil 28.12.2009), 2006/42/EF (fra 29.12.2009).

**STØJ/VIBRATION** Måles efter EN60745 er lydtrykniveau af dette værktøj 78 dB(A) og lydeffektniveau 89 dB(A) (standard deviation: 3 dB), og vibrationsniveauet \* m/s<sup>2</sup> (hånd-arm metoden).

**Technisk dossier hos:** SKIL Europe BV (PT-SEU/PJE), 4825 BD Breda, NL.

**(SV)**

**CE KONFORMITETSFÖRKLÄRING** Vi intygar och ansvarar för, att denna produkt överensstämmer med följande norm och dokument: EN60745, EN55014, enl. bestämmelser och riktlinjerna 2006/95/EG, 2004/108/EG, 98/37/EG (till 28.12.2009), 2006/42/EG (from 29.12.2009).

**LJUD/VIBRATION** Ljudtrycksnivån som uppmätts enligt EN60745 är på denna maskin 78 dB(A) och ljudeffektnivån 89 dB(A) (standard deviation: 3 dB), och vibration \* m/s<sup>2</sup> (hand-arm metod).

**Technisk tillverkningsdokumentation finns hos:** SKIL Europe BV (PT-SEU/PJE), 4825 BD Breda, NL.

**(NO)**

**CE SAMSVARSEKLRÄNING** Vi erklærer at det er under vårt ansvar at dette produkt er i samsvar med følgende standarder eller standard-dokumenter: EN60745, EN55014, i samsvar med reguleringer 2006/95/EF, 2004/108/EF, 98/37/EF (fram til 28.12.2009), 2006/42/EF (fra 29.12.2009).

**STØY/VIBRASJON** Målt ifølge EN60745 er lydtryknivået av dette verktøyet 78 dB(A) og lydstryknivået 89 dB(A) (standard deviasjon: 3 dB), og vibrasjonsnivået \* m/s<sup>2</sup> (hånd-arm metode).

**Techniske underlag hos:** SKIL Europe BV (PT-SEU/PJE), 4825 BD Breda, NL.

**(FI)**

**CE TODISTUS STANDARDINMUKAISUUEDESTA** Todistamme täten ja vastaamme yksin siitä, että tämä tuote on alalueteltujen standardien ja standardomaisasiakirjojen vaatimusten mukainen EN60745, EN55014, seuraavien sääntöjen mukaisesti 2006/95/ETY, 2004/108/ETY, 98/37/ETY (28.12.2009 asti), 2006/42/EY (29.12.2009 alkaen).

**MELU/TÄRINÄ** Mitattuna EN60745 mukaan työkalun melutaso on 78 dB(A) ja yleensä työkalun äänen voimakkuus on 89 dB(A) (keskihajonta: 3 dB), ja tärinän voimakkuus \* m/s<sup>2</sup> (käsi-käsivarsi metodi).

**Tekninen tiedosto kohdasta:** SKIL Europe BV (PT-SEU/PJE), 4825 BD Breda, NL.

**(ET)**

**CE VASTAVUSEKLRÄNTSIOON** Kinnitame ainvuustutajana, et see toode vastab järgmistele standarditele või normdokumentidele: EN60745, EN55014 vastavalt direktiividele 2006/95/EÜ, 2004/108/EÜ, 98/37/EÜ (kuni 28.12.2009), 2006/42/EÜ (alates 29.12.2009) nõuetele.

**MÜRA/VIBRATSIOON** Vastavalt koostöös normiga EN60745 läbi viidud mõõtmistele on antud seadme helirõhk 78 dB(A) jahelutugevus 89 dB(A) (standardkõrvalekalle: 3 dB), ja vibratsioon \* m/s<sup>2</sup> (kää-randme-meetod).

**Tehniline toimik saadaval aadressil:** SKIL Europe BV (PT-SEU/PJE), 4825 BD Breda, NL.

**(LT)**

**CE ATITIKTIES DEKLARACIJA** Mes atsakingai pareiškiame, kad šis gaminyas atitinka tokius standartus ir normatyvinius dokumentus: EN60745, EN55014 pagal reglamentų 2006/95/EB, 2004/108/EB, 98/37/EB (iki 2009-12-28), 2006/42/EB (nuo 2009-12-29) nuostatas.

**TRIUŠKŠINGUMAS/VIBRACIJA** Šio prietaiso triukšmingumas buvo išmatuotas pagal EN60745 reikalavimus keliamo triukšmo garso slėgio lygis siekia 78 dB(A) ir akustinio galimumo lygis 89 dB(A) (standartinis nuokrypis: 3 dB), ir vibracijos pagreitis rankos plaštakos srityje tipiniu atveju yra mažesnis, kaip \* m/s<sup>2</sup>.

**Techninė byla laikoma:** SKIL Europe BV (PT-SEU/PJE), 4825 BD Breda, NL.

**(LV)**

**CE DEKLARĀCIJA PAR ATBILSTĪBU STANDARTIEM** Mēs ar pilnu atbildību paziņojam, ka šis izstrādājums atbilst standartiem vai standartizācijas dokumentiem EN60745, EN55014 un ir saskaņā ar direktīvām 2006/95/ES, 2004/108/ES, 98/37/ES (līdz 28.12.2009) un 2006/42/ES (no 29.12.2009).

**TROKŠMINGSUMS/VIBRĀCIJA** Saskaņā ar standartu EN60745 noteiktās instrumenta radītā trokšņa skaņas spiediena līmenis ir 78 dB(A) un skaņas jaudas līmenis ir 89 dB (A) (pie tipiskās izkliedes: 3 dB), un vibrācijas intensitāte ir \* m/s<sup>2</sup> (strādājot rokas rēlīmā).

**Tehniskā lieta no:** SKIL Europe BV (PT-SEU/PJE), 4825 BD Breda, NL.

**(AR)**

إعلان مطابقة المعايير الأوروبية (CE) إننا نقر تحت مسئوليتنا الخاصة بأن هذا المنتج يتوافق مع المعايير أو الوثائق القياسية التالية: EN60745, EN55014, وفقاً للشروط الواردة في التوجيهات 2006/95/EC, 2004/108/EC, 98/37/EC (حتى 28 ديسمبر 2009), 2006/42/EC (من 29 ديسمبر 2009). **الضوضاء/الاهتزاز** كما يتفق مع المعيار EN60745 ويعمل مستوى ضغط الصوت لهذه الأداة إلى 78 ديسيبل (أ) ويعمل مستوى طاقة الصوت إلى 89 ديسيبل (أ) (الانحراف المعياري: 3 ديسيبل) والاهتزاز \* متر/ثانية مربعة (طريقة ذراع اليد).

SKIL Europe BV (PT-SEU/PJE), 4825 BD Breda, NL. الملف الفني على: SKIL Europe BV (PT-SEU/PJE), 4825 BD Breda, NL.



Skil Europe B.V. A. v.d. Kloot



\*  
**4000**

[5]

[1]	2,9 m/s <sup>2</sup>	1,5 m/s <sup>2</sup>
[2]	2,6 m/s <sup>2</sup>	1,5 m/s <sup>2</sup>
[3]	7,2 m/s <sup>2</sup>	1,5 m/s <sup>2</sup>
[4]	11,4 m/s <sup>2</sup>	2,8 m/s <sup>2</sup>

	[1]	[2]	[3]	[4]	[5]
<b>(GB)</b>	While drilling	While polishing	While wire-brushing	While sanding	Uncertainty (K)
<b>(DE)</b>	Beim Bohren	Beim Polieren	Beim Abbürsten	Beim Sandpapiers Schleifen	Unsicherheit (K)
<b>(FR)</b>	Au cours du perçage	Polissage	Brossage	Au cours du ponçage	Incertitude (K)
<b>(IT)</b>	In perforazione	In lucidatura	In spazzolatura	In sabbatura	Non noto (K)
<b>(NL)</b>	Bij het boren	Tijdens het polijsten	Tijdens het bewerken met staalborstel	Bij het schuren	Onzekerheid (K)
<b>(DA)</b>	Under boringen	Ved polering	Ved stålborstning	Under slibningen	Usikkerhed (K)
<b>(SV)</b>	Vid borning	Vid polering	Vid arbeten med stålborste	Vid sandpappersslipning	Osäkerhet (K)
<b>(NO)</b>	Under drilling	Ved polering	Ved stålborsting	Under sliping med sandpapir	Usikkert (K)
<b>(FI)</b>	Porattaessa	Kiillotettaessa	Käytettäessä teräsharjaa	Hiottaessa	Epävarmuus (K)
<b>(ET)</b>	Puurimisel	Poleerimisel	Terasharjamisel	Lihvimisel	Määramatus (K)
<b>(LT)</b>	Kai gręžiama	Poliruoiant	Šveičiant vieliniu šepėčiu	Kai šlifuojama	Neaiškumas (K)
<b>(LV)</b>	Urbšanas laikā	Pulējot	Pulējot ar metāla suku	Slīpēšanas laikā	Neskaidrības gadījumā (K)
<b>(AR)</b>	أثناء الحفر	أثناء الصقل	أثناء التنظيف بالفرشاة المملكية	أثناء الصنفرة بالرمل	الشك (K)



## **⚠ WARNING READ ALL SAFETY WARNINGS AND ALL INSTRUCTIONS.**

### (PICTURE 1)

Failure to follow the warnings and instructions may result in electric shock, fire and/or serious injury.

**Save all warnings and instructions for future reference.**

The term "power tool" in the warnings refers to your mains-operated (corded) power tool or battery-operated (cordless) power tool.

## WORK AREA SAFETY

- Keep work area clean and well lit. *Cluttered and dark areas invite accidents.*
- Do not operate power tools in explosive atmospheres, such as in the presence of flammable liquids, gases or dust. *Power tools create sparks which may ignite the dust or fumes.*
- Keep children and bystanders away while operating a power tool. *Distractions can cause you to lose control.*

## ELECTRICAL SAFETY

- Power tool plugs must match the outlet. Never modify the plug in any way. Do not use any adapter plugs with earthed (grounded) power tools. *Unmodified plugs and matching outlets will reduce risk of electric shock.*
- Avoid body contact with earthed or grounded surfaces such as pipes, radiators, ranges and refrigerators. *There is an increased risk of electric shock if your body is earthed or grounded.*
- Do not expose power tools to rain or wet conditions. *Water entering a power tool will increase the risk of electric shock.*
- Do not abuse the cord. Never use the cord for carrying, pulling or unplugging the power tool. Keep cord away from heat, oil, sharp edges or moving parts. *Damaged or tangled cords increase the risk of electric shock.*
- When operating a power tool outdoors, use an extension cord suitable for outdoor use. *Use of a cord suitable for outdoor use reduces the risk of electric shock.*
- If operating a power tool in a damp location is unavoidable, use an earth leakage circuit breaker. *Use of an earth leakage circuit breaker reduces the risk of electric shock.*

## PERSONAL SAFETY

- Stay alert, watch what you are doing and use common sense when operating a power tool. Do not use a power tool while you are tired or under the influence of drugs, alcohol or medication. *A moment of inattention while operating power tools may result in serious personal injury.*

- 


 Use safety equipment. Always wear eye protection. Safety equipment such as dust mask, non-skid safety shoes, hard hat, or hearing protection used for appropriate conditions will reduce personal injuries. (PICTURE 2 + 3 + 4)

- Prevent unintentional starting. Ensure the switch is in the off-position before connecting to power source and/or battery pack, picking up or carrying the tool. *Carrying power tools with your finger on the switch or energising power tools that have the switch on invites accidents.*
- Remove any adjusting key or wrench before switching the power tool on. *A wrench or a key left attached to a rotating part of the power tool may result in personal injury.*
- Do not overreach. *Keep proper footing and balance at all times. This enables better control of the power tool in unexpected situations.*
- Dress properly. *Do not wear loose clothing or jewellery. Keep your hair, clothing and gloves away from moving parts. Loose clothes, jewellery or long hair can be caught in moving parts.*
- If devices are provided for the connection of dust extraction and collection facilities, ensure these are connected and properly used. *Use of these devices can reduce dust related hazards.*

## POWER TOOL USE AND CARE

- Do not force the power tool. Use the correct power tool for your application. *The correct power tool will do the job better and safer at the rate for which it was designed.*
- Do not use the power tool if the switch does not switch it on and off. *Any power tool that cannot be controlled with the switch is dangerous and must be repaired.*
- Disconnect the plug from the power source before making any adjustments, changing accessories, or storing power tools. *Such preventive safety measures reduce the risk of starting the power tool accidentally.*
- Store idle power tools out of the reach of children and do not allow persons unfamiliar with the power tool or these instructions to operate the power tool. *Power tools are dangerous in the hands of untrained users.*
- Maintain power tools. Check for misalignment or binding of moving parts, breakage of parts and any other condition that may affect the power tools operation. If damaged, have the power tool repaired before use. *Many accidents are caused by poorly maintained power tools.*
- Keep cutting tools sharp and clean. *Properly maintained cutting tools with sharp cutting edges are less likely to bind and are easier to control.*
- Use the power tool, accessories and tool bits etc., in accordance with these instructions, taking into account the working conditions and the work to be performed. *Use of the power tool for operations different from those intended could result in a hazardous situation.*

**⚠ WARNING** Do not work with materials containing asbestos (asbestos is considered carcinogenic).

**⚠ WARNING** Take protective measures when during work dust can develop that is harmful to one's health, combustible or explosive (some dusts are considered carcinogenic); wear a dust mask and work with dust/chip extraction when connectable.

---

## SERVICE

---

- a. Have your power tool serviced by a qualified repair person using only identical replacement parts. *This will ensure that the safety of the power tool is maintained.*

## SAFETY WARNINGS COMMON FOR GRINDING, SANDING, WIRE BRUSHING, POLISHING OR ABRASIVE CUTTING-OFF OPERATIONS

- a. This power tool is intended to function as a grinder, sander, wire brush, polisher or cut-off tool. Read all safety warnings, instructions, illustrations and specifications provided with this power tool. *Failure to follow all instructions listed below may result in electric shock, fire and/or serious injury.*
- b. Do not use accessories which are not specifically designed and recommended by the tool manufacturer. *Just because the accessory can be attached to your power tool, it does not assure safe operation.*
- c. The rated speed of the accessory must be at least equal to the maximum speed marked on the power tool. *Accessories running faster than their rated speed can fall apart.*
- d. The outside diameter and the thickness of your accessory must be within the capacity rating of your power tool. *Incorrectly sized accessories cannot be adequately guarded or controlled.*
- e. The arbour size of wheels, flanges, backing pads or any other accessory must properly fit the spindle of the power tool. *Accessories with arbour holes that do not match the mounting hardware of the power tool will run out of balance, vibrate excessively and may cause loss of control.*
- f. Do not use a damaged accessory. Before each use inspect accessories such as abrasive wheels for chips and cracks, backing pads for cracks, tear or excess wear, and wire brushes for loose or cracked wires. If the power tool or accessory is dropped, inspect for damage or install an undamaged accessory. After inspecting and installing an accessory, position yourself and bystanders away from the plane of the rotating accessory and run the power tool at maximum no load speed for one minute. *Damaged accessories will normally break apart during this test time.*
- g. Wear personal protective equipment. Depending on application, use face shield, safety goggles or safety glasses. As appropriate, wear dust mask, hearing protectors, gloves and shop apron capable of stopping small abrasive or workpiece fragments. *The eye protection must be capable of stopping flying debris generated by various operations. The dust mask or respirator must be capable of filtering particles generated by your operation. Prolonged exposure to high intensity noise may cause hearing loss.*
- h. Keep bystanders a safe distance away from work area. Anyone entering the work area must wear personal protective equipment. *Fragments of the workpiece or of a broken accessory may fly away and cause injury beyond the immediate area of operation.*

- i. Hold the power tool only by the insulated gripping surfaces when performing an operation where the cutting tool may contact hidden wiring or its own power cord. *Contact with a "live" wire will also make exposed metal parts of the power tool "live" and shock the operator.*
- j. Position the cord clear of the spinning accessory. *If you lose control, the cord may be cut or snagged and your hand or arm may be pulled into the spinning accessory.*
- k. Never lay the power tool down until the accessory has come to a complete stop. *The spinning accessory may grab the surface and pull the power tool out of your control.*
- l. Do not run the power tool while carrying it at your side. *Accidental contact with the spinning accessory could snag your clothing, pulling the accessory into your body.*
- m. Regularly clean the power tool's air vents. *The motor's fan will draw the dust inside the housing and excessive accumulation of powdered metal may cause electrical hazards.*
- n. Do not operate the power tool near flammable materials. *Sparks could ignite these materials.*
- o. Do not use accessories that require liquid coolants. *Using water or other liquid coolants may result in electrocution or shock.*
- p. Do not use excessively oversized sanding disc paper. Follow manufacturers recommendations, when selecting sanding paper. *Larger sanding paper extending beyond the sanding pad presents a laceration hazard and may cause snagging, tearing of the disc or kickback.*
- q. Do not allow any loose portion of the polishing bonnet or its attachment strings to spin freely. Tuck away or trim any loose attachment strings. *Loose and spinning attachment strings can entangle your fingers or snag on the workpiece.*

---

## KICKBACK AND RELATED WARNINGS

---

Kickback is a sudden reaction to a pinched or snagged rotating wheel, backing pad, brush or any other accessory. Pinching or snagging causes rapid stalling of the rotating accessory which in turn causes the uncontrolled power tool to be forced in the direction opposite of the accessory's rotation at the point of the binding. For example, if an abrasive wheel is snagged or pinched by the workpiece, the edge of the wheel that is entering into the pinch point can dig into the surface of the material causing the wheel to climb out or kick out. The wheel may either jump toward or away from the operator, depending on direction of the wheel's movement at the point of pinching. Abrasive wheels may also break under these conditions. Kickback is the result of power tool misuse and/or incorrect operating procedures or conditions and can be avoided by taking proper precautions as given below.

- a. Maintain a firm grip on the power tool and position your body and arm to allow you to resist kickback forces. Always use auxiliary handle, if provided, for maximum control over kickback or torque reaction during start-up. *The operator can control torque reactions or kickback forces, if proper precautions are taken.*
- b. Never place your hand near the rotating accessory. *Accessory may kickback over your hand.*

- c. Do not position your body in the area where the power tool will move if kickback occurs. *Kickback will propel the tool in direction opposite to the wheel's movement at the point of snagging.*
- d. Use special care when working corners, sharp edges etc. Avoid bouncing and snagging the accessory. *Corners, sharp edges or bouncing have a tendency to snag the rotating accessory and cause loss of control or kickback.*
- e. Do not attach a saw chain woodcarving blade or toothed saw blade. *Such blades create frequent kickback and loss of control.*

---

### SAFETY WARNINGS SPECIFIC TO GRINDING AND ABRASIVE CUTTING-OFF OPERATIONS

---

- a. Use only wheel types that are recommended for your power tool and the specific guard designed for the selected wheel. *Wheels for which the power tool was not designed cannot be adequately guarded and are unsafe.*
- b. Wheels must be used only for recommended applications. For example: do not grind with the side of cut-off wheel. *Abrasive cut-off wheels are intended for peripheral grinding, side forces applied to these wheels may cause them to shatter.*
- c. Always use undamaged wheel flanges that are of correct size and shape for your selected wheel. *Proper wheel flanges support the wheel thus reducing the possibility of wheel breakage. Flanges for cut-off wheels may be different from grinding wheel flanges.*
- d. Do not use worn-down wheels from larger power tools. *Wheel intended for larger power tool is not suitable for the higher speed of a smaller tool and may burst.*

---

### ADDITIONAL SAFETY WARNINGS SPECIFIC TO ABRASIVE CUTTING OFF OPERATIONS

---

- a. Do not "jam" the cut-off wheel or apply excessive pressure. Do not attempt to make an excessive depth of cut. *Overstressing the wheel increases the loading and susceptibility to twisting or binding of the wheel in the cut and the possibility of kickback or wheel breakage.*
- b. Do not position your body in line with and behind the rotating wheel. *When the wheel, at the point of operation, is moving away from your body, the possible kickback may propel the spinning wheel and the power tool directly at you.*
- c. When wheel is binding or when interrupting a cut for any reason, switch off the power tool and hold the power tool motionless until the wheel comes to a complete stop. Never attempt to remove the cut-off wheel from the cut while the wheel is in motion otherwise kickback may occur. *Investigate and take corrective action to eliminate the cause of wheel binding.*
- d. Do not restart the cutting operation in the workpiece. Let the wheel reach full speed and carefully re-enter the cut. *The wheel may bind, walk up or kickback if the power tool is restarted in the workpiece.*
- e. Support panels or any oversized workpiece to minimize the risk of wheel pinching and kickback. *Large workpieces tend to sag under their own weight. Supports must be placed under the workpiece near the line of cut and near the edge of the workpiece on both sides of the wheel.*

- f. Use extra caution when making a "pocket cut" into existing walls or other blind areas. *The protruding wheel may cut gas or water pipes, electrical wiring or objects that can cause kickback.*

---

### SAFETY WARNINGS SPECIFIC TO WIRE BRUSHING OPERATIONS

---

- a. Be aware that wire bristles are thrown by the brush even during ordinary operation. Do not overstress the wires by applying excessive load to the brush. *The wire bristles can easily penetrate light clothing and/or skin.*
- b. If the use of a guard is recommended for wire brushing, do not allow any interference of the wire wheel or brush with the guard. *Wire wheel or brush may expand in diameter due to work load and centrifugal forces.*
- c. Do not exceed 15,000 RPM when using wire brushes.

---

### ENVIRONMENT

---

#### DISPOSAL

---

The machine, accessories and packaging should be sorted for environmental-friendly recycling.

---

#### ONLY FOR EC COUNTRIES

---



Do not dispose of power tools with household waste! According to the European Guideline 2002/96/EC for Waste Electrical and Electronic Equipment and its implementation into national law, power tools that are no longer usable must be collected separately and disposed of in an environmentally-correct manner.

---

### SPECIFICATIONS

---

#### GENERAL SPECIFICATIONS

---

Voltage Rating	230-240 V, 50-60 Hz
Related Power	175 W
Rated Speed (n)	35,000 RPM
Collet Capacity	0.8 mm, 1.6 mm, 2.4 mm, 3.2 mm
<input type="checkbox"/> Class II construction	Double insulated construction tools (PICTURE 5)

---

#### EXTENSION CORDS

---

Use completely unrolled and safe extension cords with a capacity of 5 Amps.

---

### ASSEMBLY

---

ALWAYS UNPLUG MULTITool BEFORE CHANGING ACCESSORIES, CHANGING COLLETS, OR SERVICING THE TOOL.

---

## GENERAL

---

The Dremel multitool is a high quality precision tool that can be used to perform detailed and intricate tasks. The wide range of Dremel accessories and attachments allow you to perform a large variety of tasks. These include tasks such as sanding, carving, engraving, routing, cleaning and polishing.

### PICTURE 6

- A. Shaft lock button
- B. On/Off switch
- C. Variable speed dial
- D. Power cord
- E. Hanger
- F. Ventilation openings
- G. Collet wrench
- H. Shaft
- I. Housing cap
- J. Collet nut
- K. Collet

---

## COLLETS

---

The Dremel accessories available for the multitool come with various shank sizes. Four size collets are available to accommodate the different shank sizes. Collet sizes are identified by the rings on the back of the collet.

### PICTURE 7

- A. Collet nut
- B. 3.2 mm Collet without ring (480)
- C. 2.4 mm Collet with three rings (481)
- D. 1.6 mm Collet with two rings (482)
- E. 0.8 mm Collet with one ring (483)
- F. Identification rings

*NOTE: Some multitool kits may not include all four collet sizes. Collets are available separately.*

Always use the collet that matches the shank size of the accessory you plan to use. Do not force a larger diameter shank into a smaller collet.

---

## CHANGING COLLETS

---

### PICTURE 8

- A. Collet wrench
  - B. Shaft lock button
  - C. Collet nut
  - D. To loosen
  - E. To tighten
1. Press the shaft lock button, hold down and rotate the shaft by hand until it engages the shaft lock. *Do not engage the shaft lock button while multitool is running.*
  2. With the shaft lock button engaged, loosen and remove the collet nut. Use the collet wrench if necessary.
  3. Remove the collet by pulling it free from the shaft.
  4. Install the appropriate size collet fully into the shaft and reinstall the collet nut finger tight. Do not fully tighten the nut when there is no bit or accessory installed.

---

## CHANGING ACCESSORIES

---

### PICTURE 8

1. Press the shaft lock button and rotate the shaft by hand until it engages the shaft lock. *Do not engage the shaft lock button while multitool is running.*
2. With the shaft lock button engaged, loosen (do not remove) the collet nut. Use the collet wrench if necessary.
3. Insert the bit or accessory shank fully into the collet.
4. With the shaft lock button engaged, finger tighten the collet nut until the bit or accessory shank is gripped by the collet.  
*NOTE: Be sure to read the instructions supplied with your Dremel accessory for further information on its use.*

Use only Dremel tested, high performance accessories.

---

## BALANCING ACCESSORIES

---

For precision work, it is important that all accessories be in good balance (much the same as the tires on your automobile). To true up or balance an accessory, slightly loosen collet nut and give the accessory or collet a 1/4 turn. Re tighten collet nut and run the Rotary Tool. You should be able to tell by the sound and feel if your accessory is running in balance. Continue adjusting in this fashion until best balance is achieved.

---

## GETTING STARTED

---

### USE

---

The first step in using the multitool is to get the "feel" of it. Hold it in your hand and feel its weight and balance. Feel the taper of the housing. This taper permits the tool to be grasped much like a pen or pencil.

*Always hold the tool away from your face. Accessories can be damaged during handling and can fly apart as they come up to speed.*

*When holding tool, do not cover the ventilation openings with your hand. Blocking the ventilation openings could cause the motor to overheat.*

**IMPORTANT!** Practice on scrap material first to see how the tool's high-speed action performs. Keep in mind that your multitool will perform best by allowing the speed, along with the correct Dremel accessory and attachment, to do the work for you. Do not put pressure on the tool during use, if possible. Instead, lower the spinning accessory lightly to the work surface and allow it to touch the point at which you want to begin. Concentrate on guiding the tool over the work using very little pressure from your hand. Allow the accessory to do the work.

Usually it is better to make a series of passes with the tool rather than to do the entire job with one pass. A gentle touch gives the best control and reduces the chance of error.

---

## HOLDING THE TOOL

---

For best control in close work, grip the multitool like a pencil between your thumb and forefinger. PICTURE 9

The "golf" grip method is used for heavier operations such as grinding or cutting. PICTURE 10

### Nose Piece

For performing precision tasks a separate nose piece is available. It has a trilobular shape which allows the user to pinch the nose piece comfortably between thumb and forefinger. Its sleek shape has an excellent line of sight for performing detailed etching, carving and engraving work. This nose piece is not included in every kit. PICTURE 11

---

## OPERATING SPEEDS

---

To select the right speed for each job, use a practice piece of material.

### SLIDE "ON/OFF" SWITCH

The tool is switched "ON" by the slide switch located on the top side of the motor housing.

TO TURN THE TOOL "ON", slide the switch button forward.

TO TURN THE TOOL "OFF", slide the switch button backward.

### HIGH PERFORMANCE MOTOR

Your tool is equipped with a high performance rotary tool motor. This motor expands the versatility of the rotary tool by driving additional Dremel attachments.

### ELECTRONIC FEEDBACK

Your tool is equipped with an internal electronic feedback system that provides a "soft start", which will reduce the stresses that occur from a high torque start. The system also helps to keep the preselected speed virtually constant between no-load and load conditions.

### VARIABLE SPEED DIAL

Your tool is equipped with a variable speed dial. The speed may be adjusted during operation by presetting the dial on or between any one of the settings.

The speed of Rotary Tool is controlled by setting this dial on the housing. PICTURE 12

### Settings for Approximate Revolutions

Switch Setting	Speed Range
5	5,000 RPM
10	10,000 RPM
*15	15,000 RPM
20	20,000 RPM
25	25,000 RPM
30	30,000 RPM
35	35,000 RPM

\* Do not exceed 15,000 RPM when using wire brushes.

Refer to the Speed Settings chart on pages 4-7 to help determine the proper speed for the material being worked on and the accessory to use.

Most jobs can be accomplished using the tool at the highest setting. However, certain materials (some plastics and metals) can be damaged by high-speed generated heat and should be worked on at relatively low speeds. Low speed operation (15,000 RPM or less) is usually best for polishing operations employing the felt polishing accessories. All brushing applications require lower speeds to avoid wire discharge from the holder. Let the performance of the tool do the work for you when using lower speed settings. Higher speeds are better for hardwoods, metals and glass and for drilling, carving, cutting, routing and shaping.

Some guidelines regarding tool speed:

- Plastic and other materials that melt at low temperatures should be cut at low speeds.
- Polishing, buffing and cleaning with a wire brush must be done at speeds no greater than 15,000 RPM to prevent damage to the brush and your material.
- Wood should be cut at high speed.
- Iron or steel should be cut at high speed.
- If a high speed steel cutter starts to vibrate, it usually indicates that it is running too slowly.
- Aluminium, copper alloys, lead alloys, zinc alloys and tin may be cut at various speeds, depending on the type of cutting being done. Use a paraffin (not water) or other suitable lubricant on the cutter to prevent the cut material from adhering to the cutter teeth.

*NOTE: Increasing pressure on the tool is not the answer when it is not performing properly. Try a different accessory or speed setting to achieve the desired result.*

---

## MAINTENANCE

---

*Preventive maintenance performed by unauthorized personnel may result in misplacing of internal wiring and components which could cause serious hazard. We recommend that all tool service be performed by a Dremel Service Facility. To avoid injury from unexpected starting or electrical shock, always remove plug from wall outlet before performing service or cleaning.*

---

## CLEANING

---

**⚠ WARNING** TO AVOID ACCIDENTS, ALWAYS DISCONNECT THE TOOL AND/OR CHARGER FROM THE POWER SUPPLY BEFORE CLEANING. *The tool can be cleaned most effectively with compressed dry air. Always wear safety goggles when cleaning tools with compressed air.*

Ventilation openings and switch levers must be kept clean and free of foreign matter. Do not attempt to clean the tool by inserting pointed objects through an opening.

**⚠ WARNING** CERTAIN CLEANING AGENTS AND SOLVENTS DAMAGE PLASTIC PARTS.

Some of these are: gasoline, carbon tetrachloride, chlorinated cleaning solvents, ammonia and household detergents that contain ammonia.

## SERVICE AND WARRANTY



### WARNING

NO USER SERVICEABLE PARTS INSIDE.

Preventive maintenance performed by unauthorized personnel may result in incorrect connection of internal wiring and components which could cause serious hazard. *We recommend that all tool service be performed by a Dremel Service Centre. SERVICEMEN: Disconnect the tool and/or charger from the power source before servicing.*

This DREMEL product is guaranteed in accordance with statutory/country-specific regulations; damage due to normal wear and tear, overload or improper handling are excluded from the warranty.

In case of a complaint, send the *undismantled* tool or charger and proof of purchase to your dealer.

## CONTACT DREMEL

For more information on the Dremel product range, support and hotline, go to [www.dremel.com](http://www.dremel.com).

Dremel Europe, P.O. Box 3267, 4800 DG Breda, The Netherlands

## ÜBERSETZUNG DER ORIGINALBEDIENUNGSANLEITUNG



### WARNING

LESEN SIE SÄMTLICHE SICHERHEITSHINWEISE UND ANWEISUNGEN (ABBILDUNG 1)

*Die Nichtbeachtung der folgenden Sicherheitshinweise und Anweisungen kann zu elektrischem Schlag, Feuer und/oder schweren Verletzungen führen.*

**Bewahren Sie alle Sicherheitshinweise und Anweisungen zum künftigen Nachschlagen auf.**

*Der in den Sicherheitshinweisen verwendete Begriff „Elektrowerkzeug“ bezieht sich auf netzbetriebene Elektrowerkzeuge (kabelgebunden) und auf akkubetriebene Elektrowerkzeuge (kabellos).*

## SICHERHEIT AM ARBEITSPLATZ

- Halten Sie Ihren Arbeitsbereich sauber und aufgeräumt. *Unordnung und unbeleuchtete Arbeitsbereiche können zu Unfällen führen.*
- Arbeiten Sie mit dem Gerät nicht in explosionsgefährdeter Umgebung, in der sich brennbare Flüssigkeiten, Gase oder Stäube befinden. *Elektrowerkzeuge erzeugen Funken, die den Staub oder die Dämpfe entzünden können.*
- Halten Sie Kinder und andere Personen während der Benutzung des Elektrowerkzeugs fern. *Bei Ablenkung können Sie die Kontrolle über das Gerät verlieren.*

## ELEKTRISCHE SICHERHEIT

- Der Anschlussstecker des Gerätes muss in die Steckdose passen. Der Stecker darf in keiner Weise verändert

- werden. Verwenden Sie keine Adapterstecker gemeinsam mit schutzgeerdeten Geräten. *Unveränderte Stecker und passende Steckdosen verringern das Risiko eines elektrischen Schlages.*
- Vermeiden Sie Körperkontakt mit geerdeten Oberflächen wie Rohren, Heizungen, Herden und Kühlschränken. *Es besteht ein erhöhtes Risiko durch elektrischen Schlag, wenn Ihr Körper geerdet ist.*
- Halten Sie das Gerät von Regen oder Nässe fern. *Das Eindringen von Wasser in ein Elektrogerät erhöht das Risiko eines elektrischen Schlages.*
- Zweckentfremden Sie das Kabel nicht, um das Gerät zu tragen, aufzuhängen oder um den Stecker aus der Steckdose zu ziehen. Halten Sie das Kabel fern von Hitze, Öl, scharfen Kanten oder sich bewegenden Geräteteilen. *Beschädigte oder verwickelte Kabel erhöhen das Risiko eines elektrischen Schlages.*
- Wenn Sie mit einem Elektrowerkzeug im Freien arbeiten, verwenden Sie nur Verlängerungskabel, die auch für den Außenbereich zugelassen sind. *Die Anwendung eines für den Außenbereich geeigneten Verlängerungskabels verringert das Risiko eines elektrischen Schlages.*
- Wenn der Betrieb des Elektrowerkzeuges in feuchter Umgebung nicht vermeidbar ist, verwenden Sie einen Fehlerstromschutzschalter. *Der Einsatz eines Fehlerstromschutzschalters vermindert das Risiko eines elektrischen Schlages.*

## SICHERHEIT VON PERSONEN

- Seien Sie aufmerksam, achten Sie darauf, was Sie tun und gehen Sie mit Vernunft an die Arbeit mit einem Elektrowerkzeug. Benutzen Sie das Gerät nicht, wenn Sie müde sind oder unter dem Einfluss von Drogen, Alkohol oder Medikamenten stehen. *Ein Moment der Unachtsamkeit bei dem Gebrauch des Gerätes kann zu ernsthaften Verletzungen führen.*
-  Tragen Sie persönliche Schutzausrüstung und immer eine Schutzbrille. *Das Tragen persönlicher Schutzausrüstung, wie Staubmaske, rutschfeste Sicherheitsschuhe, Schutzhelm oder Gehörschutz, je nach Art und Einsatz des Elektrowerkzeuges, verringert das Risiko von Verletzungen. (ABBILDUNG 2 + 3 + 4)*
- Vermeiden Sie eine unbeabsichtigte Inbetriebnahme. Vergewissern Sie sich, dass das Elektrowerkzeug ausgeschaltet ist, bevor Sie den Stecker in die Steckdose stecken. *Wenn Sie beim Tragen des Gerätes den Finger am Schalter haben oder das eingeschaltete Gerät an die Stromversorgung anschließen, kann dies zu Unfällen führen.*
- Entfernen Sie Einstellwerkzeuge oder Schraubenschlüssel, bevor Sie das Gerät einschalten. *Ein Werkzeug oder Schlüssel, der sich in einem drehenden Geräteteil befindet, kann zu Verletzungen führen.*
- Überschätzen Sie sich nicht. *Sorgen Sie für einen sicheren Stand und halten Sie jederzeit das Gleichgewicht. Dadurch können Sie das Gerät in unerwarteten Situationen besser kontrollieren.*
- Tragen Sie geeignete Kleidung. *Tragen Sie keine weite Kleidung oder Schmuck. Halten Sie Haare, Kleidung und Handschuhe fern von sich bewegenden Teilen. Lockere*

DE

*Kleidung, Schmuck oder lange Haare können von sich bewegenden Teilen erfasst werden.*

- g. Wenn Staubabsaug- und -auffangeinrichtungen montiert werden können, vergewissern Sie sich, dass diese angeschlossen sind und richtig verwendet werden. *Das Verwenden dieser Einrichtungen verringert die Gefährdungen durch Staub.*

## GEMEINSAME WARNHINWEISE FÜR DAS SCHLEIFEN, SANDPAPIERSCHLEIFEN, ARBEITEN MIT DRAHTBÜRSTEN, POLIEREN ODER TRENNSCHLEIFEN

### SORGFÄLTIGER UMGANG MIT UND GEBRAUCH VON ELEKTROWERKZEUGEN

- a. Überlasten Sie das Gerät nicht. Verwenden Sie für Ihre Arbeit das dafür bestimmte Elektrowerkzeug. *Mit dem passenden Elektrowerkzeug arbeiten Sie besser und sicherer im angegebenen Leistungsbereich.*
- b. Benutzen Sie kein Elektrowerkzeug, dessen Schalter defekt ist. *Ein Elektrowerkzeug, das sich nicht mehr ein- oder ausschalten lässt, ist gefährlich und muss repariert werden.*
- c. Ziehen Sie den Stecker aus der Steckdose, bevor Sie Geräteeinstellungen vornehmen, Zubehörteile wechseln oder das Gerät weglegen. *Diese Vorsichtsmaßnahme verhindert den unbeabsichtigten Start des Gerätes.*
- d. Bewahren Sie Elektrowerkzeuge außerhalb der Reichweite von Kindern auf. Lassen Sie niemanden das Gerät benutzen, der mit diesem nicht vertraut ist oder diese Anweisungen nicht gelesen hat. *Elektrowerkzeuge sind gefährlich, wenn sie von unerfahrenen Personen benutzt werden.*
- e. Pflegen Sie das Gerät mit Sorgfalt. Kontrollieren Sie, ob bewegliche Geräteteile einwandfrei funktionieren und nicht klemmen, ob Teile gebrochen oder so beschädigt sind, dass die Funktion des Gerätes beeinträchtigt ist. Lassen Sie beschädigte Teile vor dem Einsatz des Gerätes reparieren. *Viele Unfälle haben ihre Ursache in schlecht gewarteten Elektrowerkzeugen.*
- f. Halten Sie Schneidwerkzeuge scharf und sauber. *Sorgfältig gepflegte Schneidwerkzeuge mit scharfen Schneidkanten verkleben sich weniger und sind leichter zu führen.*
- g. Verwenden Sie Elektrowerkzeug, Zubehör, Einsatzwerkzeuge usw. entsprechend diesen Anweisungen und so, wie es für diesen speziellen Gerätetyp vorgeschrieben ist. Berücksichtigen Sie dabei die Arbeitsbedingungen und die auszuführende Tätigkeit. *Der Gebrauch von Elektrowerkzeugen für andere als die vorgesehenen Anwendungen kann zu gefährlichen Situationen führen.*

**⚠️ WARNUNG** Bearbeiten Sie kein asbesthaltiges Material (Asbest gilt als krebserregend).

**⚠️ WARNUNG** Treffen Sie Schutzmaßnahmen, wenn brennbare oder explosive Stäube entstehen können (manche Stäube gelten als krebserregend); tragen Sie eine Staubschutzmaske und verwenden Sie, wenn anschließbar, eine Staub-/ Späneabsaugung.

### SERVICE

- a. Lassen Sie Ihr Gerät nur von qualifiziertem Fachpersonal und nur mit Original-Ersatzteilen reparieren. *Damit wird sichergestellt, dass die Sicherheit des Gerätes erhalten bleibt.*

- a. Dieses Elektrowerkzeug ist zu verwenden als Schleifer, Sandpapierschleifer, Drahtbürste, Polierer und Trennschleifmaschine. Beachten Sie alle Warnhinweise, Anweisungen, Darstellungen und Daten, die Sie mit dem Werkzeug erhalten. *Wenn Sie die folgenden Anweisungen nicht beachten, kann es zu elektrischem Schlag, Feuer und/ oder schweren Verletzungen kommen.*
- b. Verwenden Sie kein Zubehör, das vom Hersteller nicht speziell für dieses Elektrowerkzeug vorgesehen und empfohlen wurde. *Nur weil Sie das Zubehör an Ihrem Elektrowerkzeug befestigen können, garantiert das keine sichere Verwendung.*
- c. Die zulässige Drehzahl des Zubehörs muss mindestens so hoch sein wie die auf dem Elektrowerkzeug angegebene Höchstzahl. *Zubehör, das sich schneller als zulässig dreht, kann zerstört werden.*
- d. Außendurchmesser und Dicke des Zubehörs müssen den Maßangaben Ihres Elektrowerkzeugs entsprechen. *Falsch bemessenes Zubehör kann nicht ausreichend abgeschirmt oder kontrolliert werden.*
- e. Schleifscheiben, Flansche, Schleifteller oder anderes Zubehör müssen genau auf die Schleifspindel Ihres Elektrowerkzeugs passen. *Zubehör, das nicht genau auf die Schleifspindel des Elektrowerkzeugs passt, dreht sich ungleichmäßig, vibriert sehr stark und kann zum Verlust der Kontrolle führen.*
- f. Verwenden Sie kein beschädigtes Zubehör. Kontrollieren Sie vor jeder Verwendung Zubehör wie Schleifscheiben auf Abspalterungen und Risse, Schleifteller auf Risse, Verschleiß oder starke Abnutzung, Drahtbürsten auf lose oder gebrochene Drähte. Wenn das Elektrowerkzeug oder das Zubehör herunterfällt, überprüfen Sie, ob es beschädigt ist, oder verwenden Sie ein unbeschädigtes Zubehör. Wenn Sie das Zubehör kontrolliert und eingesetzt haben, bleiben Sie und in der Nähe befindliche Personen außerhalb der Ebene des rotierenden Zubehörs. Lassen Sie das Werkzeug eine Minute lang mit Höchstzahl laufen. *Beschädigtes Zubehör bricht meist in dieser Testzeit.*
- g. Tragen Sie persönliche Schutzausrüstung. Verwenden Sie je nach Anwendung Vollgesichtsschutz, Augenschutz oder Schutzbrille. Soweit angemessen, tragen Sie Staubmaske, Gehörschutz, Schutzhandschuhe oder Spezialschürze, die kleine Schleif- und Materialpartikel von Ihnen fernhält. *Die Augen sollen vor herumfliegenden Fremdkörpern geschützt werden, die bei verschiedenen Anwendungen entstehen. Staub- oder Atemschutzmaske müssen den bei der Anwendung entstehenden Staub filtern. Wenn Sie lange lautem Lärm ausgesetzt sind, können Sie einen Hörverlust erleiden.*
- h. Achten Sie bei anderen Personen auf sicheren Abstand zu Ihrem Arbeitsbereich. Jeder, der den Arbeitsbereich betritt, muss persönliche Schutzausrüstung tragen. *Bruchstücke des Werkstücks oder gebrochenes Zubehör können wegfliegen und Verletzungen auch außerhalb des direkten Arbeitsbereichs verursachen.*



- i. Fassen Sie das Elektrowerkzeug nur an den isolierten Griffflächen an, wenn Sie Arbeiten ausführen, bei denen das Zubehör verborgene Stromleitungen oder das eigene Netzkabel treffen kann. *Kontakt mit einer spannungsführenden Leitung setzt auch Metallteile des Elektrowerkzeuges unter Spannung und führt zu einem elektrischen Schlag.*
- j. Halten Sie das Netzkabel von rotierendem Zubehör fern. *Wenn Sie die Kontrolle über das Werkzeug verlieren, kann das Netzkabel durchtrennt oder erfasst werden und Ihre Hand oder Ihr Arm in das rotierende Zubehör geraten.*
- k. Legen Sie das Elektrowerkzeug niemals ab, bevor das Zubehör völlig zum Stillstand gekommen ist. *Das rotierende Zubehör kann in Kontakt mit der Ablagefläche geraten, wodurch Sie die Kontrolle über das Elektrowerkzeug verlieren können.*
- l. Lassen Sie das Elektrowerkzeug nicht laufen, während Sie es tragen. *Ihre Kleidung kann durch zufälligen Kontakt mit dem rotierenden Zubehör erfasst werden, und das Zubehör sich in Ihren Körper bohren.*
- m. Reinigen Sie regelmäßig die Lüftungsschlitze Ihres Elektrowerkzeugs. *Das Motorgebläse zieht Staub in das Gehäuse, und eine starke Ansammlung von Metallstaub kann elektrische Gefahren verursachen.*
- n. Verwenden Sie das Elektrowerkzeug nicht in der Nähe brennbarer Materialien. *Funken können diese Materialien entzünden.*
- o. Verwenden Sie kein Zubehör, das flüssige Kühlmittel erfordern. *Die Verwendung von Wasser oder anderen flüssigen Kühlmitteln kann zu einem elektrischen Schlag führen.*
- c. Meiden Sie mit Ihrem Körper den Bereich, in den das Elektrowerkzeug bei einem Rückschlag bewegt wird. *Der Rückschlag treibt das Elektrowerkzeug in die Richtung entgegengesetzt zur Bewegung der Schleifscheibe an der Blockierstelle.*
- d. Arbeiten Sie besonders vorsichtig im Bereich von Ecken, scharfen Kanten usw. Verhindern Sie, dass Zubehör vom Werkstück zurückprallen und verklebten. *Das rotierende Zubehör neigt bei Ecken, scharfen Kanten oder wenn es abbrillt dazu, sich zu verklebten. Dies verursacht einen Kontrollverlust oder Rückschlag.*
- e. Verwenden Sie kein Ketten- oder gezähntes Sägeblatt. *Solche Zubehörteile verursachen häufig einen Rückschlag oder den Verlust der Kontrolle über das Elektrowerkzeug.*

---

## BESONDERE WARNHINWEISE ZUM SCHLEIFEN UND TRENNSCHLEIFEN

---

- a. Verwenden Sie ausschließlich die für Ihr Elektrowerkzeug zugelassenen Schleifkörper und die für diese Schleifkörper vorgesehene Schutzhaube. *Schleifkörper, die nicht für das Elektrowerkzeug vorgesehen sind, können nicht ausreichend abgeschirmt werden und sind unsicher.*
- b. Schleifkörper dürfen nur für die empfohlenen Einsatzmöglichkeiten verwendet werden. Z. B.: Schleifen Sie nie mit der Seitenfläche einer Trennscheibe. *Trennscheiben sind zum Materialabtrag mit der Scheibenkante bestimmt. Seitliche Kräfteinwirkung auf diese Schleifkörper kann sie zerbrechen.*
- c. Verwenden Sie immer unbeschädigte Spannfleische in der richtigen Größe und Form für die von Ihnen gewählte Schleifscheibe. *Geeignete Fleische stützen die Schleifscheibe und verringern so die Gefahr eines Schleifscheibenbruchs. Fleische für Trennscheiben können sich von den Flanschen für andere Schleifscheiben unterscheiden.*
- d. Verwenden Sie keine abgenutzten Schleifscheiben von größeren Elektrowerkzeugen. *Schleifscheiben für größere Elektrowerkzeuge sind nicht für die höheren Drehzahlen von kleineren Elektrowerkzeugen ausgelegt und können brechen.*

---

## RÜCKSCHLAG UND ENTSPRECHENDE WARNHINWEISE

---

Rückschlag ist die plötzliche Reaktion infolge eines hakenden oder blockierten drehenden Zubehörs, wie Schleifscheibe, Schleifteller, Drahtbürste usw. Verhaken oder Blockieren führt zu einem abrupten Stopp des rotierenden Zubehörs. Dadurch wird ein unkontrolliertes Elektrowerkzeug gegen die Drehrichtung des Zubehörs an der Blockierstelle beschleunigt. Wenn z. B. eine Schleifscheibe im Werkstück hakt oder blockiert, kann sich die Kante der Schleifscheibe, die in das Werkstück eintaucht, verfangen und dadurch die Schleifscheibe ausbrechen oder einen Rückschlag verursachen. Die Schleifscheibe bewegt sich dann auf die Bedienperson zu oder von ihr weg, je nach Drehrichtung der Scheibe an der Blockierstelle. Hierbei können Schleifscheiben auch brechen. Ein Rückschlag ist die Folge eines falschen oder fehlerhaften Gebrauchs des Elektrowerkzeugs. Er kann durch geeignete Vorsichtsmaßnahmen, wie nachfolgend beschrieben, verhindert werden.

- a. Halten Sie das Elektrowerkzeug gut fest und bringen Sie Ihren Körper und Ihre Arme in eine Position, in der Sie die Rückschlagkräfte abfangen können. Verwenden Sie immer den Zusatzgriff, falls vorhanden, um die größtmögliche Kontrolle über Rückschlagkräfte oder Reaktionsmomente beim Hochlauf zu haben. *Die Bedienperson kann durch geeignete Vorsichtsmaßnahmen die Rückschlag- und Reaktionskräfte beherrschen.*
- b. Bringen Sie Ihre Hand nie in die Nähe rotierender Zubehörteile. *Das Zubehör kann sich beim Rückschlag über Ihre Hand bewegen.*

---

## WEITERE BESONDERE WARNHINWEISE ZUM TRENNSCHLEIFEN

---

- a. Vermeiden Sie ein Blockieren der Trennscheibe oder zu hohen Anpressdruck. Führen Sie keine übermäßig tiefen Schnitte aus. *Eine Überlastung der Trennscheibe erhöht deren Beanspruchung und die Anfälligkeit zum Verkranten oder Blockieren und damit die Möglichkeit eines Rückschlags oder Schleifkörperbruchs.*
- b. Meiden Sie den Bereich vor und hinter der rotierenden Trennscheibe. *Wenn Sie die Trennscheibe im Werkstück von sich wegbewegen, kann im Falle eines Rückschlags das Elektrowerkzeug mit der rotierenden Scheibe direkt auf Sie zugeschleudert werden.*
- c. Falls die Trennscheibe verklebmt oder Sie die Arbeit unterbrechen, schalten Sie das Elektrowerkzeug aus und halten Sie es ruhig, bis die Scheibe zum Stillstand gekommen ist. Versuchen Sie nie, die noch laufende Trennscheibe aus dem Schnitt zu ziehen, sonst kann ein Rückschlag erfolgen. *Ermitteln und beheben Sie die Ursache für das Verklebmen.*
- d. Schalten Sie das Elektrowerkzeug nicht wieder ein, solange es sich im Werkstück befindet. Lassen Sie die

Trennscheibe erst ihre volle Drehzahl erreichen, bevor Sie den Schnitt vorsichtig fortsetzen. *Anderenfalls kann die Scheibe verhaken, aus dem Werkstück springen oder einen Rückschlag verursachen.*

- e. Stützen Sie Platten oder große Werkstücke ab, um das Risiko eines Rückschlags durch eine eingeklemmte Trennscheibe zu vermindern. *Große Werkstücke können sich unter ihrem eigenen Gewicht durchbiegen. Das Werkstück muss auf beiden Seiten abgestützt werden, und zwar sowohl in der Nähe des Trennschnitts als auch an der Kante.*
- f. Seien Sie besonders vorsichtig bei „Taschenschnitten“ in bestehende Wände oder andere nicht einsehbare Bereiche. *Die eintauchende Trennscheibe kann beim Schneiden in Gas- oder Wasserleitungen, elektrische Leitungen oder andere Objekte einen Rückschlag verursachen.*

## BESONDERE WARNHINWEISE ZUM ARBEITEN MIT DRAHTBÜRSTEN

- a. Beachten Sie, dass die Drahtbürste auch während des üblichen Gebrauchs Drahtstücke verliert. Überlasten Sie die Drähte nicht durch zu hohen Anpressdruck. *Wegfliegende Drahtstücke können sehr leicht durch dünne Kleidung und/oder die Haut dringen.*
- b. Wird eine Schutzhaube empfohlen, verhindern Sie, dass sich Schutzhaube und Drahtbürste berühren können. *Teller- und Topfbürsten können durch Anpressdruck und Zentrifugalkräfte ihren Durchmesser vergrößern.*
- c. Bei der Verwendung von Drahtbürsten dürfen 15.000 U/min nicht überschritten werden.

## UMGEBUNG

### ENTSORGUNG

Elektrowerkzeuge, Zubehör und Verpackungen sollen einer umweltgerechten Wiederverwertung zugeführt werden.

### NUR FÜR EU-LÄNDER



Werfen Sie Elektrowerkzeuge nicht in den Hausmüll! Gemäß der Europäischen Richtlinie 2002/96/EG über Elektro- und Elektronik-Altgeräte und ihrer Umsetzung in nationales Recht müssen nicht mehr gebrauchsfähige Elektrowerkzeuge getrennt gesammelt und einer umweltgerechten Wiederverwertung zugeführt werden.

## SPEZIFIKATIONEN

### ALLGEMEINE SPEZIFIKATIONEN

Spannung ..... 230-240 V, 50-60 Hz  
Nennaufnahme ..... 175 W  
Nennrehzahl (n) ..... 35.000 U/min  
Spannzangen für ..... 0,8 mm, 1,6 mm, 2,4 mm,  
3,2 mm

Klasse-II-Ausführung ..... Doppelt isolierte Geräte  
(ABBILDUNG 5)

## VERLÄNGERUNGSKABEL

Verwenden Sie nur vollständig abgewickelte und unbeschädigte Verlängerungskabel mit einer Kapazität von mindestens 5 A.

## MONTAGE

ZIEHEN SIE DEN STECKER DES MULTITOOL IMMER AB, BEVOR SIE DIE ZUBEHÖRTEILE ODER SPANNZANGEN WECHSELN ODER SERVICEARBEITEN AM WERKZEUG DURCHFÜHREN.

## ALLGEMEIN

Dremel Multitool ist ein hochpräzises Werkzeug für besonders feine und detaillierte Arbeiten. Das breite Spektrum der Dremel Zubehörteile und Vorsatzgeräte bietet Ihnen eine große Vielzahl von Anwendungen. Hierzu gehört beispielsweise Schleifen, Schneiden, Gravieren, Fräsen, Schneiden/Trennen, Reinigen/Säubern und Polieren.

### ABBILDUNG 6

- A. Spindelarretierung
- B. Ein/Aus-Schalter
- C. Einstellrad für stufenlose Drehzahl
- D. Netzanschlussleitung
- E. Aufhängevorrichtung
- F. Lüftungsschlitze
- G. Spannzangenschlüssel
- H. Spindel
- I. Gehäusekappe
- J. Spannmutter
- K. Spannzange

## SPANNZANGEN

Dremel Multitool Zubehörteile haben unterschiedliche Schaftdurchmesser. Für diese unterschiedlichen Durchmesser stehen vier Spannzangen zur Verfügung. Die Größe der Spannzange ist jeweils an den Ringen auf der Rückseite der Spannzange erkennbar.

### ABBILDUNG 7

- A. Spannmutter
- B. 3,2 mm Spannzange ohne Ring (480)
- C. 2,4 mm Spannzange mit drei Ringen (481)
- D. 1,6 mm Spannzange mit zwei Ringen (482)
- E. 0,8 mm Spannzange mit einem Ring (483)
- F. Kennzeichnungsringe

*HINWEIS: Manche Multitool Kits enthalten nicht alle vier Spannzangen. Spannzangen sind separat als Zubehör erhältlich.*

Verwenden Sie stets die für den Schaftdurchmesser des Zubehörteils passende Spannzange. Drücken Sie einen Schaft mit einem größeren Durchmesser niemals gewaltsam in eine kleinere Spannzange.

---

## WECHSELN VON SPANNZANGEN

---

### ABBILDUNG 8

- A. Spannzangenschlüssel
  - B. Spindelarreterierung
  - C. Spannmutter
  - D. Lösen
  - E. Anziehen
- 
1. Drücken Sie den Spindelarreterierungsknopf, halten Sie ihn gedrückt und drehen Sie den Schaft von Hand, bis er blockiert. *Betätigen Sie die Spindelarreterierung nie bei laufendem Werkzeug.*
  2. Lösen Sie bei gedrücktem Spindelarreterierungsknopf die Spannmutter und nehmen Sie sie ab. Verwenden Sie ggf. den Spannzangenschlüssel.
  3. Ziehen Sie die Spannzange von der Spindel ab.
  4. Setzen Sie die Spannzange der gewünschten Größe vollständig in die Spindel ein und ziehen Sie die Spannmutter leicht an. Ziehen Sie die Mutter nie vollständig fest, wenn kein Zubehörteil eingesetzt ist.

---

## WECHSELN VON ZUBEHÖRTEILEN

---

### ABBILDUNG 8

1. Drücken Sie den Spindelarreterierungsknopf und drehen Sie den Schaft von Hand, bis er blockiert. *Betätigen Sie die Spindelarreterierung nie bei laufendem Werkzeug.*
2. Lösen Sie bei gedrücktem Spindelarreterierungsknopf die Spannmutter ohne sie abzunehmen. Verwenden Sie ggf. den Spannzangenschlüssel.
3. Schieben Sie den Schaft des Zubehörteils vollständig in die Spannzange.
4. Ziehen Sie die Spannmutter bei betätigter Spindelarreterierung mit der Hand an, bis die Spannzange den Schaft des Zubehörteils greift.  
*HINWEIS: Beachten Sie unbedingt auch die Bedienungs- und Sicherheitshinweise des jeweiligen Zubehörteils!*

Verwenden Sie nur Dremel-geprüfte Hochleistungs-Zubehörkomponenten.

---

## AUSWUCHTEN VON ZUBEHÖRTEILEN

---

Für Präzisionsarbeiten ist es wichtig, dass alle Zubehörteile gut ausgewuchtet sind (wie auch beim Reifen Ihres Autos). Lösen Sie zum Ausrichten bzw. Auswuchten eines Zubehörteils die Spannmutter leicht, und drehen Sie das Zubehörteil bzw. die Spannzange eine Viertelumdrehung. Ziehen Sie die Spannmutter wieder an, und schalten Sie das Dremel Multitool ein. Am Geräusch und der Handhabung sollten Sie feststellen können, ob das Zubehörteil noch eine Unwucht hat. Wiederholen Sie die Ausrichtung auf diese Weise, bis die geringste Unwucht vorliegt.

---

## ERSTE SCHRITTE

---

### VERWENDUNG

---

Als ersten Schritt für die Verwendung des Multitool sollten Sie ein Gefühl für das Werkzeug bekommen. Nehmen Sie das Werkzeug in die Hand und machen Sie sich mit seinem Gewicht und Schwerpunkt vertraut. Beachten Sie die Verjüngung des Gehäuses, durch die sich das Werkzeug wie ein Füllfederhalter oder Bleistift halten lässt.

*Halten Sie das Werkzeug stets von Ihrem Gesicht abgewandt und tragen Sie immer eine Schutzbrille. Teile von beschädigtem Zubehör könnten sich beim Erreichen hoher Drehzahlen unter Umständen lösen.*

*Halten Sie das Werkzeug so, dass Sie die Lüftungsschlitze nicht mit der Hand abdecken. Durch Blockieren der Lüftungsschlitze könnte der Motor überhitzen.*

WICHTIG! Üben Sie zunächst mit etwas Abfallmaterial, um ein Gefühl dafür zu bekommen, wie sich das Werkzeug bei hoher Drehzahl verhält. Denken Sie daran, dass Ihr Multitool die besten Ergebnisse liefert, wenn Sie die richtige Drehzahl sowie geeignete Zubehörteile und Vorsatzgeräte verwenden. Arbeiten Sie ohne Druck. Durch die hohe Rotationsgeschwindigkeit ist es ausreichend, das Multitool nur leicht über die Oberfläche des Werkstücks zu führen.

Normalerweise erzielen Sie bessere Ergebnisse, wenn Sie mit dem Werkzeug mehrmals über die Oberfläche fahren, als mit einem einzigen Arbeitsgang. Außerdem haben Sie bei drucklosem Arbeiten eine bessere Kontrolle und verringern das Fehlerisiko.

---

### HALTEN DES WERKZEUGS

---

Detailarbeiten können Sie am besten verrichten, wenn Sie das Multitool wie einen Stift zwischen Daumen und Zeigefinger halten. ABBILDUNG 9

Die "Golfgriff"-Methode wird für schwerere Arbeiten wie Schleifen oder Schneiden/Trennen angewendet. ABBILDUNG 10

### Nasenstück

Für Präzisionsarbeiten ist ein separates Nasenstück erhältlich. Dieses hat eine dreilappige Form, durch die sich das Nasenstück bequem zwischen Daumen und Zeigefinger zusammendrücken lässt. Die glatte Form ermöglicht eine ausgezeichnete Sichtlinie für genaues Arbeiten beim Radieren, Schnitzen und Gravieren. Das Nasenstück ist nicht in jedem Kit enthalten. ABBILDUNG 11

---

### BETRIEBSGESCHWINDIGKEIT

---

Verwenden Sie ein Übungswerkstück, um die richtige Drehzahl für die einzelnen Arbeiten zu wählen.

### „EIN/AUS“-SCHIEBESCHALTER

Das Werkzeug wird mit dem Schiebeschalter an der Oberseite des Motorgehäuses „EIN“ geschaltet.

ZUM „EIN“-SCHALTEN DES WERKZEUGS schieben Sie den Schalter nach vorne.

ZUM „AUS“-SCHALTEN DES WERKZEUGS schieben Sie den Schalter nach hinten.

## HOCHLEISTUNGSMOTOR

Ihr Werkzeug ist mit einem Dremel Multitool-Hochleistungsmotor ausgestattet. Dieser Motor erweitert die Vielseitigkeit des Dremel Multitools, indem er zusätzliche Dremel Vorsatzgeräte antreiben kann.

## ELEKTRONISCHE DREHZAHLEGELUNG

Ihr Werkzeug ist mit einem internen elektronischen Drehzahlregelungssystem ausgestattet, das einen „Sanftanlauf“ gewährleistet und die Belastung bei einem Anlauf mit großem Drehmoment verringert. Das System dient außerdem dazu, die vorgewählte Drehzahl in Situationen mit und ohne Last nahezu konstant zu halten.

## EINSTELLRAD FÜR STUFENLOSE DREHZAHLE

Das Elektrowerkzeug ist mit einem Einstellrad für die stufenlose Drehzahlregelung ausgestattet. Die Drehzahl kann während des Betriebs durch Voreinstellung des Einstellrades auf oder zwischen eine der Schalterstellungen verstellt werden.

Die Drehzahl des Dremel Multitools wird über dieses Einstellrad am Gehäuse geregelt. ABBILDUNG 12

### Stellungen für ungefähre Drehzahlen

Schalterstellung	Drehzahlbereich
5	5.000 U/min
10	10.000 U/min
*15	15.000 U/min
20	20.000 U/min
25	25.000 U/min
30	30.000 U/min
35	35.000 U/min

\* Bei der Verwendung von Drahtbürsten dürfen 15.000 U/min nicht überschritten werden.

Die den einzelnen Stufen entsprechende Drehzahl finden Sie im Diagramm auf den Seiten 4-7. So können Sie die jeweils optimale Drehzahl für Zubehör und Material ermitteln.

Die meisten Aufgaben können mit der höchsten Drehzahleinstellung des Werkzeugs erledigt werden. Einige Materialien (bestimmte Kunststoffe und Metalle) können jedoch durch die bei hoher Drehzahl erzeugte Hitze beschädigt werden und sollten daher mit niedrigerer Drehzahl bearbeitet werden. Niedrige Drehzahlen (15.000 U/Min. oder weniger) eignen sich normalerweise am Besten zum Polieren mit Filz-Polierzubehör. Bei allen Anwendungen mit Bürsten sind niedrigere Drehzahlen erforderlich, um ein Lösen der Drähte und Borsten aus der Halterung zu vermeiden. Auch bei niedrigen Drehzahlen sollten Sie ohne Druck arbeiten. Höhere Drehzahlen eignen sich für Hartholz, Metall und Glas sowie zum Bohren, Schnitzen, Schneiden, Fräsen, Formen, Kehlen und Nuten in Holz.

Einige die Drehzahl betreffende Hinweise:

- Kunststoffe und andere Werkstoffe mit niedrigem Schmelzpunkt sind mit niedrigen Drehzahlen zu bearbeiten.

- Das Polieren, Glanzschleifen und Reinigen mit einer Drahtbürste muss bei Drehzahlen von maximal 15.000 U/Min erfolgen, um einer Beschädigung der Bürste und des Materials vorzubeugen.
- Schneidarbeiten in Holz müssen mit hoher Drehzahl erfolgen.
- Schneidarbeiten in Eisen oder Stahl müssen mit hoher Drehzahl erfolgen.
- Wenn ein Hochgeschwindigkeits-Stahlfräser zu vibrieren beginnt, so ist das meist ein Hinweis darauf, dass er zu langsam läuft.
- Aluminium, Kupfer-, Blei-, Zinklegierungen und Zinn können je nach Art der Arbeit mit unterschiedlichen Drehzahlen bearbeitet werden. Fetten Sie das Schneidwerkzeug mit Paraffin oder einem anderen geeigneten Schmiermittel (nicht Wasser) ein, um zu verhindern, dass sich Späne an den Schneidkanten des Werkzeugs festsetzen.

*HINWEIS: Ein höherer Druck auf das Werkzeug wird das Ergebnis nicht verbessern. Verwenden Sie ein anderes Zubehörteil oder eine andere Drehzahleinstellung, um das gewünschte Ergebnis zu erzielen.*

## WARTUNG

*Um Beschädigungen und/oder Risiken vorzubeugen, sollten Wartungs- und Reparaturarbeiten ausschließlich durch autorisierte Personen erfolgen. Wir empfehlen, Wartung und Reparatur von Dremel-Service-niederlassungen durchführen zu lassen. Auf jeden Fall ist aus Sicherheitsgründen vor Wartungs- und Reinigungsarbeiten immer der Netzstecker zu ziehen.*

## REINIGUNG

**⚠️ WARNUNG** UM UNFÄLLE ZU VERMEIDEN, TRENNEN SIE DAS WERKZEUG BZW. DAS LADEGERÄT VOR DEM REINIGEN STETS VOM STROMNETZ. *Zur Reinigung des Werkzeuges ist Druckluft am besten geeignet.* Tragen Sie stets eine Schutzbrille, wenn Sie Werkzeuge mit Druckluft reinigen.

Die Lüftungsschlitze und Schalter müssen stets sauber und frei von Fremdkörpern gehalten werden. Versuchen Sie nicht, das Werkzeug zu reinigen, indem Sie spitze Gegenstände durch eine Öffnung einführen.

**⚠️ WARNUNG** BESTIMMTE REINIGUNGS- UND LÖSEMittel können Kunststoffteile ANGREIFEN. Hierzu gehören: Benzin, Tetrachlorkohlenstoff, chlorhaltige Reinigungsmittel, Ammoniak und ammoniakhaltige Haushaltsreiniger.

## SERVICE UND GEWÄHRLEISTUNG

**⚠️ WARNUNG** IM INNEREN BEFINDEN SICH KEINE VOM BENUTZER ZU WARTENDEN TEILE.

Vorbeugende Wartung, die von nicht autorisiertem Personal durchgeführt wird, kann zu einer falschen Anbringung der internen Verdrahtung und Komponenten und dadurch zu schwerwiegenden Gefährdungen führen. *Es wird empfohlen,*

Wartungsarbeiten an dem Werkzeug von einer Dremel-Servicenederlassung durchführen zu lassen.

WARTUNGSTECHNIKER: Trennen Sie vor Wartungsarbeiten das Werkzeug bzw. das Ladegerät von der Stromquelle.

Die Garantie für dieses DREMEL-Produkt entspricht den länderspezifischen gesetzlichen Regelungen. Schäden, die auf normale Abnutzung, Überlastung oder unsachgemäße Behandlung zurückzuführen sind, bleiben von der Garantie ausgeschlossen.

Senden Sie das Werkzeug bzw. das Ladegerät im Falle einer Beanstandung zusammen mit dem Kaufbeleg unverlegt an Ihren Händler.

## DREMEL KONTAKTINFORMATIONEN

Weitere Informationen über das Produktsortiment von Dremel sowie zu Support und Hotline finden Sie unter [www.dremel.com](http://www.dremel.com).

Dremel Europe, P.O. Box 3267, 4800 DG Breda, Die Niederlande

## TRADUCTION DE LA NOTICE ORIGINALE



### **ATTENTION** LIRE L'ENSEMBLE DES CONSIGNES ET

#### AVERTISSEMENTS DE SÉCURITÉ. (ILLUSTRATION 1)

Le non-respect de ces avertissements et de ces consignes peut entraîner un choc électrique, un incendie et/ou des blessures corporelles graves.

**Conservez l'ensemble de ces avertissements et de ces instructions à des fins de référence future.**

Le terme "outil électroportatif" mentionné dans tous les avertissements fait référence à un outil électroportatif branché sur le secteur (avec cordon électrique) ou sur batterie (sans fil).

## SÉCURITÉ DE LA ZONE DE TRAVAIL


- Faites en sorte que la zone de travail soit propre et bien éclairée. *Un espace encombré et sombre est propice aux accidents.*
- Ne faites pas fonctionner des outils électroportatifs dans les atmosphères explosives, notamment en présence de liquides, gaz ou poussières inflammables. *Les outils électroportatifs produisent des étincelles susceptibles d'enflammer les poussières ou fumées.*
- Tenez les enfants et spectateurs à distance pendant le fonctionnement d'un outil électroportatif. *Toute distraction peut entraîner une perte de contrôle de l'outil.*

## SECURITE ELECTRIQUE

- La fiche de l'outil électroportatif doit être appropriée à la prise de courant. Ne modifiez en aucune circonstance la fiche. N'employez pas d'adaptateur avec les outils électroportatifs mis à la terre. *L'utilisation de fiches non modifiées et de prises appropriées réduira le risque de choc électrique.*

- Evitez tout contact corporel avec des éléments reliés à la terre, tels que tuyauterie, radiateurs, cuisinières, réfrigérateurs. *La mise à la terre du corps accroît le risque de choc électrique.*
- Conservez les outils électroportatifs à l'abri de la pluie et de l'humidité. *La pénétration d'eau dans un outil électroportatif accroît le risque de choc électrique.*
- N'exercez aucune action dommageable sur le cordon d'alimentation. Ne jamais utiliser le cordon d'alimentation pour transporter ou débrancher l'outil électroportatif. Eloignez le cordon d'alimentation de la chaleur, des huiles, des arêtes vives ou des pièces en mouvement. *Les cordons endommagés ou emmêlés accroissent le risque de choc électrique.*
- Lors de l'utilisation d'un outil électroportatif à l'extérieur, employez une rallonge appropriée. *L'utilisation d'un cordon conçu pour l'extérieur réduit le risque de choc électrique.*
- Si l'usage d'un outil dans un emplacement humide est inévitable, utilisez un disjoncteur de fuite à la terre. *L'utilisation d'un disjoncteur de fuite à la terre réduit le risque de choc électrique.*

## SECURITE PERSONNELLE

- Restez vigilant et attentif à ce que vous faites et faites preuve de bon sens lorsque vous utilisez un outil électroportatif. Ne vous servez pas de ce type d'outil lorsque vous êtes fatigué ou sous l'emprise d'une drogue quelconque, de l'alcool ou d'un médicament. *Un instant d'inattention risque, dans ce cas, d'entraîner des blessures corporelles graves.*
-  Utilisez des équipements de protection. Portez toujours un équipement de protection oculaire. *Les équipements de protection tels que masque anti-poussière, chaussures de sécurité antidérapantes, casque ou protection auditive employés dans les cas appropriés réduiront les blessures corporelles.* (ILLUSTRATION 2 + 3 + 4)
- Evitez tout démarrage accidentel. Assurez-vous que l'interrupteur est en position Arrêt avant de brancher la fiche. *Le fait de transporter les outils électroportatifs en ayant le doigt sur l'interrupteur ou de brancher des outils avec l'interrupteur sur la position Marche constitue une situation propice aux accidents.*
- Retirez toute clé de réglage avant de mettre l'outil sous tension. *Une clé laissée au contact d'un élément en rotation de l'outil électroportatif peut entraîner des blessures corporelles.*
- Ne travaillez pas dans une position instable. *Conservez à tout moment un bon appui et un bon équilibre du corps. Vous serez ainsi plus en mesure de garder le contrôle de l'outil électroportatif dans les situations imprévues.*
- Ayez une tenue appropriée. *Ne portez pas de vêtements amples ni de bijoux. N'approchez jamais les cheveux, vêtements ou gants, de pièces en mouvement. Des vêtements amples, bijoux ou cheveux longs peuvent être happés par des pièces en mouvement.*
- En présence de dispositifs pour l'aspiration et la collecte des poussières, vérifiez que ceux-ci sont branchés et correctement employés. *L'utilisation de ces appareils peut réduire les risques liés à la poussière.*

FR

## PRECAUTIONS D'UTILISATION DE L'OUTIL ELECTROPORTATIF

- Ne forcez pas sur l'outil électroportatif. Employez l'outil correspondant à votre application. *L'outil électroportatif approprié accomplira sa tâche plus efficacement et plus sûrement s'il est utilisé à la vitesse pour laquelle il a été conçu.*
- N'utilisez pas l'outil électroportatif si l'interrupteur ne fonctionne pas correctement. *Un outil dont l'interrupteur est défectueux est dangereux et doit être réparé.*
- Débranchez l'outil de la prise électrique murale avant d'effectuer un réglage, de changer d'accessoire ou de ranger l'outil. *Ces précautions réduisent le risque d'un démarrage accidentel de l'outil.*
- Les outils électroportatifs doivent être rangés hors de portée des enfants et ne pas être utilisés par des personnes ne connaissant pas leur fonctionnement ou les présentes instructions. *Entre les mains d'utilisateurs inexpérimentés, les outils électroportatifs sont dangereux.*
- Entretenez les outils électroportatifs. Vérifiez la présence d'un défaut d'alignement ou grippage des pièces mobiles, de pièces cassées ou de toute autre condition pouvant altérer le fonctionnement des outils électroportatifs. Faites réparer un outil électroportatif endommagé avant de l'utiliser. *Nombre d'accidents sont provoqués par des outils électroportatifs mal entretenus.*
- Les outils de coupe doivent être affûtés et propres. *S'ils sont bien entretenus, les outils avec des arêtes de coupe affûtées sont moins susceptibles d'accrocher et sont plus faciles à contrôler.*
- Utilisez l'outil électroportatif, ses accessoires et embouts, etc. conformément aux présentes instructions, en particulier en tenant compte des conditions de travail et de la nature du travail à réaliser. *L'utilisation de l'outil électroportatif pour d'autres applications que celles prévues présente un risque.*



**ATTENTION** Ne pas travailler de matériaux contenant de l'amiante (l'amiante est considérée comme étant cancérigène).



**ATTENTION** Prenez des mesures de sécurité lorsque des poussières nuisibles à la santé, inflammables ou explosives peuvent être générées lors du travail (certaines poussières sont considérées comme étant cancérigènes); portez un masque anti-poussières et utilisez un dispositif d'aspiration de poussières/de copeaux s'il est possible de raccorder un tel dispositif.

## REPARATION

- Confiez la réparation de votre outil électroportatif à un réparateur qualifié qui utilise exclusivement des pièces de rechange identiques. *Vous garantirez ainsi la fiabilité de l'outil électroportatif.*

## AVERTISSEMENTS DE SÉCURITÉ COMMUNS POUR LE MEULAGE, LE PONÇAGE, LE BROSSAGE MÉTALLIQUE, LE POLISSAGE ET LA DÉCOUPE À LA MEULE ABRASIVE

- Cet outil électroportatif est à utiliser en tant que meuleuse, ponceuse au papier de verre, brosse métallique, polisseuse et en tant qu'outil de tronçonnage. Respecter tous les avertissements, instructions, représentations et données qui sont fournis avec l'outil électroportatif. *Un non-respect des instructions suivantes peut entraîner un choc électrique et / ou de graves blessures.*
- Ne pas utiliser des accessoires qui ne sont pas spécialement prévus et recommandés par le fabricant pour cet outil électroportatif. *Le fait de pouvoir monter les accessoires sur votre outil électroportatif ne garantit pas une utilisation en toute sécurité.*
- La vitesse de rotation admissible de l'accessoire doit être au moins égale à la vitesse de rotation maximale de l'outil électroportatif. *Les accessoires qui tournent à une vitesse de rotation supérieure à celle qui est admise risquent d'être détruits.*
- Le diamètre extérieur et la largeur de l'accessoire doivent correspondre aux cotes de votre outil électroportatif. *Les accessoires de mauvaises dimensions ne peuvent pas être protégés ni contrôlés de façon suffisante.*
- Les meules, les brides, les plateaux de ponçage ou les autres accessoires doivent correspondre exactement à la broche de votre outil électroportatif. *Les accessoires qui ne correspondent pas exactement à la broche de l'outil électroportatif tournent de façon irrégulière, ont de fortes vibrations et peuvent entraîner une perte de contrôle.*
- Ne pas utiliser des accessoires endommagés. Avant chaque utilisation, contrôler les accessoires tels que meules pour détecter des éclats et des fissures, les plateaux de ponçage pour détecter des fissures, une certaine usure ou des signes de forte usure, les brosses métalliques pour détecter des fils détachés ou cassés. Au cas où l'outil électroportatif ou l'accessoire tomberait, contrôler s'il est endommagé ou utiliser un accessoire intact. Après avoir contrôlé et monté l'accessoire, l'utilisateur et les personnes se trouvant à proximité doivent se tenir à distance de l'outil électroportatif et de l'accessoire. Ensuite, laisser tourner l'outil électroportatif à la vitesse maximale pendant une minute. *Dans la plupart des cas, les accessoires endommagés cassent pendant ce temps d'essai.*
- Porter des équipements de protection personnels. Selon l'utilisation, porter une protection complète pour le visage, une protection oculaire ou des lunettes de protection. Si nécessaire, porter un masque anti-poussière, une protection acoustique, des gants de protection ou un tablier spécial qui vous protège de petites particules de matériau causées par le meulage. *Protéger vos yeux de corps étrangers projetés dans l'air lors des différentes utilisations. Les masques anti-poussière ou les masques respiratoires doivent filtrer la poussière générée lors de l'utilisation. Une exposition trop longue au bruit fort peut entraîner une perte d'audition.*

- h. Garder une distance de sécurité suffisante entre votre zone de travail et les personnes se trouvant à proximité. Toute personne entrant dans la zone de travail doit porter un équipement de protection individuel. *Des fragments de pièces ou d'accessoires cassés peuvent être projetés et causer des blessures même en dehors de la zone directe de travail.*
- i. Ne tenir l'outil électroportatif qu'aux poignées isolées, si, pendant les travaux, l'accessoire risque de toucher des câbles électriques cachés ou son propre câble d'alimentation. *Le contact avec des conduites sous tension a pour conséquence une mise sous tension des parties métalliques de l'outil et provoque une décharge électrique.*
- j. Garder le câble de secteur à distance des accessoires en rotation. *Si vous perdez le contrôle de l'outil, le câble de secteur peut être sectionné ou happé et votre main ou votre bras risquent d'être happés par l'accessoire en rotation.*
- k. Déposer l'outil électroportatif seulement après l'arrêt total de l'accessoire. *L'accessoire en rotation peut toucher la surface sur laquelle l'outil est posé, ce qui risque de vous faire perdre le contrôle de l'outil électroportatif.*
- l. Ne pas laisser tourner l'outil électroportatif pendant que vous le portez. *Suite à un contact involontaire, vos vêtements peuvent être happés par l'accessoire en rotation, et l'accessoire peut rentrer dans votre corps.*
- m. Nettoyer régulièrement les ouïes de ventilation de votre outil électroportatif. *La ventilation du moteur aspire de la poussière dans le carter, et de la poussière de métal en trop grande quantité peut causer des dangers électriques.*
- n. Ne pas utiliser l'outil électroportatif lorsqu'il y a des matériaux inflammables à proximité. *Les étincelles risquent d'enflammer ces matériaux.*
- o. Ne pas utiliser des accessoires qui nécessitent des liquides de refroidissement. *L'utilisation d'eau ou d'autres liquides de refroidissement peut entraîner un choc électrique.*
- b. Ne placez jamais votre main à proximité de l'accessoire en rotation. *Lors d'un contrecoup, l'accessoire risque de rebondir sur celle-ci.*
- c. Ne restez pas dans la zone de contrecoup possible de l'outil électroportatif. *Le contrecoup entraînera l'outil dans la direction opposée au mouvement de la meule au point de blocage.*
- d. Soyez extrêmement vigilant lors du travail des coins, arêtes coupantes, etc. Évitez que l'accessoire rebondisse contre la pièce à travailler et qu'il se coince. *L'accessoire en rotation a tendance à accrocher au niveau des coins, des arêtes coupantes ou lorsqu'il rebondit, avec une possibilité de perte de contrôle ou de contrecoup.*
- e. N'utilisez pas de lames de scie à chaîne ou dentées. *Ce type de lame provoque fréquemment des contrecoups et une perte de contrôle.*

---

## CONSIGNES DE SECURITE SPECIFIQUES AU PONGAGE ET A LA DECOUPE A L'ABRASIF

---

- a. N'utilisez que des meules recommandées pour votre outil électroportatif et le capot de protection conçu pour la meule sélectionnée. *Les meules non conçues pour l'outil électroportatif ne peuvent pas être suffisamment protégées et présentent alors un danger.*
- b. Employez les meules exclusivement pour les applications recommandées. Par exemple: ne meulez pas avec la surface latérale d'un disque à tronçonner. *Les meules à tronçonner sont conçues pour enlever de la matière avec le bord et les forces latérales appliquées à ces meules peuvent provoquer leur destruction.*
- c. Utilisez systématiquement des brides de serrage en parfait état, dont la taille et la forme sont appropriées à la meule sélectionnée. *Les brides appropriées servent de support à la meule et réduisent ainsi le risque de rupture de celle-ci. Les brides pour les disques à tronçonner peuvent différer de celles utilisées pour d'autres meules.*
- d. N'utilisez pas les meules usées d'outils électroportatifs de plus grande taille. *Les meules prévues pour un outil électroportatif plus grand ne sont pas conçues pour les vitesses de rotation accrues des outils électroportatifs plus petits et risquent de casser.*

---

## CONTRECOUP ET AVERTISSEMENTS ASSOCIES

Un contrecoup est une réaction soudaine provoquée par une meule, un plateau de ponçage, une brosse ou tout autre accessoire en rotation qui se bloque ou se coince. Un blocage entraîne l'arrêt rapide de l'accessoire en rotation et la projection de l'outil électroportatif dans la direction opposée à la rotation de l'accessoire au point de blocage. Par exemple, si une meule se coince ou se bloque dans la pièce à travailler, le bord de la meule pénétrant au point de blocage peut entamer la surface du matériau et la meule peut ressortir ou être éjectée. En fonction du sens de rotation de la meule au point de blocage, celle-ci peut être projetée vers l'utilisateur ou à l'opposé de celui-ci. Dans ces conditions, les meules peuvent également casser. Le contrecoup résulte d'une utilisation incorrecte de l'outil électroportatif et/ou de mauvaises conditions ou procédures d'utilisation. Ce phénomène peut être évité en prenant les précautions suivantes.

- a. Maintenez fermement l'outil et campez votre corps et vos bras de manière à résister aux forces de contrecoup. Utilisez systématiquement la poignée supplémentaire, s'il y en a une, pour contrôler au maximum les forces de contrecoup ou le couple de réaction au démarrage. *Les forces de contrecoup ou le couple de réaction peuvent être amortis par l'utilisateur si les précautions correctes sont observées.*

---

## CONSIGNES DE SECURITE SUPPLEMENTAIRES POUR LA DECOUPE A L'ABRASIF


---

- a. Évitez de coincer le disque à tronçonner ou d'appliquer une pression excessive. N'essayez pas de réaliser des coupes trop profondes. *Une surcharge du disque en augmente la sollicitation et donc les risques de torsion ou de blocage, ce qui entraînerait un contrecoup ou la destruction de la meule.*
- b. Ne vous placez pas dans l'axe de la meule en rotation ni derrière celle-ci. *Si la meule au contact de la zone travaillée s'éloigne de vous, un contrecoup risque de ramener le disque et l'outil électroportatif directement sur vous.*
- c. Lorsque le disque se bloque ou que vous interrompez une coupe pour une raison ou une autre, éteignez puis immobilisez l'outil jusqu'à ce que le disque s'arrête complètement. N'essayez en aucun cas de sortir le disque à tronçonner en rotation du matériau, il existe un risque de

## SPECIFICATIONS

### SPECIFICATIONS GENERALES

Tension nominale	230-240 V, 50-60 Hz
Puissance nominale	175 W
Régime nominal (n)	35.000 tr/m
Pince	0,8 mm, 1,6 mm, 2,4 mm, 3,2 mm

 Appareil de classe II ..... Outils à double isolation (ILLUSTRATION 5)

### RALLONGES

Utilisez des rallonges entièrement déroulées et fiables d'une intensité de 5 A.

## MONTAGE

DEBRANCHEZ SYSTEMATIQUEMENT L'OUTIL MULTIFONCTIONS AVANT DE CHANGER D'ACCESSOIRE OU DE PINCE, OU POUR REPARER L'OUTIL.

### GENERALITES

L'outil multifonctions Dremel est un outil de précision de très grande qualité, capable d'accomplir des tâches minutieuses et complexes. La palette étendue d'accessoires et de fixations Dremel permet d'effectuer une grande diversité de travaux, notamment le ponçage, la sculpture et la gravure, ainsi que le défonçage, la découpe, le nettoyage et le polissage.

#### ILLUSTRATION 6

- A. Bouton de verrouillage de l'arbre
- B. Interrupteur de marche/arrêt
- C. Variateur de vitesse
- D. Cordon d'alimentation
- E. Support
- F. Orifices de ventilation
- G. Clé à pince
- H. Arbre
- I. Capuchon
- J. Ecrou de blocage
- K. Pince

### PINCES PORTE-EMBOUT

Les accessoires Dremel disponibles pour l'outil multifonctions sont fournis avec différentes tailles de queues. Quatre tailles de pinces sont disponibles pour les différentes queues. Ces tailles sont identifiées par les bagues au dos de la pince.

#### ILLUSTRATION 7

- A. Ecrou de blocage
- B. Pince 3,2 mm sans bague (480)
- C. Pince 2,4 mm avec trois bagues (481)
- D. Pince 1,6 mm avec deux bagues (482)
- E. Pince 0,8 mm avec une bague (483)
- F. Anneaux d'identification

contrecoup. Recherchez la cause du blocage et prenez les mesures nécessaires pour y remédier.

- d. Ne redémarrez pas l'opération de découpe dans la pièce à travailler. Attendez que la meule ait atteint sa vitesse de rotation maximale et introduisez-la précautionneusement dans le matériau. *En cas de redémarrage de l'outil électroportatif dans la pièce à travailler, le disque risque de se coincer, de ressortir ou de provoquer un contrecoup.*
- e. Utilisez des supports pour les panneaux ou toute pièce de grandes dimensions, afin de réduire le risque de blocage de la meule et de contrecoup. *Les pièces de grandes dimensions ont tendance à s'arquer sous leur propre poids. Les supports doivent être placés sous la pièce à travailler, près de la ligne de coupe et près du bord de la pièce, des deux côtés de la meule.*
- f. Redoublez de prudence lorsque vous effectuez une "coupe traversante" dans des murs existants ou autres parois aveugles. *Le disque à tronçonner peut sectionner des canalisations de gaz ou d'eau, des câbles électriques ou des objets pouvant causer un contrecoup.*

### CONSIGNES DE SECURITE SPECIFIQUES POUR LE BROSSAGE METALLIQUE

- a. Ayez à l'esprit que la brosse perd des fils métalliques même pendant le travail normal. Evitez une sollicitation trop élevée des fils métalliques en appliquant une pression excessive sur la brosse. *Les fils métalliques arrachés peuvent pénétrer facilement dans des vêtements légers et/ou la peau.*
- b. Si un capot de protection est recommandé pour le brossage métallique, évitez tout contact entre ce capot et la brosse métallique. *Les brosses métalliques circulaires ou autres peuvent augmenter de diamètre en raison de la pression et des forces centrifuges.*
- c. Ne dépassez pas 15 000 tr/min lors de l'utilisation de brosses métalliques.

## ENVIRONNEMENT

### MISE AU REBUT

Les outils électroportatifs, ainsi que leurs accessoires et emballages doivent être triés en vue de leur recyclage approprié.

### SEULEMENT POUR LES PAYS DE L'UNION EUROPEENNE



Ne jetez pas votre appareil électroportatif avec les ordures ménagères!

Conformément à la directive européenne 2002/96/CE relative à la mise au rebut des équipements électriques et électroniques, et à sa transposition dans le droit national, les outils électroportatifs inutilisables doivent faire l'objet d'une collecte distincte et être mis au rebut d'une manière respectueuse pour l'environnement.



*NOTA: Certains kits d'outils multifonctions peuvent ne pas inclure les quatre tailles de pinces. Les pinces sont disponibles séparément.*

Utilisez systématiquement la pince correspondant au diamètre de queue de l'accessoire que vous projetez d'employer. N'engagez pas de queue de grand diamètre dans une pince de diamètre plus petit.

---

## CHANGEMENT DE PINCE

---

ILLUSTRATION 8

- A. Clé de pince
  - B. Bouton de verrouillage de l'arbre
  - C. Ecrou de blocage
  - D. Sens de serrage
  - E. Sens de desserrage
- 
1. Appuyez sur le bouton de blocage d'arbre, maintenez et tournez l'arbre à la main jusqu'à ce qu'il s'enclenche. N'actionnez pas le bouton de blocage tant que l'outil multifonctions n'est pas complètement arrêté.
  2. Lorsque le bouton de blocage d'arbre est enfoncé, desserrez et déposez l'écrou de blocage. Utilisez la clé de pince si nécessaire.
  3. Déposez la pince en la dégageant de l'arbre.
  4. Engagez à fond la nouvelle pince appropriée dans l'arbre, puis repositionnez et resserrez à la main l'écrou de blocage. Ne serrez pas complètement l'écrou en l'absence d'embout ou d'accessoire.

---

## CHANGEMENT D'ACCESSOIRE

---

ILLUSTRATION 8

1. Appuyez sur le bouton de blocage d'arbre, maintenez et tournez l'arbre à la main jusqu'à ce qu'il s'enclenche. *N'actionnez pas le bouton de blocage tant que l'outil multifonctions n'est pas complètement arrêté.*
2. Lorsque le bouton de blocage d'arbre est enfoncé, desserrez l'écrou de blocage (sans le déposer). Utilisez la clé de pince si nécessaire.
3. Engagez à fond l'embout ou la queue d'accessoire dans la pince.
4. Le bouton de blocage d'arbre étant toujours enfoncé, serrez à la main l'écrou de blocage jusqu'à ce que l'embout ou la queue de l'accessoire soit bien serré dans la pince.  
*NOTA: Lisez impérativement les instructions d'utilisation fournies avec votre accessoire Dremel.*

Utilisez uniquement des accessoires testés par Dremel.

---

## ACCESSOIRES D'ÉQUILIBRAGE

---

Pour tout travail de précision, il est important que tous les accessoires soient équilibrés (comme les pneus de votre voiture, par exemple). Pour redresser ou équilibrer un accessoire, desserrez légèrement l'écrou de blocage et faites pivoter d'un quart de tour l'accessoire ou l'écrou. Resserrez l'écrou de blocage et utilisez l'outil rotatif. Vous pouvez juger de l'équilibrage de votre outil par le son qu'il produit et son comportement. Poursuivez les réglages de cette manière jusqu'à obtenir un équilibre optimal.

# COMMENT DEMARRER

---

## UTILISATION

---

La première étape consiste à faire connaissance avec l'outil. Prenez-le, soupesez-le et cherchez son équilibre dans votre main. Sentez sous vos doigts la partie conique du corps. Celle-ci permet de tenir l'outil comme un crayon.

*Ne tournez jamais l'outil vers votre visage, orientez-le vers l'extérieur. Des accessoires qui ont pu être endommagés lors de la manipulation peuvent être violemment projetés sous l'effet de la vitesse. Lorsque vous tenez l'outil, évitez d'obstruer les orifices de ventilation avec vos mains. Cette obstruction peut provoquer une surchauffe du moteur.*

**IMPORTANT !** Exercez-vous d'abord sur des matériaux de récupération pour apprécier le fonctionnement de l'outil à vitesse élevée. Ayez à l'esprit que votre outil multifonctions sera le plus performant à sa vitesse de travail, avec l'accessoire et la fixation Dremel appropriés. Si possible, évitez toute pression sur l'outil pendant son utilisation. Au contraire, appliquez légèrement l'accessoire en rotation à l'endroit voulu sur la surface à travailler. Concentrez-vous sur le guidage de l'outil sur la pièce en n'appliquant qu'une très légère pression de la main. Laissez l'accessoire faire le travail. En règle générale, plusieurs passages avec l'outil sont préférables à une seule pour accomplir le travail. Un contact léger permet un contrôle optimal et évite les risques d'erreurs.

---

## TENUE DE L'OUTIL

---

Pour maîtriser l'outil multifonctions dans les travaux de précision, tenez-le comme un crayon, entre le pouce et l'index. ILLUSTRATION 9

La méthode de maintien de type «golf» est appliquée pour les opérations plus difficiles telles que le ponçage ou la découpe. ILLUSTRATION 10

### Embout de préhension

L'outil dispose d'un embout de préhension séparé facilitant l'exécution des tâches de précision. Sa forme trilobée permet à l'utilisateur de le serrer confortablement entre le pouce et l'index. Élané, il offre un excellent champ de visibilité lors des tâches de précision (gravure, ciselage). Cet embout n'est pas inclus dans tous les kits. ILLUSTRATION 11

---

## VITESSES DE FONCTIONNEMENT

---

Pour sélectionner la vitesse la mieux adaptée à chaque tâche, procédez à des tests sur un matériau d'essai.

### INTERRUPTEUR DE MARCHE/ARRÊT

La mise en marche de l'outil s'effectue en poussant l'interrupteur situé au sommet du carter du moteur.  
**POUR METTRE L'OUTIL EN MARCHÉ,** poussez l'interrupteur vers l'avant.  
**POUR ARRÊTER L'OUTIL,** poussez l'interrupteur vers l'arrière.

### MOTEUR HAUTES PERFORMANCES

Votre outil rotatif est équipé d'un moteur hautes performances. Ce moteur étend la polyvalence de cet outil rotatif en vous permettant de mettre en œuvre des accessoires Dremel supplémentaires

## RÉTROACTION ÉLECTRONIQUE

Votre outil est équipé d'un système de rétroaction électronique interne offrant un démarrage progressif, ce qui réduit les contraintes survenant lors d'un démarrage à couple élevé. Ce système assure également la constance de la vitesse présélectionnée entre les conditions d'utilisation à vide et en action.

## VARIATEUR DE VITESSE

Votre outil est équipé d'un variateur de vitesse. La vitesse est ajustable en cours de fonctionnement en pré réglant le variateur ou en choisissant un des réglages proposés.

La vitesse de l'outil rotatif est réglable à l'aide de ce variateur situé sur le carter. ILLUSTRATION 12

### Paramètres de rotation approximatifs

Réglage de l'interrupteur	Plage de vitesses
5	5.000 tr/min
10	10.000 tr/min
*15	15.000 tr/min
20	20.000 tr/min
25	25.000 tr/min
30	30.000 tr/min
35	35.000 tr/min

\* Ne dépasse pas 15 000 tr/min lors de l'utilisation de brosses métalliques.

Reportez-vous au tableau des réglages de vitesses aux pages 4 à 7, afin de déterminer la vitesse appropriée en fonction du matériau employé et de l'accessoire.

La majorité des tâches peuvent être accomplies en utilisant l'outil à sa vitesse maximale. Néanmoins, certains matériaux (plastiques et métaux spécifiques) peuvent être endommagés par la chaleur résultant du fonctionnement à vitesse élevée et doivent donc être travaillés à des vitesses relativement faibles. Le fonctionnement à faible vitesse (inférieure ou égale à 15.000 tr/min) convient en général aux travaux de polissage avec les accessoires de polissage en feutre. Toutes les applications de broissage nécessitent des vitesses réduites afin d'éviter l'arrachement de fils métalliques. A faible vitesse, laissez l'outil performant faire le travail pour vous. Les vitesses plus élevées conviennent mieux pour travailler les bois durs, les métaux et le verre, ainsi que pour percer, sculpter, découper, défoncer, profiler et réaliser des feuillures ou des embrèvements dans le bois.

Quelques conseils concernant la vitesse d'utilisation de l'outil:

- Le plastique et les autres matériaux qui fondent à basse température doivent être coupés à des vitesses réduites.
- Le polissage, le lustrage et le nettoyage à la brosse métallique doivent être effectués à des vitesses inférieures à 15.000 tr/min, afin de ne pas endommager la brosse et le matériau.
- Le bois doit être coupé à vitesse élevée.
- Le fer ou l'acier doivent être coupés à vitesse élevée.
- Si une fraise en acier haute vitesse commence à vibrer, c'est généralement que sa vitesse de rotation est trop faible.

- L'aluminium, ainsi que les alliages de cuivre, de plomb, de zinc et d'étain peuvent être coupés à diverses vitesses selon le type de découpe effectuée. Appliquez de la paraffine (pas d'eau) ou un lubrifiant approprié sur la fraise afin d'éviter l'adhérence de déchets de coupe sur les tranchants de la fraise.

*NOTA: Une pression accrue sur l'outil ne constitue pas la solution pour de meilleures performances. Essayez un autre accessoire ou une autre vitesse pour obtenir le résultat souhaité.*

## ENTRETIEN

*Toute opération d'entretien préventif effectuée par du personnel non autorisé peut entraîner le positionnement incorrect de composants internes et présenter des risques graves. Nous recommandons de confier les opérations d'entretien de l'outil à un Centre Technique Dremel. Pour éviter les blessures résultant d'un démarrage accidentel ou d'un choc électrique, débranchez systématiquement l'outil de la prise murale avant les opérations de réparation ou de nettoyage.*

## NETTOYAGE

**ATTENTION** POUR EVITER LES ACCIDENTS, DEBRANCHEZ SYSTEMATIQUEMENT L'OUTIL ET/OU LE CHARGEUR DE L'ALIMENTATION AVANT DE LE NETTOYER. *La manière la plus efficace de nettoyer l'outil est d'employer de l'air sec comprimé.* Dans ce cas, portez systématiquement des lunettes de protection.

Les orifices de ventilation et les boutons-levers doivent être tenus propres et exempts de corps étrangers. Ne tentez pas de nettoyer l'outil en insérant des objets pointus à travers les orifices de ventilation.

**ATTENTION** CERTAINS DETERGENTS ET SOLVANTS ENDOMMAGENT LES PIECES EN PLASTIQUE. C'est notamment le cas de l'essence, du tétrachlorure de carbone, des solvants chlorés, de l'ammoniaque et des détergents domestiques qui contiennent de l'ammoniaque.

## SAV ET GARANTIE

**ATTENTION** NE CONTIENT PAS DE PIECES REPARABLES PAR L'UTILISATEUR. Toute opération d'entretien préventif effectuée par du personnel non autorisé peut entraîner le positionnement incorrect de composants internes et présenter des risques graves. *Nous recommandons de confier les opérations d'entretien de l'outil à un Centre Technique Dremel. A L'ATTENTION DU PERSONNEL D'ENTRETIEN : Débranchez systématiquement l'outil de la prise murale avant toute opération de réparation.*

Ce produit DREMEL est couvert par une garantie conforme aux réglementations légales en vigueur dans votre pays ; les dommages résultant de l'usure normale, d'une surcharge ou d'une utilisation inappropriée sont exclus de la garantie.

En cas de réclamation, envoyez l'outil ou le chargeur *non démonté* avec le justificatif d'achat à votre revendeur.

## CONTACTER DREMEL

Pour plus d'informations sur la gamme de produits, le support technique et l'assistance téléphonique de la société Dremel, visitez le site [www.dremel.com](http://www.dremel.com).

Dremel Europe, P.O. Box 3267, 4800 DG Breda, Pays-Bas

## TRADUZIONE DELLE ISTRUZIONI ORIGINALI



### **ATTENZIONE** LEGGERE TUTTE LE AVVERTENZE DI SICUREZZA

#### E LE ISTRUZIONI. (FIGURA 1)

La mancata osservanza delle avvertenze e delle istruzioni può dare luogo a scosse elettriche, incendi e/o gravi lesioni.

**Conservare le avvertenze e le istruzioni per future consultazioni.**

Il termine "utensile elettrico" nelle avvertenze si riferisce all'utensile alimentato da rete (con filo) o all'utensile elettrico a batteria (senza filo).

### SICUREZZA DELL'AREA DI LAVORO

- Tenere la zona di operazione sempre pulita ed ordinata. *Il disordine e le zone di lavoro non illuminate possono essere fonte di incidenti.*
- Evitare d'impiegare l'elettrotensile in ambienti soggetti al rischio di esplosioni e nei quali si trovino liquidi, gas o polveri infiammabili. *Gli elettrotensili producono scintille che possono far infiammare la polvere o i gas.*
- Tenere lontani i bambini ed altre persone durante l'impiego dell'elettrotensile. *Eventuali distrazioni potranno comportare la perdita del controllo sull'elettrotensile.*


### SICUREZZA ELETTRICA

- La spina per la presa di corrente dovrà essere adatta alla presa. Evitare assolutamente di apportare modifiche alla spina. Non impiegare spine adattatrici assieme ad elettrotensili con collegamento a terra. *Le spine non modificate e le prese adatte allo scopo riducono il rischio di scosse elettriche.*
- Evitare il contatto fisico con superfici collegate a terra, come tubi, riscaldamenti, cucine elettriche e frigoriferi. *Sussiste un maggior rischio di scosse elettriche nel momento in cui il corpo è messo a massa.*
- Custodire l'elettrotensile al riparo dalla pioggia o dall'umidità. *L'eventuale infiltrazione di acqua in un elettrotensile va ad aumentare il rischio d'insorgenza di scosse elettriche.*
- Non usare il cavo per scopi diversi da quelli previsti e quindi non usarlo per trasportare o appendere l'elettrotensile oppure per togliere la spina dalla presa di corrente. Non avvicinare il cavo a fonti di calore, olio, spigoli taglienti e neppure a parti della macchina che siano in movimento. *I cavi danneggiati o aggrovigliati aumentano il rischio d'insorgenza di scosse elettriche.*
- Qualora si voglia usare l'elettrotensile all'aperto, impiegare solo ed esclusivamente cavi di prolunga omologati per l'impiego all'esterno. *L'uso di un cavo di prolunga omologato*

per l'impiego all'esterno riduce il rischio d'insorgenza di scosse elettriche.

- Indossare vestiti adeguati. Evitare di indossare vestiti lenti o gioielli. Tenere i capelli, i vestiti ed i guanti lontani da pezzi in movimento. *Vestiti lenti, gioielli o capelli lunghi potranno impigliarsi in pezzi in movimento.*

### SICUREZZA DI PERSONE

- È importante concentrarsi su ciò che si sta facendo e maneggiare con giudizio l'elettrotensile durante le operazioni di lavoro. Non utilizzare l'utensile in caso di stanchezza o sotto l'effetto di droghe, bevande alcoliche e medicinali. *Un attimo di distrazione durante l'uso dell'elettrotensile potrà causare lesioni gravi.*
-  Indossare sempre equipaggiamento protettivo individuale, nonché guanti protettivi. Indossare sempre gli occhiali di protezione. *Indossando abbigliamento di protezione personale come la maschera per polveri, scarpe di sicurezza che non scivolino, elmetto di protezione oppure protezione acustica a seconda del tipo e dell'applicazione dell'elettrotensile, si riduce il rischio di incidenti (FIGURA 2 + 3 + 4).*
- Evitare l'accensione involontaria dell'utensile. Prima d'inserire la spina nella presa di corrente, assicurarsi che l'elettrotensile sia spento. *Il fatto di tenere il dito sopra all'interruttore o di collegare l'elettrotensile acceso all'alimentazione di corrente potrà essere causa di incidenti.*
- Togliere gli attrezzi di regolazione o la chiave inglese prima di accendere l'utensile. *Un utensile oppure una chiave che si trovi in una parte rotante della macchina può provocare seri incidenti.*
- Mai sopravvalutare le proprie possibilità di reazione. *Avere cura di mettersi in posizione sicura e di mantenere l'equilibrio. In tale maniera sarà possibile controllare meglio l'elettrotensile in situazioni inaspettate.*
- Indossare vestiti adeguati. *Non indossare vestiti larghi, né portare bracciali e catenine. Tenere i capelli, i vestiti ed i guanti lontani da pezzi in movimento. Vestiti lenti, gioielli o capelli lunghi potranno impigliarsi in pezzi in movimento.*
- In caso fosse previsto il montaggio di dispositivi di aspirazione della polvere e di raccolta, assicurarsi che gli stessi siano collegati e che vengano utilizzati correttamente. *L'utilizzo di tali dispositivi contribuisce a ridurre lo svilupparsi di situazioni pericolose provocate dalla presenza di polvere.*

### TRATTAMENTO ACCURATO E USO CORRETTO DEGLI ELETTROTENSILI

- Non sottoporre la macchina a sovraccarico. Per il proprio lavoro, utilizzare esclusivamente l'elettrotensile esplicitamente previsto per il caso. *Con un elettrotensile adatto si lavora in modo migliore e più sicuro nell'ambito della sua potenza di prestazione.*
- Non utilizzare mai elettrotensili con interruttori difettosi. *Un elettrotensile con l'interruttore rotto è pericoloso e deve essere agguistato.*
- Togliere la spina dalla presa di corrente prima di iniziare a regolare l'elettrotensile, di sostituire pezzi di ricambio

- o di mettere da parte l'elettrotensile. *Tale precauzione eviterà che l'elettrotensile possa essere messo in funzione involontariamente.*
- Quando gli elettrotensili non vengono utilizzati, conservarli al di fuori del raggio di accesso di bambini. Non fare usare l'elettrotensile a persone che non siano abituate ad usarlo o che non abbiano letto le presenti istruzioni. *Gli elettrotensili sono macchine pericolose quando vengono utilizzati da persone non dotate di sufficiente esperienza.*
  - Effettuare accuratamente la manutenzione dell'elettrotensile. Verificare che le parti mobili dell'elettrotensile funzionino perfettamente e non s'incepiscano, che non ci siano pezzi rotti o danneggiati al punto tale da limitare la funzione dell'elettrotensile stesso. Prima di iniziare l'impiego, far riparare le parti danneggiate. *Numerosi incidenti vengono causati da elettrotensili la cui manutenzione è stata effettuata poco accuratamente.*
  - Mantenere gli utensili da taglio sempre affilati e puliti. *Gli utensili da taglio curati con particolare attenzione e con taglienti affilati s'incepiscono meno frequentemente e sono più facili da condurre.*
  - Utilizzare utensili elettrici, accessori, attrezzi, ecc. in conformità con le presenti istruzioni. Così facendo, tenere sempre presente le condizioni di lavoro e le operazioni da eseguire. *L'impiego di elettrotensili per usi diversi da quelli consentiti potrà dar luogo a situazioni di pericolo.*

**ATTENZIONE** Non lavorare mai materiali contenenti amianto (l'amianto è ritenuto materiale cancerogeno).

**ATTENZIONE** Prendere dei provvedimenti appropriati in caso che durante il lavoro dovessero svilupparsi polveri dannose per la salute, infiammabili oppure esplosive (alcune polveri sono considerate cancerogene); portare una maschera di protezione contro la polvere ed utilizzare, se collegabile, un sistema di aspirazione polvere/aspirazione trucioli.

## ASSISTENZA

- Fare riparare l'elettrotensile solo ed esclusivamente da personale specializzato e solo impiegando pezzi di ricambio originali. *In tale maniera potrà essere salvaguardata la sicurezza dell'elettrotensile.*

## AVVERTENZE DI SICUREZZA COMUNI PER OPERAZIONI DI MOLATURA, SABBIAURA, SPAZZOLATURA, LUCIDATURA O OPERAZIONI DI TAGLIO ABRASIVO

- Questo elettrotensile è previsto per essere utilizzato come levigatrice, levigatrice per carta a vetro, spazzola metallica, lucidatrice e troncatrice. Attenersi a tutte le avvertenze di pericolo, istruzioni, rappresentazioni e dati che si ricevono insieme all' elettrotensile. *In caso di mancata osservanza delle seguenti istruzioni vi è il pericolo di provocare una*

*scossa elettrica, di sviluppare incendi e/o di provocare seri incidenti.*

- Non utilizzare nessun accessorio che la casa costruttrice non abbia esplicitamente previsto e raccomandato per questo elettrotensile. *Il semplice fatto che un accessorio possa essere fissato al Vostro elettrotensile non è una garanzia per un impiego sicuro.*
- Il numero di giri ammesso dell'accessorio impiegato deve essere almeno tanto alto quanto il numero massimo di giri riportato sull'elettrotensile. *Un accessorio che giri più rapidamente di quanto consentito può essere danneggiato.*
- Il diametro esterno e lo spessore dell'accessorio montato devono corrispondere ai dati delle dimensioni dell'elettrotensile in dotazione. *In caso di utilizzo di portautensili e di accessori di dimensioni sbagliate non sarà possibile schermarli oppure controllarli a sufficienza.*
- Dischi abrasivi, flange, platorelli oppure altri portautensili ed accessori devono adattarsi perfettamente al mandrino portamolà dell'elettrotensile in dotazione. *Portautensili ed accessori che non si adattano perfettamente al mandrino portamolà dell'elettrotensile non ruotano in modo uniforme, vibrano molto forte e possono provocare la perdita del controllo.*
- Non utilizzare mai portautensili od accessori danneggiati. Prima di ogni utilizzo controllare i portautensili e gli accessori ed accertarsi che sui dischi abrasivi non vi siano scheggiature o crepature, che il platorello non sia soggetto ad incrinature, crepature o forte usura e che le spazzole metalliche non abbiano fili metallici allentati oppure rotti. Se l'elettrotensile oppure l'accessorio impiegato dovesse sfuggire dalla mano e cadere, accertarsi che questo non abbia subito nessun danno oppure utilizzare un accessorio intatto. Una volta controllato e montato il portautensili o accessorio, far funzionare l'elettrotensile per la durata di un minuto con il numero massimo di giri avendo cura di tenersi lontani e di impedire anche ad altre persone presenti di avvicinarsi al portautensili o accessorio in rotazione. *Nella maggior parte dei casi i portautensili o accessori danneggiati si rompono nel corso di questo periodo di prova.*
- Indossare abbigliamento di protezione. A seconda dell'applicazione in corso utilizzare una visiera completa, maschera di protezione per gli occhi oppure occhiali di sicurezza. Per quanto necessario, portare maschere per polveri, protezione acustica, guanti di protezione oppure un grembiule speciale in grado di proteggervi da piccole particelle di levigatura o di materiale. *Gli occhi dovrebbero essere protetti da corpi estranei scaraventati per l'aria nel corso di diverse applicazioni. La maschera antipolvere e la maschera respiratoria devono essere in grado di filtrare la polvere provocata durante l'applicazione. Esponendosi per lungo tempo ad un rumore troppo forte vi è il pericolo di perdere l'udito.*
- Avere cura di evitare che altre persone possano avvicinarsi alla zona in cui si sta lavorando. Ogni persona che entra nella zona di operazione deve indossare un abbigliamento protettivo personale. *Frammenti del pezzo in lavorazione oppure utensili rotti possono volar via oppure provocare incidenti anche al di fuori della zona diretta di lavoro.*
- Quando si eseguono lavori in cui vi è pericolo che l'accessorio impiegato possa arrivare a toccare cavi elettrici

- nascosti oppure anche il cavo elettrico dell'elettrotensile stesso, operare con l'elettrotensile afferrandolo sempre alle superfici di impugnatura isolate. *Un contatto con un cavo elettrico mette sotto tensione anche parti in metallo dell'elettrotensile provocando quindi una scossa elettrica.*
- j. Tenere il cavo di collegamento elettrico sempre lontano da portautensili o accessori in rotazione. *Se si perde il controllo sull'elettrotensile vi è il pericolo di trancare o di colpire il cavo di collegamento elettrico e la Vostra mano o braccio può arrivare a toccare il portautensili o accessorio in rotazione.*
- k. Mai poggiare l'elettrotensile prima che il portautensili o l'accessorio impiegato non si sia fermato completamente. *L'utensile in rotazione può entrare in contatto con la superficie di appoggio facendo Vi perdere il controllo sull'elettrotensile.*
- l. Mai trasportare l'elettrotensile mentre questo dovesse essere ancora in funzione. *Attraverso un contatto casuale l'utensile in rotazione potrebbe fare presa sugli indumenti oppure sui capelli dell'operatore e potrebbe arrivare a ferire seriamente il corpo dell'operatore.*
- m. Pulire regolarmente le feritoie di ventilazione dell'elettrotensile in dotazione. *Il ventilatore del motore attira polvere nella carcassa ed una forte raccolta di polvere di metallo può provocare pericoli di origine elettrica.*
- n. Non utilizzare mai l'elettrotensile nelle vicinanze di materiali infiammabili. *Le scintille possono far prendere fuoco questi materiali.*
- o. Non utilizzare mai accessori che richiedano refrigeranti liquidi. *L'utilizzo di acqua o di altri liquidi refrigeranti può provocare una scossa di corrente elettrica.*
- p. Non utilizzare mai fogli abrasivi troppo grandi ma attenersi alle indicazioni del rispettivo produttore relative alle dimensioni dei fogli abrasivi. *Fogli abrasivi che dovessero sporgere oltre il platorello possono provocare incidenti oppure blocchi, strappi dei fogli abrasivi oppure contraccolpi.*
- q. Evitare assolutamente che parti della cappa lucidatura restino staccate e prestare in modo particolare attenzione alle cordicelle di fissaggio. *Raccogliere per bene oppure tagliare le cordicelle di fissaggio ad una lunghezza adatta. Cordicelle di fissaggio che girino con la cappa possono far presa sulle dita dell'operatore oppure rimanere impigliate nel pezzo in lavorazione.*
- dall'operatore a seconda della direzione di rotazione che ha nel momento in cui si blocca. In tali situazioni è possibile che le mole abrasive possano anche rompersi. Un contraccolpo è la conseguenza di un utilizzo non appropriato oppure non corretto dell'elettrotensile. Esso può essere evitato soltanto prendendo misure adatte di sicurezza come dalla descrizione che segue.
- a. Tenere sempre ben saldo l'elettrotensile e portare il proprio corpo e le proprie braccia in una posizione che Vi permetta di compensare le forze di contraccolpo. Se disponibile, utilizzare sempre l'impugnatura supplementare in modo da poter avere sempre il maggior controllo possibile su forze di contraccolpi oppure momenti di reazione che si sviluppano durante la fase in cui la macchina raggiunge il regime di pieno carico. *Prendendo appropriate misure di precauzione l'operatore può essere in grado di tenere sotto controllo le forze di contraccolpo e quelle di reazione a scatti.*
- b. Mai avvicinare la propria mano alla zona degli utensili in rotazione. *Nel corso dell'azione di contraccolpo il portautensili o accessorio potrebbe passare sulla Vostra mano.*
- c. Evitare di avvicinarsi con il proprio corpo alla zona in cui l'elettrotensile viene mosso in caso di un contraccolpo. *Un contraccolpo provoca uno spostamento improvviso dell'elettrotensile che si sviluppa nella direzione opposta a quella della rotazione della mola abrasiva al punto di blocco.*
- d. Operare con particolare attenzione in prossimità di spigoli, spigoli taglienti ecc. *Avere cura di impedire che portautensili o accessori possano rimbalzare dal pezzo in lavorazione oppure possano rimanervi bloccati. L'utensile in rotazione ha la tendenza a rimanere bloccato in angoli, spigoli taglienti oppure in caso di rimbalzo. Ciò provoca una perdita del controllo oppure un contraccolpo.*
- e. Non utilizzare seghe a catena e neppure lame dentellate. *Questo tipo di accessori provocano spesso un contraccolpo oppure la perdita del controllo sull'elettrotensile.*

## **PARTICOLARI AVVERTENZE DI PERICOLO PER OPERAZIONI DI LEVIGATURA E DI TRONCATURA**

- a. Utilizzare sempre la calotta di protezione prevista per il tipo di utensile abrasivo utilizzato. *Utensili abrasivi che non sono previsti per l'elettrotensile non possono essere sufficientemente schermati e sono insicuri.*
- b. Utensili abrasivi possono essere utilizzati esclusivamente per le possibilità applicative esplicitamente raccomandate. P. es.: mai eseguire lavori di levigatura con la superficie laterale di un disco abrasivo da taglio diritto. *Mole abrasive da taglio diritto sono previste per l'asportazione di materiale con il bordo del disco. Esercitando dei carichi laterali su questi utensili abrasivi vi è il pericolo di romperli.*
- c. Per la mola abrasiva selezionata, utilizzare sempre flange di serraggio che siano in perfetto stato e che siano della corretta dimensione e forma. *Flange adatte hanno una funzione di corretto supporto della mola abrasiva riducendo il più possibile il pericolo di una rottura della mola abrasiva. È possibile che vi sia una differenza tra flange per mole abrasive da taglio diritto e flange per mole abrasive di altro tipo.*
- d. Non utilizzare mai mole abrasive usurate previste per elettrotensili più grandi. *Mole abrasive previste per elettrotensili più grandi non sono concepite per le maggiori velocità di elettrotensili più piccoli e possono rompersi.*

## **CONTRACCOLPO E RELATIVE AVVERTENZE DI PERICOLO**

Un contraccolpo è l'improvvisa reazione in seguito ad aggancio o blocco di accessorio in rotazione come può essere un disco abrasivo, platorello, spazzola metallica ecc. Agganciandosi oppure bloccandosi il portautensili o accessorio provoca un arresto improvviso della rotazione dello stesso. In questo caso l'operatore non è più in grado di controllare l'elettrotensile ed al punto di blocco si provoca un rimbalzo dello stesso che avviene nella direzione opposta a quella della rotazione del portautensili o dell'accessorio. Se p. es. un disco abrasivo resta agganciato o bloccato nel pezzo in lavorazione, il bordo del disco abrasivo che si abbassa nel pezzo in lavorazione può rimanere impigliato provocando in questo modo una rottura oppure un contraccolpo del disco abrasivo. Il disco abrasivo si avvicina o si allontana

## ULTERIORI AVVERTENZE DI PERICOLO SPECIFICHE PER LAVORI DI TRONCATURA

- Evitare di far bloccare il disco abrasivo da taglio diritto oppure di esercitare una pressione troppo alta. Non eseguire tagli eccessivamente profondi. *Sottoponendo la mola da taglio diritto a carico eccessivo se ne aumenta la sollecitazione e la si rende maggiormente soggetta ad angolature improprie o a blocchi venendo così a creare il pericolo di contraccolpo oppure di rottura dell'utensile abrasivo.*
- Evitare di avvicinarsi alla zona anteriore o posteriore al disco abrasivo da taglio in rotazione. *Quando l'operatore manovra la mola da taglio diritto nel pezzo in lavorazione in direzione opposta a quella della propria persona, può capitare che in caso di un contraccolpo il disco in rotazione faccia rimbalzare con violenza l'elettrotensile verso l'operatore.*
- Qualora il disco abrasivo da taglio diritto dovesse incepparsi oppure si dovesse interrompere il lavoro, spegnere l'elettrotensile e tenerlo fermo fino a quando il disco si sarà fermato completamente. Non tentare mai di estrarre il disco abrasivo dal taglio in esecuzione perché si potrebbe provocare un contraccolpo. *Rilevare ed eliminare la causa per il blocco.*
- Mai rimettere l'elettrotensile in funzione fintanto che esso si trovi ancora nel pezzo in lavorazione. Prima di continuare ad eseguire il taglio procedendo con la dovuta attenzione, attendere che il disco abrasivo da taglio diritto abbia raggiunto la massima velocità. *In caso contrario è possibile che il disco resti agganciato, sbalzi dal pezzo in lavorazione oppure provochi un contraccolpo.*
- Dotare di un supporto adatto pannelli oppure pezzi in lavorazione di dimensioni maggiori in modo da ridurre il rischio di un contraccolpo dovuto ad un disco abrasivo da taglio diritto che rimane bloccato. *Pezzi in lavorazione di dimensioni maggiori possono piegarsi sotto l'effetto del proprio peso. Provvedere a munire il pezzo in lavorazione di supporti adatti al caso specifico sia nelle vicinanze del taglio di troncatura che in quelle del bordo.*
- Operare con particolare attenzione in caso di "tagli dal centro" da eseguire in pareti già esistenti oppure in altre parti non visibili. *Il disco abrasivo da taglio diritto che inizia il taglio sul materiale può provocare un contraccolpo se dovesse arrivare a troncare condutture del gas o dell'acqua, linee elettriche oppure oggetti di altro tipo.*

## AVVERTENZE DI PERICOLO SPECIFICHE PER LAVORI CON SPAZZOLE METALLICHE

- Tenere presente che la spazzola metallica perde pezzi di fil di ferro anche durante il comune impiego. Non sottoporre i fili metallici a carico troppo elevato esercitando una pressione troppo alta. *Pezzi di fil di ferro scaraventati per l'aria possono penetrare molto facilmente attraverso indumenti sottili e/o la pelle.*
- Impiegando una calotta di protezione si impedisce che la calotta di protezione e la spazzola metallica possano toccarsi. *I diametri delle spazzole a disco e delle spazzole a tazza possono essere aumentati attraverso forze di pressione e tramite l'azione di forze centrifugali.*
- Non superare i 15.000 giri/min. in caso di utilizzo di spazzole metalliche.

## AMBIENTE

### SMALTIMENTO

Avviare ad un riciclaggio rispettoso dell'ambiente gli imballaggi, gli elettrotensili e gli accessori dismessi.


### SOLO PER I PAESI DELLA CE



Non gettare elettrotensili dismessi tra i rifiuti domestici! Conformemente alla norma della direttiva CE 2002/96 sui rifiuti di apparecchiature elettriche ed elettroniche (RAEE) ed all'attuazione del recepimento nel diritto nazionale, gli elettrotensili diventati inservibili devono essere raccolti separatamente ed essere inviati ad una riutilizzazione ecologica.

## DATI TECNICI

### DATI TECNICI GENERALI

Tensione di funzionamento	230-240 V, 50-60 Hz
Potenza nominale	175 W
Velocità (n)	35.000 giri/min
Capacità mandrino	0,8 mm, 1,6 mm, 2,4 mm, 3,2 mm
 Costruzione classe II	Strumenti di costruzione a doppio isolamento

(FIGURA 5)

### CAVI DI PROLUNGA

Utilizzare esclusivamente cavi di prolunga completamente svolti con portata minima di 5 amp.

## MONTAGGIO

SCOLLEGARE SEMPRE IL MULTIUTENSILE PRIMA DI SOSTITUIRE GLI ACCESSORI, I MANDRINI O DI PROCEDERE A OPERAZIONI DI MANUTENZIONE.

### GENERALE

Il multiutensile Dremel è uno strumento di precisione di alta qualità, adatto per lavori dettagliati e complessi. La vasta gamma di accessori e complementi Dremel permette di svolgere i più svariati lavori. Tra questi, levigatura, intaglio, incisione e fresatura, taglio, pulitura e lucidatura.

#### FIGURA 6

- Pulsante di blocco albero
- Comando di accensione/spegnimento
- Selezione velocità variabile
- Cavo di alimentazione
- Gancio
- Aperture di aerazione
- Chiave di serraggio
- Asta
- Cappuccio

- J. Ghiera di serraggio
- K. Pinza

---

## PINZE

---

Gli accessori Dremel previsti per il multiutensile hanno gambi di diverse dimensioni. Sono disponibili quattro pinze di dimensioni diverse per le varie dimensioni dei gambi. Le dimensioni delle pinze sono identificate dagli anelli presenti alla base delle pinze stesse.

### FIGURA 7

- A. Ghiera di serraggio
- B. Pinza da 3,2 mm senza anello (480)
- C. Pinza da 2,4 mm con tre anelli (481)
- D. Pinza da 1,6 mm con due anelli (482)
- E. Pinza da 0,8 mm con un anello (483)
- F. Anelli di identificazione

*N.B.: Alcuni kit multiutensile possono non includere le pinze nelle quattro dimensioni. Le pinze sono comunque disponibili separatamente.*

Usare sempre la pinza che si adatta alle dimensioni del gambo e dell'accessorio che si intende usare. Non forzare un accessorio con gambo di diametro superiore della pinza.

---

## SOSTITUZIONE PINZE

---

### FIGURA 8

- A. Chiave di serraggio
- B. Pulsante di blocco albero
- C. Ghiera di serraggio
- D. Allentare
- E. Serrare

1. Premere il pulsante di blocco dell'albero e, tenendolo premuto, ruotare l'albero a mano fino a che non si blocca. Non azionare il pulsante di blocco dell'albero mentre il multiutensile sta girando.
2. A pulsante di blocco dell'albero azionato, svitare e smontare la ghiera della pinza. Se necessario utilizzare la chiave di serraggio.
3. Estrarre la pinza dall'albero.
4. Inserire la pinza della dimensione desiderata nell'albero e serrare la ghiera di serraggio. Non serrare completamente la ghiera in assenza di punta o accessorio.

---

## SOSTITUZIONE ACCESSORI

---

### FIGURA 8

1. Premere il pulsante di blocco dell'albero e ruotare l'albero a mano fino a che non si blocca. *Non azionare il pulsante di blocco dell'albero mentre il multiutensile sta girando.*
2. A pulsante di blocco dell'albero azionato, allentare (ma non rimuovere) la ghiera di serraggio. Se necessario utilizzare la chiave di serraggio.
3. Inserire il gambo della punta o dell'accessorio nella pinza.
4. A pulsante di blocco dell'albero azionato, serrare la ghiera di serraggio fino a che il gambo della punta/accessorio non è bloccato.

*N.B.: Leggere le istruzioni fornite con gli accessori Dremel per ulteriori informazioni sull'utilizzo.*

Utilizzare esclusivamente accessori Dremel testati e ad elevate prestazioni.

---

## EQUILIBRATURA ACCESSORI

---

Per ottenere un lavoro di precisione, è importante che tutti gli accessori siano perfettamente equilibrati (analogamente agli pneumatici di un'auto). Per allineare o equilibrare un accessorio, allentare leggermente il dado del colletto e far compiere all'accessorio o al colletto 1/4 di giro. Serrare nuovamente il dado del colletto ed azionare il mandrino. L'utente dovrebbe essere in grado di stabilire l'equilibratura dell'accessorio ascoltandone il rumore. Continuare a regolare fino ad ottenere l'equilibratura ottimale.

---

## PER INZIARE

---

### USO

---

Prima di utilizzare il multiutensile è necessario "conoscerlo". Impugnarlo e valutarne il peso e il bilanciamento. Si prenda confidenza con l'estremità affusolata dell'utensile. E' questa parte che permette di impugnarlo come una penna o una matita.

*Tenere sempre l'utensile lontano dal volto. Gli accessori potrebbero essere stati danneggiati durante la spedizione e potrebbero volar via ruotando ad alta velocità.*

*Nel maneggiare l'utensile evitare di coprire con le mani le aperture di aerazione. Se si bloccano le aperture di aerazione, il motore potrebbe surriscaldarsi.*

**IMPORTANTE!** Provare ad utilizzare l'utensile su materiale di scarto per testarlo alle alte velocità. Ricordare che le prestazioni del multiutensile sono migliori se si permette alla velocità, insieme agli accessori e ai complementi Dremel più adatti, di svolgere completamente il lavoro. Se possibile non fare pressione sull'utensile in fase di utilizzo. Al contrario, appoggiare con cautela l'accessorio in rotazione sulla superficie di lavoro portandolo in contatto con il punto in corrispondenza del quale si vuole iniziare. Concentrarsi sulla guida dell'utensile lungo il pezzo applicando una leggerissima pressione con la mano. Deve essere l'accessorio a eseguire il lavoro. Solitamente si consiglia di eseguire una serie di passate con l'utensile piuttosto che una sola passata per completare il lavoro. Un tocco leggero garantisce un migliore controllo e riduce le possibilità di errore.

---

## COME USARE L'UTENSILE

---

Per un migliore controllo in lavori di precisione, impugnare il multiutensile come una penna tra pollice e indice. FIGURA 9 La presa "a mazza da golf" viene solitamente utilizzata per lavori più pesanti, quali levigatura o taglio. FIGURA 10

### Impugnatura addizionale

Per eseguire operazioni di precisione, è disponibile un'impugnatura addizionale. La sua forma schiacciata le consente di essere afferrata comodamente con il pollice e l'indice. Il suo profilo

liscio consente l'esecuzione dettagliata di intagli ed incisioni. Tale impugnatura non è contenuta in tutti i kit. FIGURA 11

## VELOCITÀ SELEZIONABILI

Per selezionare la velocità adeguata a ciascun lavoro, usare un pezzo di materiale di prova.

### INTERRUTTORE "ON/OFF" A SCORRIMENTO

L'utensile si attiva ("ON") facendo scorrere l'interruttore situato nella parte superiore dell'alloggio motore.

PER ACCENDERE L'UTENSILE ("ON"), far scorrere l'interruttore in avanti.

PER SPEGNERE L'UTENSILE ("OFF"), far scorrere l'interruttore indietro.

### MOTORE AD ELEVATE PRESTAZIONI

L'utensile è dotato di un motore per mandrino ad elevate prestazioni. Questo motore aumenta la versatilità del mandrino consentendo di azionare altri accessori Dremel.

### FEEDBACK ELETTRONICO

L'utensile è dotato di un sistema di feedback elettronico interno che fornisce un "soft start", riducendo le sollecitazioni causate da un avviamento a coppia elevata. Il sistema contribuisce inoltre a mantenere virtualmente costante la velocità preselezionata in condizioni di presenza e assenza di carico.

### SELEZIONE VELOCITÀ VARIABILE

L'utensile è dotato di un selettore di velocità variabile. La velocità può essere regolata durante il funzionamento preimpostando il selettore su un'impostazione o tra alcune delle impostazioni.

La velocità del mandrino viene controllata dall'impostazione di questo selettore sull'alloggio. FIGURA 12

#### Impostazioni per numero di giri

Posizione interruttore	Gamme velocità
5	5.000 giri/min
10	10.000 giri/min
*15	15.000 giri/min
20	20.000 giri/min
25	25.000 giri/min
30	30.000 giri/min
35	35.000 giri/min

\* Non superare i 15.000 giri/min. in caso di utilizzo di spazzole metalliche.

Vedere la tabella Impostazioni di velocità a pagina 4-7 per individuare la velocità più adatta in base al materiale di lavoro e all'accessorio utilizzato.

E' possibile svolgere molti lavori con l'utensile regolato alla massima velocità. Tuttavia, alcuni materiali (alcuni tipi di plastica e metallo) possono danneggiarsi per il calore generato dall'alta velocità e dovrebbero pertanto essere lavorati a basse velocità. Le basse velocità (15.000 giri/min o meno) sono generalmente

adatte per interventi di lucidatura con accessori di lucidatura in feltro. In caso di utilizzo di spazzole, le velocità devono essere basse per evitare scariche dal manico. Lasciare che l'utensile lavori per voi alle basse velocità. Le velocità più alte sono ideali per legni duri, metalli e vetro, oltre che per interventi di foratura, intaglio, taglio, fresatura, formatura e taglio di dadi e battute in legno.

Alcune indicazioni sulla velocità dell'utensile:

- La plastica e i materiali che fondono a basse temperature devono essere lavorati a bassa velocità.
- Lucidatura e pulitura con spazzola metallica devono essere eseguite a velocità inferiore a 15.000 giri/min per non danneggiare la spazzola e il materiale.
- Il legno deve essere lavorato a velocità elevata.
- Il ferro e l'acciaio devono essere lavorati a velocità elevata.
- Se un utensile da taglio in acciaio ad alta velocità inizia a vibrare, solitamente ciò significa che è stata selezionata una velocità troppo bassa.
- L'alluminio, il rame, le leghe di piombo, le leghe di zinco e lo stagno possono essere lavorati a velocità diverse, a seconda del tipo di lavorazione che si deve eseguire. Usare paraffina (non acqua) o altro lubrificante adatto sull'utensile di taglio per evitare che il materiale asportato aderisca al tagliente.

*N.B.: Aumentare la pressione sull'utensile se non taglia come si vorrebbe, non risolve il problema. Provare ad utilizzare un accessorio o una regolazione della velocità diversi per ottenere i risultati desiderati.*

## MANUTENZIONE

*La manutenzione preventiva eseguita da personale non autorizzato può causare l'errato posizionamento di componenti e dei cavi interni con possibili gravi rischi per le persone. Raccomandiamo che l'assistenza sugli utensili sia eseguita presso i centri di assistenza autorizzati Dremel. Per evitare incidenti dovuti ad avvio non previsto o scariche elettriche, scollegare sempre la spina dalla presa di corrente prima di qualsiasi intervento manutentivo o di pulitura.*

## PULIZIA

**ATTENZIONE** PER EVITARE INCIDENTI, SCOLLEGARE SEMPRE L'UTENSILE E/O IL CARICABATTERIE DALL'ALIMENTAZIONE PRIMA DELLA PULIZIA. *L'utensile può essere pulito in modo più efficace con aria compressa. Indossare sempre occhiali di protezione quando si puliscono gli utensili con aria compressa.*

Mantenere le aperture di ventilazione e le leve degli interruttori pulite e prive di materiale estraneo. Non tentare di pulire l'utensile inserendo oggetti appuntiti attraverso un'apertura.

**ATTENZIONE** ALCUNI TIPI DI DETERGENTI E SOLVENTI DANNEGGIANO LE PARTI IN PLASTICA. Ecco alcuni: benzina, tetracloruro di carbonio, solventi clorurati, ammoniaci e detersivi casalinghi che contengono ammoniaci



**ATTENZIONE** ALL'INTERNO NON VI SONO PARTI MANUTENZIONABILI DALL'UTENTE. La manutenzione preventiva eseguita da personale non autorizzato può portare a un errato posizionamento dei fili interni e dei componenti e creare situazioni pericolose. *Si consiglia di far eseguire l'intera manutenzione dell'utensile presso un centro di assistenza Dremel Service Centre. TECNICO DI ASSISTENZA: Scollegare l'utensile/caricabatterie dall'alimentazione prima di eseguire la manutenzione.*

Questo prodotto DREMEL è garantito secondo le normative previste dalla legge/specifiche del paese; i danni derivati da normale usura e lacerazioni, sovraccarichi o uso improprio saranno esclusi dalla garanzia.

In caso di reclamo, inviare al rivenditore l'utensile *non smontato* unitamente alla prova di acquisto.

### CONTATTARE DREMEL

Per ulteriori informazioni sulla gamma dei prodotti Dremel, per l'assistenza e la hotline, visitare il sito [www.dremel.com](http://www.dremel.com).

Dremel Europe, P.O. Box 3267, 4800 DG Breda, Paesi Bassi

## VERTALING VAN DE ORIGINELE GEBRUIKSAANWIJZING



### LET OP LEES ALLE VEILIGHEIDSWAARSCHUWINGEN EN ALLE

#### INSTRUCTIES. (AFBEELDING 1)

*Mocht u de onderstaande instructies niet opvolgen dan kan er zich mogelijk een elektrische schok voordoen of kunt u brandwonden en/of ernstig letsel oplopen.*

**Bewaar alle waarschuwingen en instructies als referentiemateriaal.**

*De term "elektrisch gereedschap" in alle onderstaande waarschuwingen duidt op een elektrisch apparaat dat door het net (met een snoer) of door een accu (draadloos) wordt aangedreven.*

### VEILIGHEID VAN DE WERKPLEK

- Houd uw werkomgeving schoon en opgeruimd. *Een rommelige of onverlichte werkomgeving kan tot ongevallen leiden.*
- Werk met het gereedschap niet in een omgeving met explosiegevaar waarin zich brandbare vloeistoffen, brandbare gassen of brandbaar stof bevinden. *Elektrische gereedschappen veroorzaken vonken die het stof of de dampen tot ontsteking kunnen brengen.*
- Houd kinderen en andere personen tijdens het gebruik van het elektrische gereedschap uit de buurt. *Wanneer u wordt afgeleid, kunt u de controle over het gereedschap verliezen.*

- De aansluitstekker van het gereedschap moet in het stopcontact passen. De stekker mag in geen geval worden veranderd. Gebruik geen adapterstekkers in combinatie met geaarde gereedschappen. *Onveranderde stekkers en passende stopcontacten beperken het risico van een elektrische schok.*
- Voorom aanraking van het lichaam met geaarde oppervlakken, bijvoorbeeld van buizen, verwarmingen, fornuizen en koelkasten. *Er bestaat een verhoogd risico op een elektrische schok wanneer uw lichaam geaard is.*
- Houd het gereedschap uit de buurt van regen en vocht. *Het binnendringen van water in het elektrische gereedschap vergroot het risico van een elektrische schok.*
- Gebruik de kabel niet voor een verkeerd doel, om het gereedschap te dragen of op te hangen of om de stekker uit het stopcontact te trekken. Houd de kabel uit de buurt van hitte, olie, scherpe randen en bewegende gereedschapsdelen. *Beschadigde of in de war geraakte kabels vergroten het risico van een elektrische schok.*
- Wanneer u buitenshuis met elektrisch gereedschap werkt, dient u alleen verlengkabels te gebruiken die voor gebruik buitenshuis zijn goedgekeurd. *Het gebruik van een voor gebruik buitenshuis geschikte verlengkabel beperkt het risico van een elektrische schok.*
- Als het gebruik van het elektrische gereedschap in een vochtige omgeving onvermijdelijk is, dient u een aardlekschakelaar te gebruiken. *Het gebruik van een aardlekschakelaar vermindert het risico van een elektrische schok.*

### VEILIGHEID VAN PERSONEN

- Wees alert, let goed op wat u doet en ga met verstand te werk bij het gebruik van het elektrische gereedschap. Gebruik het gereedschap niet wanneer u moe bent of onder invloed staat van drugs, alcohol of medicijnen. *Een moment van onoplettendheid bij het gebruik van het gereedschap kan tot ernstige verwondingen leiden.*
-    Draag persoonlijke beschermende uitrusting en altijd een veiligheidsbril. *Het dragen van persoonlijke beschermende uitrusting zoals een stofmasker, slijpvaste werkschoenen, een veiligheidshelm of gehoorbescherming, afhankelijk van de aard en het gebruik van het elektrische gereedschap, vermindert het risico van verwondingen. (AFBEELDING 2 + 3 + 4)*
- Voorom per ongeluk inschakelen. Controleer dat het elektrische gereedschap uitgeschakeld is, voordat u de stekker in het stopcontact steekt. *Wanneer u bij het dragen van het gereedschap uw vinger aan de schakelaar hebt of wanneer u het gereedschap ingeschakeld op de stroomvoorziening aansluit, kan dit tot ongevallen leiden.*
- Verwijder instelgereedschappen of schroefslutels voordat u het gereedschap inschakelt. *Een instelgereedschap of sleutel in een draaiend deel van het gereedschap kan tot verwondingen leiden.*

- e. Overschat u zelf niet. *Zorg ervoor dat u stevig staat en steeds in evenwicht blijft. Daardoor kunt u het gereedschap in onverwachte situaties beter onder controle houden.*
- f. Draag geschikte kleding. *Draag geen loshangende kleding of sieraden. Houd haren, kleding en handschoenen uit de buurt van bewegende delen. Loshangende kleding, lange haren en sieraden kunnen door bewegende delen worden meegenomen.*
- g. Wanneer stofafzuigings- of stofopvangvoorzieningen kunnen worden gemonteerd, dient u zich ervan te verzekeren dat deze zijn aangesloten en juist worden gebruikt. *Het gebruik van deze voorzieningen beperkt het gevaar door stof.*

## ZORGVULDIGE OMGANG MET EN ZORGVULDIG GEBRUIK VAN ELEKTRISCHE GEREEDSCHAPPEN

- a. Overbelast het gereedschap niet. Gebruik voor uw werkzaamheden het daarvoor bestemde elektrische gereedschap. *Met het passende elektrische gereedschap werkt u beter en veiliger binnen het aangegeven capaciteitsbereik.*
- b. Gebruik geen elektrisch gereedschap waarvan de schakelaar defect is. *Elektrisch gereedschap dat niet meer kan worden in- of uitgeschakeld, is gevaarlijk en moet worden gerepareerd.*
- c. Trek de stekker uit het stopcontact voordat u het gereedschap instelt, toebehoren wisselt of het gereedschap weg legt. *Deze voorzorgsmaatregel voorkomt onbedoeld starten van het gereedschap.*
- d. Bewaar niet-gebruikte elektrische gereedschappen buiten bereik van kinderen. Laat het gereedschap niet gebruiken door personen die er niet mee vertrouwd zijn en deze aanwijzingen niet hebben gelezen. *Elektrische gereedschappen zijn gevaarlijk wanneer deze door onervaren personen worden gebruikt.*
- e. Verzorg het gereedschap zorgvuldig. Controleer of bewegende delen van het gereedschap correct functioneren en niet vastklemmen en of onderdelen zodanig gebroken of beschadigd zijn dat de werking van het gereedschap nadelig wordt beïnvloed. Laat deze beschadigde onderdelen voor het gebruik repareren. *Veel ongevallen hebben hun oorzaak in slecht onderhouden van elektrische gereedschappen.*
- f. Houd snijdende inzetgereedschappen scherp en schoon. *Zorgvuldig onderhouden snijdende inzetgereedschappen met scherpe snijkanten klemmen minder snel vast en zijn gemakkelijker te geleiden.*
- g. Gebruik elektrisch gereedschap, toebehoren, inzetgereedschappen en dergelijke volgens deze aanwijzingen. Let daarbij op de arbeidsomstandigheden en de uit te voeren werkzaamheden. *Het gebruik van elektrische gereedschappen voor andere dan de voorzien toepassing kan tot gevaarlijke situaties leiden.*



### LET OP

**Bewerk geen asbesthoudend materiaal** (asbest geldt als kankerverwekkend).



### LET OP

**Tref veiligheidsmaatregelen, wanneer er bij werkzaamheden stoffen kunnen**

**ontstaan, die schadelijk voor de gezondheid, brandbaar of explosief zijn** (sommige soorten stof gelden als kankerverwekkend); draag een stofmasker en gebruik een afzuiging voor stof en spanen, als deze kan worden aangesloten.

## SERVICE

- a. Laat het gereedschap alleen repareren door gekwalificeerd en vakkundig personeel en alleen met originele vervangingsonderdelen. *Daarmee wordt gewaarborgd dat de veiligheid van het gereedschap in stand blijft.*

## VEILIGHEIDSWAARSCHUWINGEN DIE IN HUN ALGEMEENHEID GELDEN VOOR TOEPASSINGEN ALS SLIJPEN, SCHUREN, POLIJSTEN EN WERKZAAMHEDEN MET EEN DRAADBORSTEL OF DOORSLIJPMACHINE

- a. Dit elektrische gereedschap is bestemd voor gebruik als slijpmachine, schuurmachine, borstelmaschine, polijstmachine en doorslijpmachine. Neem alle waarschuwingen, aanwijzingen, afbeeldingen en gegevens die u bij het elektrische gereedschap ontvangt in acht. *Als u de volgende aanwijzingen niet in acht neemt, kunnen een elektrische schok, brand en/of ernstig letsel het gevolg zijn.*
- b. Gebruik uitsluitend toebehoren dat door de fabrikant speciaal voor dit elektrische gereedschap is voorzien en geadviseerd. *Het feit dat u het toebehoren aan het elektrische gereedschap kunt bevestigen, waarborgt nog geen veilig gebruik.*
- c. Het toegestane toerental van het inzetgereedschap moet minstens zo hoog zijn als het maximale toerental dat op het elektrische gereedschap is aangegeven. *Toebehoren dat sneller draait dan is toegestaan, kan onherstelbaar worden beschadigd.*
- d. De buitendiameter en de dikte van het inzetgereedschap moeten overeenkomen met de maatgegevens van het elektrische gereedschap. *Inzetgereedschappen met onjuiste afmetingen kunnen niet voldoende afgeschermd of gecontroleerd worden.*
- e. Slijpschijven, flenzen, steunschijven en ander toebehoren moeten nauwkeurig op de uitgaande as van het elektrische gereedschap passen. *Inzetgereedschappen die niet nauwkeurig op de uitgaande as van het elektrische gereedschap passen, draaien ongelijkmatig, trillen sterk en kunnen tot het verlies van de controle leiden.*
- f. Gebruik geen beschadigde inzetgereedschappen. Controleer voor het gebruik altijd inzetgereedschappen zoals slijpschijven op afsplinteringen en scheuren, steunschijven op scheuren of sterke slijtage en draadborstels op losse of gebroken draden. Als het elektrische gereedschap of het inzetgereedschap valt, dient u te controleren of het beschadigd is, of gebruik een onbeschadigd inzetgereedschap. Als u het inzetgereedschap hebt gecontroleerd en ingezet, laat u het elektrische gereedschap een minuut lang met het maximale toerental lopen. Daarbij dient u en dienen andere personen uit de buurt van het ronddraaiende inzetgereedschap te blijven. *Beschadigde inzetgereedschappen breken meestal gedurende deze testtijd.*
- g. Draag persoonlijke beschermende uitrusting. Gebruik afhankelijk van de toepassing een volledige

gezichtsbescherming, oogbescherming of veiligheidsbril. Draag voor zover van toepassing een stofmasker, een gehoorbescherming, werkhandschoenen of een speciaal schort dat kleine slijp- en metaaldeeltjes tegenhoudt. *Uw ogen moeten worden beschermd tegen wegvliegende deeltjes die bij verschillende toepassingen ontstaan. Een stof- of adembeschermingsmasker moet het bij de toepassing ontstaande stof filteren. Als u lang wordt blootgesteld aan luid lawaai, kan uw gehoor worden beschadigd.*

- h. Let erop dat andere personen zich op een veilige afstand bevinden van de plaats waar u werkt. Iedereen die de werkomgeving betreedt, moet persoonlijke beschermende uitrusting dragen. *Brokstukken van het werkstuk of gebroken inzetgereedschappen kunnen wegvliegen en verwondingen veroorzaken, ook buiten de directe werkomgeving.*
- i. Houd het elektrische gereedschap alleen vast aan de geïsoleerde greepvlakken als u werkzaamheden uitvoert waarbij het inzet-gereedschap verborgen stroomleidingen of de eigen netkabel kan raken. *Contact met een onder spanning staande leiding zet ook de metalen delen van het elektrische gereedschap onder spanning en leidt tot een elektrische schok.*
- j. Houd de stroomkabel uit de buurt van draaiende inzetgereedschappen. *Als u de controle over het elektrische gereedschap verliest, kan de stroomkabel worden doorgesneden of meegenomen en uw hand of arm kan in het ronddraaiende inzetgereedschap terechtkomen.*
- k. Leg het elektrische gereedschap nooit neer voordat het inzetgereedschap volledig tot stilstand is gekomen. *Het draaiende inzetgereedschap kan in contact komen met het oppervlak, waardoor u de controle over het elektrische gereedschap kunt verliezen.*
- l. Laat het elektrische gereedschap niet lopen terwijl u het draagt. *Uw kleding kan door toevallig contact met het draaiende inzetgereedschap worden meegenomen en het inzetgereedschap kan zich in uw lichaam boren.*
- m. Reinig regelmatig de ventilatieopeningen van het elektrische gereedschap. *De motorventilator trekt stof in het huis en een sterke ophoping van metaalstof kan elektrische gevaren veroorzaken.*
- n. Gebruik het elektrische gereedschap niet in de buurt van brandbare materialen. *Vonken kunnen deze materialen ontsteken.*
- o. Gebruik geen inzetgereedschappen waarvoor vloeibare koelmiddelen vereist zijn. *Het gebruik van water of andere vloeibare koelmiddelen kan tot een elektrische schok leiden.*

---

## TERUGSLAG EN BIJBEHORENDE WAARSCHUWINGEN

---

Terugslag is de plotselinge reactie als gevolg van een vasthakend of geblokkeerd draaiend inzetgereedschap, zoals een slijpschijf, steunschijf, draadborstel, enz. Vasthaken of blokkeren leidt tot abrupte stilstand van het ronddraaiende inzetgereedschap. Daardoor wordt een ongecontroleerd elektrisch gereedschap tegen de draairichting van het inzetgereedschap versneld op de plaats van de blokkering. Als bijvoorbeeld een slijpschijf in het werkstuk invalt, zich vastgrijpt, kan de rand van de slijpschijf die in het werkstuk invalt, zich vastgrijpen. Daardoor kan de slijpschijf uitbreken of een terugslag veroorzaken. De slijpschijf beweegt zich vervolgens naar de bediener toe of van de bediener weg, afhankelijk van de draairichting van de schijf

op de plaats van de blokkering. Hierbij kunnen slijpschijven ook breken. Een terugslag is het gevolg van het verkeerd gebruik of onjuiste gebruiksomstandigheden van het elektrische gereedschap. Terugslag kan worden voorkomen door geschikte voorzorgsmaatregelen, zoals hieronder beschreven.

- a. Houd het elektrische gereedschap goed vast en breng uw lichaam en uw armen in een positie waarin u de terugslagkrachten kunt opvangen. Gebruik altijd de extra handgreep, indien aanwezig, om de grootst mogelijke controle te hebben over terugslagkrachten of reactiemomenten bij het op toeren komen. *De bediener kan door geschikte voorzorgsmaatregelen de terugslag- en reactiekrachten beheersen.*
- b. Breng uw hand nooit in de buurt van draaiende inzetgereedschappen. *Het inzetgereedschap kan bij de terugslag over uw hand bewegen.*
- c. Mijd met uw lichaam het gebied waarheen het elektrische gereedschap bij een terugslag wordt bewogen. *De terugslag drijft het elektrische gereedschap in de richting die tegengesteld is aan de beweging van de slijpschijf op de plaats van de blokkering.*
- d. Werk bijzonder voorzichtig in de buurt van hoeken, scherpe randen, enz. Voorkom dat inzetgereedschappen van het werkstuk terugspringen en vastklemmen. *Het ronddraaiende inzetgereedschap neigt er bij hoeken, scherpe randen of wanneer het terugspringt toe om zich vast te klemmen. Dit veroorzaakt een controleverlies of terugslag.*
- e. Gebruik geen kettingblad of getand zaagblad. *Zulke inzetgereedschappen veroorzaken vaak een terugslag of het verlies van de controle over het elektrische gereedschap.*

---

## BIJZONDERE WAARSCHUWINGEN VOOR SLIJP- EN DOORSLIJPWERKZAAMHEDEN

---

- a. Gebruik uitsluitend het voor het elektrische gereedschap toegestane slijptoebehoeren en de voor dit slijptoebehoeren voorziene beschermkap. *Slijptoebehoeren dat niet voor het elektrische gereedschap is voorzien, kan niet voldoende worden afgeschermd en is niet veilig.*
- b. Slijptoebehoeren mag alleen worden gebruikt voor de geadviseerde toepassingsmogelijkheden. Bijvoorbeeld: slijp nooit met het zijvlak van een doorslijpschijf. *Doorslijpschijven zijn bestemd voor materiaalafname met de rand van de schijf. Een zijwaartse krachtinwerking op dit slijptoebehoeren kan het toebehoeren breken.*
- c. Gebruik altijd onbeschadigde spanflenzen in de juiste maat en vorm voor de door u gekozen slijpschijf. *Geschikte flenzen steunen de slijpschijf en verminderen zo het gevaar van een slijpschijfbreuk. Flenzen voor doorslijpschijven kunnen verschillen van de flenzen voor andere slijpschijven.*
- d. Gebruik geen versleten slijpschijven van grotere elektrische gereedschappen. *Slijpschijven voor grotere elektrische gereedschappen zijn niet geconstrueerd voor de hogere toerentallen van kleinere elektrische gereedschappen en kunnen breken.*

---

## OVERIGE BIJZONDERE WAARSCHUWINGEN VOOR DOORSLIJPWERKZAAMHEDEN

---

- a. Voorkom blokkeren van de doorslijpschijf en te hoge aandrukkracht. Slijp niet overmatig diep. *Een overbelasting van de doorslijpschijf vergroot de slijtage en de gevoeligheid voor kantelen*

of blokkeren en daardoor de mogelijkheid van een terugslag of breuk van het slijptoebehoren.

- b. Mijd de omgeving voor en achter de ronddraaiende doorslijpschijf. *Als u de doorslijpschijf in het werkstuk van u weg beweegt, kan in het geval van een terugslag het elektrische gereedschap met de draaiende schijf rechtstreeks naar u toe worden geslingerd.*
- c. Als de doorslijpschijf vastklemt of als u de werkzaamheden onderbreekt, schakelt u het elektrische gereedschap uit en houdt u het rustig tot de schijf tot stilstand is gekomen. Probeer nooit om de nog draaiende doorslijpschijf uit de groef te trekken. Anders kan een terugslag het gevolg zijn. *Stel de oorzaak van het vastklemmen vast en maak deze ongedaan.*
- d. Schakel het elektrische gereedschap niet opnieuw in zolang het zich in het werkstuk bevindt. Laat de doorslijpschijf eerst het volledige toerental bereiken voordat u het doorslijpen voorzichtig voortzet. *Anders kan de schijf vasthaken, uit het werkstuk springen of een terugslag veroorzaken.*
- e. Ondersteun platen of grote werkstukken om het risico van een terugslag door een ingeklemde doorslijpschijf te verminderen. *Grote werkstukken kunnen onder hun eigen gewicht doorbuigen. Het werkstuk moet aan beide zijden worden ondersteund, vlakbij de slijpgroef en aan de rand.*
- f. Wees bijzonder voorzichtig bij invallend frezen in bestaande muren of andere plaatsen zonder voldoende zicht. *De invallende doorslijpschijf kan bij het doorslijpen van gas- of waterleidingen, elektrische leidingen of andere objecten een terugslag veroorzaken.*

## BIJZONDERE WAARSCHUWINGEN VOOR WERKZAAMHEDEN MET DRAADBORSTELS

- a. Houd er rekening mee dat de draadborstel ook tijdens het normale gebruik draadstukken verliest. Overbelast de draden niet door een te hoge aandrukkracht. *Wegvliegende draadstukken kunnen gemakkelijk door dunne kleding en/of de huid dringen.*
- b. Als het gebruik van een beschermkap wordt geadviseerd, dient u te voorkomen dat beschermkap en draadborstel elkaar kunnen raken. *Vlakstaal- en koolstaalborstels kunnen door aandrukkracht en centrifugaalkrachten hun diameter vergroten.*
- c. Zorg bij het gebruik van een draadborstel dat de grens van 15.000 RPM niet wordt overschreden

## MILIEU

### AFVALVERWIJDERING

Elektrische gereedschappen, toebehoren en verpakkingen moeten op een voor het milieu verantwoorde wijze worden hergebruikt.

### ALLEEN VOOR LANDEN VAN DE EU



Gooi elektrische gereedschappen niet bij het huisvuil. Volgens de Europese richtlijn 2002/96/EG over elektrische en elektronische oude apparaten en de omzetting van de richtlijn in nationaal recht moeten niet meer bruikbare elektrische gereedschappen apart worden ingezameld en op een voor het milieu verantwoorde wijze worden hergebruikt.

## SPECIFICATIES

### ALGEMENE SPECIFICATIES

Nominale spanning . . . . . 230-240 V, 50-60 Hz  
Nominiaal vermogen . . . . . 175 W  
Snelheid onbelast (n) . . . . . 35.000 RPM  
Spancapaciteit . . . . . 0,8 mm, 1,6 mm, 2,4 mm,  
3,2 mm

Samenstelling Klasse II. . . . . Dubbel geïsoleerd bouwgereedschap (AFBEELDING 5)

### VERLENGKABELS

Gebruik helemaal uitgerolde en veilige verlengkabels met een capaciteit van 5A.

## MONTAGE

TREK ALTIJD EERST DE STEKKER VAN HET MULTIGEREEDSCHAP UIT HET STOPCONTACT, VOORDAT U INZETGEREEDSCHAPPEN OF SPANTANGEN GAAT WISSELEN OF ONDERHOUD AAN HET GEREEDSCHAP GAAT PLEGEN.

### ALGEMEEN

Het Dremel multigereedschap is een precisiegereedschap van hoge kwaliteit dat kan worden gebruikt voor het uitvoeren van gedetailleerde en ingewikkelde toepassingen. Het uitgebreide gamma aan Dremel accessoires en hulpstukken stelt u in staat om een grote verscheidenheid aan toepassingen uit te voeren. Deze omvatten toepassingen als schuren, uitsnijdingen maken en graveren en frezen, snijden, reinigen en polijsten.

#### AFBEELDING 6

- A. As-blokkeringsknop
- B. Aan/Uit-schakelaar
- C. Variabele snelheidsregeling
- D. Voedingskabel
- E. Ophanghaak
- F. Ventilatieopeningen
- G. Spantang
- H. As
- I. Afdekplaatje op de behuizing
- J. Spanmoer
- K. Spantang

### SPANTANGEN

De voor het multigereedschap verkrijgbare Dremel accessoires zijn er met verschillende schachtmaten. Er zijn vier maten spantangen verkrijgbaar voor de verschillende schachtmaten. De spantangmaten zijn te herkennen aan de ringen op de achterkant van de spantang.

#### AFBEELDING 7

- A. Spanmoer
- B. 3,2 mm spantang zonder ring (480)
- C. 2,4 mm spantang met drie ringen (481)
- D. 1,6 mm spantang met twee ringen (482)

- E. 0,8 mm spantang met één ring (483)
- F. Identificatieringen

*OPMERKING: Sommige multigereedschapsets bevatten eventueel niet alle vier spantangmaten. Spantangen zijn apart verkrijgbaar.*

Gebruik altijd de spantang die overeenkomt met de maat van de as-schacht van het accessoire dat u wilt gaan gebruiken. Probeer niet een schacht met een grotere diameter in een kleinere spantang te duwen.

---

## SPANTANGEN WISSELEN

---

### AFBEELDING 8

- A. Spantang
  - B. As-blokkeringsknop
  - C. Spanmoer
  - S. Losdraaien
  - E. Vastdraaien
1. Druk op de as-blokkeringsknop, houd deze ingedrukt en draai de as met de hand tot de schacht blokkeert. Druk de as-blokkeringsknop niet in terwijl het multigereedschap draait.
  2. Draai bij ingedrukte as-blokkeringsknop de spanmoer los en verwijder deze. Gebruik indien nodig de spantang.
  3. Verwijder de spantang door deze van de as te trekken.
  4. Plaats de spantang van het juiste formaat in de as en breng de spanmoer opnieuw handvast aan. Draai de moer niet helemaal vast als er geen accessoire of inzetgereedschap is geplaatst.

---

## ACCESSOIRES WISSELEN

---

### AFBEELDING 8

1. Druk op de as-blokkeringsknop, houd deze ingedrukt en draai de as met de hand tot de schachtblokkering vastklikt. *Druk de as-blokkeringsknop niet in terwijl het multigereedschap draait.*
2. Draai bij ingedrukte as-blokkeringsknop de spanmoer los (maar verwijder deze niet). Gebruik indien nodig de spantang.
3. Plaats de schacht van het accessoire of inzetgereedschap helemaal in de spantang.
4. Terwijl de asvergrendeling is ingeschakeld, moet u de spanmoer handvast vastdraaien tot de schacht van het accessoire door de spantang wordt vastgegrepen.  
*OPMERKING: Lees absoluut de bij uw Dremel accessoire meegeleverde instructies voor meer informatie over het gebruik ervan.*

Gebruik uitsluitend door Dremel geteste accessoires met groot prestatievermogen.

---

## BALANCEREN VAN DE ACCESSOIRES

---

Voor precisiewerk is het van belang dat alle accessoires goed in balans zijn (vergelijkbaar met de banden van uw auto). Om een accessoire in de juiste stand te brengen of te balanceren, draait

u de spanmoer enigszins los en draait u het accessoire of de spanmoer een kwartslag. Draai de spanmoer opnieuw aan en gebruik het Rotatiegereedschap. U kunt zowel horen als voelen of het accessoire in balans is. Blijf het accessoire bijstellen tot de best mogelijk balans is bereikt.

---

## EEN GOED BEGIN

---

### GEBRUIK

---

De eerste stap bij het gebruik van het multigereedschap is u vertrouwd maken met het gereedschap. Houd het gereedschap in uw hand en voel het gewicht en de balans. Voel de taps toelopende behuizing. Dit tapse toelopen maakt het mogelijk om het gereedschap bijna als een pen of potlood vast te houden. *Houd het gereedschap altijd uit de buurt van uw gezicht. Accessoires kunnen worden beschadigd tijdens het gebruik en kunnen uit elkaar spatten door het hoge toerental.*

*Bedenk bij het vasthouden van het gereedschap niet de ventilatieopeningen met uw hand. Blokkeren van de ventilatieopeningen kan leiden tot oververhitting van de motor.*

BELANGRIJK! Oefen eerst op een stuk afvalmateriaal om te kijken hoe het gereedschap bij hoge snelheid presteert. Denk eraan dat uw multigereedschap het beste werk levert, wanneer u de snelheid, samen met het juiste Dremel accessoire en juiste hulpstuk, het werk voor u laat doen. Oefen indien mogelijk tijdens gebruik geen druk uit op het gereedschap. Breng in plaats daarvan het draaiende accessoire lichtjes omlaag naar het werkstukoppervlak en laat de punt daar contact maken waar u wilt beginnen. Concentreer u op het geleiden van het gereedschap over het werkstuk, met een lichte druk van uw hand. Sta toe dat het accessoire het werk doet. Het is gewoonlijk beter om met het gereedschap een aantal keren dezelfde bewerkingsstappen uit te voeren dan om de hele klus in één keer te willen doen. Een voorzichtige aanpak zorgt voor de beste controle en vermindert de kans op fouten.

---

## HET GEREEDSCHAP VASTHOUDEN

---

Voor de beste controle bij nauwkeurig werk moet u het multigereedschap als een pen tussen duim en wijsvinger houden.

### AFBEELDING 9

Het vasthouden als een golfclub is de beste methode voor zwaardere bewerkingen zoals slijpen of snijden. AFBEELDING 10

### Neusstuk

Er is een apart neusstuk verkrijgbaar voor het uitvoeren van precisiewerk. Dit neusstuk is trilobulair van vorm waardoor de gebruiker het gemakkelijk tussen duim en wijsvinger kan vasthouden. Dankzij de slanke vormgeving hebt u uitstekend zicht bij het uitvoeren van gedetailleerd ets-, snij- en graveerwerk. Dit neusstuk wordt niet bij alle sets meegeleverd. AFBEELDING 11

---

## WERKTOERENTALEN

---

Om de juiste snelheid voor een bepaalde klus te selecteren, gebruikt u een stuk oefenmateriaal.

## "AAN/UIT" SCHUIFREGELAAR

U zet het gereedschap "AAN" met behulp van de schuifregelaar aan de bovenkant van de behuizing van de motor.

OM HET GEREEDSCHAP "AAN" TE ZETTEN, schuift u de regelaar naar voren.

OM HET GEREEDSCHAP "UIT" TE ZETTEN, schuift u de regelaar naar achteren.

## KRACHTIGE MOTOR

Uw gereedschap is voorzien van een krachtige motor in het rotatiegereedschap. Deze motor versterkt de veelzijdigheid van het rotatiegereedschap door de aandrijving van de extra Dremel-hulpstukken.

## ELEKTRONISCHE FEEDBACK

Uw gereedschap is uitgerust met een intern elektronisch feedbacksysteem dat een "soft start" levert waardoor de belasting als gevolg van een te snel verhoogd toerental wordt teruggebracht. Bovendien kan met behulp van dit systeem de vooraf ingestelde snelheid vrijwel constant worden gehouden bij nullast en vollast.

## VARIABLE SNELHEIDSREGELING

Uw gereedschap is voorzien van een variabele snelheidsregeling. De snelheid kan tijdens gebruik worden aangepast door de snelheid vooraf op of tussen bepaalde posities af te stellen .

De snelheid van het Rotatiegereedschap stelt u in via deze snelheidsregeling op de behuizing. AFBEELDING 12

## Afstellingen voor globale toerentallen

Instelling regelaar	Snelheidsbereik
5	5.000 RPM
10	10.000 RPM
*15	15.000 RPM
20	20.000 RPM
25	25.000 RPM
30	30.000 RPM
35	35.000 RPM

\* Zorg bij het gebruik van een draadborstel dat de grens van 15.000 RPM niet wordt overschreden

Raadpleeg de tabel met toerentalinstellingen op de pagina's 4-7 om het juiste toerental voor het te bewerken materiaal en het gebruikte accessoire te helpen bepalen.

De meeste klussen kunnen worden uitgevoerd wanneer het gereedschap in de hoogste stand wordt gebruikt. Bepaalde materialen (sommige kunststoffen en metalen) kunnen echter worden beschadigd door de hitte die vrijkomt bij een hoog toerental, en dienen met relatief lage toerentallen te worden bewerkt. Gebruik met een laag toerental (15.000 OPM of minder) is gewoonlijk het beste voor polijstwerkzaamheden met de polijstaccessoires van vilt. Alle toepassingen met de draadborstel vereisen lagere toerentallen om te voorkomen dat draadstukken uit de houder vliegen. Laat de prestatie van het gereedschap het werk voor u doen bij het gebruik van lagere toerentallen. Hogere

toerentallen zijn beter voor hardhout, metalen en glas en voor boren, uitsnijdingen maken, snijden, frezen, frezen van profielen en zagen van plinten of sponningen in hout.

Enkele richtlijnen met betrekking tot het toerental van het gereedschap:

- Kunststof en ander materiaal dat bij lage temperaturen smelt, moet met een laag toerental worden bewerkt.
- Polijsten, poetsen en reinigen met een draadborstel moet met een toerental niet hoger dan 15.000 OPM worden uitgevoerd om schade aan de borstel en uw materiaal te voorkomen.
- Hout moet met een hoog toerental worden gezaagd.
- IJzer of staal moet met een hoog toerental worden gezaagd.
- Als een snelfrees voor staal begint te trillen, wijst dit er gewoonlijk op dat deze te langzaam draait.
- Aluminium, koperlegeringen, zinklegeringen en tin kunnen met verschillende toerentallen worden bewerkt, afhankelijk van het type bewerking dat u wilt uitvoeren. Gebruik een paraffine (geen water) of een ander geschikt smeermiddel om te voorkomen dat er materiaalresten tussen de zaagtanden van de frees gaan zitten.

*OPMERKING: Verhoging van de druk op het gereedschap is niet de juiste reactie, wanneer het niet correct presteert. Probeer een andere accessoire of een andere toerentalinstelling om het gewenste resultaat te verkrijgen.*

## ONDERHOUD

*Preventief onderhoud dat uitgevoerd wordt door onbevoegd personeel, kan resulteren in verkeerd terugplaatsen van inwendige draden en onderdelen. Hierdoor ontstaat groot gevaar. Wij raden aan, dat alle onderhoudswerkzaamheden aan het gereedschap uitgevoerd worden door de Dremel service-afdeling. Om letsel door onverwacht starten of een elektrische schok te vermijden, moet u altijd de stekker uit het stopcontact trekken voordat u onderhouds- of reinigingswerkzaamheden gaat uitvoeren.*

## REINIGING



**LET OP**

OM ONGELUKKEN TE VOORKOMEN MOET U VOOR HET REINIGEN HET GEREEDSCHAP EN/OF DE LADER LOSHALEN VAN DE VOEDINGSSPANNING. *Het gereedschap kunt u het best met droge compressielucht reinigen.* Draag altijd een veiligheidsbril als u compressielucht gebruikt bij het reinigen.

Ventilatieopeningen en hendels moet u vrij houden van materiaal dat daar niet thuishoort. Reinig het gereedschap niet door scherpe voorwerpen door een opening te steken.



**LET OP**

SOMMIGE REINIGINGSMIDDELEN EN OPLOSMIDDELEN BESCHADIGEN DE KUNSTSTOFONDERDELEN. Een aantal van deze middelen zijn: benzine, tetrachloorkoolstof, vloeibaar reinigingsmiddelen met chloor, ammonia en huishoudelijke reinigingsmiddelen met ammonia.

## SERVICE EN GARANTIE



### LET OP

GEEN ONDERDELEN DIE ONDERHOUD VERGEN IN HET APPARAAT. Preventief onderhoud uitgevoerd door niet-geautoriseerd onderhoudspersoneel kan leiden tot verkeerd aansluiten van draden en componenten en daardoor een ernstig gevaar vormen. *Wij raden u aan alle onderhoud aan het gereedschap te laten uitvoeren door een Dremel-servicecentrum.* **ONDERHOUDSPERONEEL:** *Trek de stekker van het gereedschap en/of de lader uit het stopcontact voordat u met het onderhoud begint.*

onderhoud uitgevoerd door niet-geautoriseerd onderhoudspersoneel kan leiden tot verkeerd aansluiten van draden en componenten en daardoor een ernstig gevaar vormen. *Wij raden u aan alle onderhoud aan het gereedschap te laten uitvoeren door een Dremel-servicecentrum.* **ONDERHOUDSPERONEEL:** *Trek de stekker van het gereedschap en/of de lader uit het stopcontact voordat u met het onderhoud begint.*

Op dit product van DREMEL is garantie van toepassing conform de specifieke wettelijke/landelijke voorschriften; schade als gevolg van normale slijtage, overbelasting of verkeerd gebruik, valt niet onder de garantie.

Bij een klacht dient u het gereedschap of de lader *ongedemonteerd* en samen met het aankoopbewijs op te sturen naar de vertegenwoordiger.

## CONTACT OPNEMEN MET DREMEL

Voor meer informatie over het assortiment, de ondersteuning en telefonische klantendienst van Dremel, gaat u naar [www.dremel.com](http://www.dremel.com).

Dremel Europe, Postbus 3267, 4800 DG Breda, Nederland

## OVERSÆTTELSE AF BETJENINGSVEJLEDNING



### ADVARSEL LÆS ALLE SIKKERHEDS-VEJLEDNINGER. (BILLEDE 1)

*Det kan medføre risiko for elektrisk stød, brandfare og risiko for alvorlige personskader at ignorere sikkerhedsvejledningerne. Gem alle sikkerhedsvejledninger til senere brug. Betegnelsen "elektrisk værktøj" i disse forskrifter omfatter alt elektrisk værktøj, der tilsluttes lysnettet (med kabel) eller batteridrevet værktøj (uden kabel).*

## SIKKERHED PÅ ARBEJDSSTEDET




- Sørg for, at arbejdsområdet er rent og ryddeligt. *Uorden og uoplyste arbejdsområder øger faren for uheld.*
- Brug ikke maskinen i eksplosionstruede omgivelser, hvor der er brændbare væsker, gasser eller støv. *El-værktøj kan slå gnister, der kan antænde støv eller dampe.*
- Sørg for, at andre personer og ikke mindst børn holdes væk fra arbejdsområdet, når maskinen er i brug. *Hvis man distraheres, kan man miste kontrollen over maskinen.*

## ELEKTRISK SIKKERHED

- Maskestik skal passe til kontakten. Stikket må under ingen omstændigheder ændres. Brug ikke adapterstik sammen med jordforbundne maskiner. *Uændrede stik, der passer til kontakterne, nedsætter risikoen for elektrisk stød.*

- Undgå kropskontakt med jordforbundne overflader som f.eks. rør, radiatorer, komfurer og køleskabe. *Hvis din krop er jordforbundet, øges risikoen for elektrisk stød.*
- Maskinen må ikke udsættes for regn eller fugt. *Indtrængning af vand i maskinen øger risikoen for elektrisk stød.*
- Brug ikke kablet til formål, den ikke er beregnet til (f.eks. må man aldrig bære maskinen i kablet, hæng maskinen op i kablet eller rykke i kablet for at trække stikket ud af kontakten). Beskyt kablet mod varme, olie, skarpe kanter eller maskindele, der er i bevægelse. *Beskadigede eller indviklede kabler øger risikoen for elektrisk stød.*
- Hvis maskinen benyttes i det fri, må der kun benyttes en forlængerledning, der er godkendt til udendørs brug. *Brug af forlængerledning til udendørs brug nedsætter risikoen for elektrisk stød.*
- Hvis det ikke kan undgås at bruge maskinen i fugtige omgivelser, skal der bruges et HFI-relæ. *Brug af et HFI-relæ reducerer risikoen for at få elektrisk stød.*

## PERSONLIG SIKKERHED

- Det er vigtigt at være opmærksom, se, hvad man laver, og bruge maskinen fornuftigt. Man bør ikke bruge maskinen, hvis man er træt, har nydt alkohol eller er påvirket af medicin eller euforiserende stoffer. *Få sekunders uopmærksomhed ved brug af maskinen kan føre til alvorlige personskader.*
-  Brug beskyttelsesudstyr og hav altid beskyttelsesbriller på. *Brug af beskyttelsesudstyr, f.eks. støvmaske og skridsikkert fodtøj, (afhængigt af el-værktøjets type og anvendelsesområde) reducerer risikoen for kvæstelser. (BILLEDE 2 + 3 + 4)*
- Undgå utilsigtet igangsætning. Kontrollér altid, at el-værktøjet er slukket, før stikket sættes i. *Undgå at bære maskinen med fingrene på afbryderen og sørg for, at maskinen ikke er tændt, når den sluttes til nettet, da dette øger risikoen for personskader.*
- Fjern indstillingsværktøj eller skruenøgle, inden maskinen tændes. *Hvis et stykke værktøj eller en nøgle sidder i en roterende maskindel, er der risiko for personskader.*
- Overvurdér ikke dig selv. *Sørg for at stå sikkert, mens der arbejdes, og kom ikke ud af balance. Det er derved nemmere at kontrollere maskinen, hvis der skulle opstå uventede situationer.*
- Brug øget arbejdstøj. *Undgå løse beklædningsgenstande eller smykker. Hold hår, tøj og handsker væk fra dele, der bevæger sig. Dele, der er i bevægelse, kan gribe fat i løstsiddende tøj, smykker eller langt hår.*
- Hvis støvudsugnings- og opsamlingsudstyr kan monteres, er det vigtigt, at dette tilsluttes og benyttes korrekt. *Brug af dette udstyr nedsætter risikoen for personskader som følge af støv.*

## OMHYGGELIG BRUG OG HÅNDBETINGELSE AF EL-VÆRKTØJ

- Overbelast ikke maskinen. Brug altid en maskine, der er beregnet til det stykke arbejde, der skal udføres. *Med den rigtige maskine arbejder man bedst og mest sikkert inden for det angivne effektområde.*
- Brug ikke en maskine, hvis afbryder er defekt. *En maskine, der ikke kan startes og stoppes, er farlig og skal repareres.*

- c. Træk stikket ud af stikkontakten, inden maskinen indstilles, der skiftes tilbehør, eller maskinen lægges fra. *Disse sikkerhedsforanstaltninger forhindrer utilsigtet start af maskinen.*
- d. Opbevar ubenyttet el-værktøj uden for børns rækkevidde. Lad aldrig personer, der ikke er fortrolige med maskinen eller ikke har gennemlæst disse instrukser, benytte maskinen. *El-værktøj er farligt, hvis det benyttes af ukendte personer.*
- e. Maskinen bør vedligeholdes omhyggeligt. Kontrollér om bevægelige dele fungerer korrekt og ikke sidder fast, og om delene er brækket eller beskadiget, således at maskinens funktion påvirkes. Få beskadigede dele repareret, inden maskinen tages i brug. *Mange uheld skyldes dårligt vedligeholdte maskiner.*
- f. Sørg for, at skæreværktøjer er skarpe og rene. *Omhyggeligt vedligeholdte skæreværktøjer med skarpe skærekanter sætter sig ikke så hurtigt fast og er nemmere at føre.*
- g. Brug el-værktøj, tilbehør, indsatsværktøj osv. iht. disse instrukser, og sådan som det kræves for denne specielle værktøjstype. Tag hensyn til arbejdsforholdene og det arbejde, der skal udføres. *I tilfælde af anvendelse af værktøjet til formål, som ligger uden for det fastsatte anvendelsesområde, kan der opstå farlige situationer.*

**ADVARSEL** Arbejd ikke med asbestholdige materialer (asbest kan fremkalde kræft)

**ADVARSEL** De nødvendige sikkerhedsforanstaltninger skal følges, da der kan frembringes støv under arbejdet, som kan være sundhedsskadeligt, brandfarligt eller eksplosivt (visse typer kan være kræftfremkaldende). Brug en støvmaske og et støv/spåndkast, hvis dette kan kobles til.

## SERVICE

- a. Sørg for, at maskinen kun repareres af kvalificerede fagfolk, og at der kun benyttes originale reservedele. *Dermed sikres størst mulig maskinsikkerhed.*

## FÆLLES SIKKERHEDSVEJLEDNINGER I FORBINDELSE MED GROVERE OG FINERE SLIBNING, STÅLBØRSTNING, POLERING ELLER SLIBENDE AFSKÆRING

- a. Dette el-værktøj kan anvendes som sliber, sandpapirsliber, trådbørste, poleringsmaskine og skæremaskine. Læs og overhold alle advarsler, instruktioner, illustrationer og data, som du modtager i forbindelse med el-værktøjet. *Overholder du ikke følgende instruktioner, kan du få elektrisk stød, der kan opstå brand og /eller du kan blive kvæstet alvorligt.*
- b. Anvend kun tilbehør, hvis det er beregnet til dette el-værktøj og anbefalet af fabrikanten. *En mulig fastgørelse af tilbehøret til el-værktøjet sikrer ikke en sikker anvendelse.*
- c. Den tilladte hastighed for indsatsværktøjet skal mindst være så høj som den max. hastighed, der er angivet på el-værktøjet. *Tilbehør, der drejer hurtigere end tilladt, kan blive ødelagt.*
- d. Indsatsværktøjets udvendige diameter og tykkelse skal svare til målene på dit el-værktøj. *Forkert målte indsatsværktøjer kan ikke afskærmes eller kontrolleres tilstrækkeligt.*
- e. Slibeskiver, flanger, slibebagskiver eller andet tilbehør skal passe nøjagtigt til slibespindlen på dit el-værktøj. *Indsatsværktøj, der ikke passer nøjagtigt på el-værktøjets slibespindel, drejer ujævnt, vibrerer meget stærkt og kan medføre, at man taber kontrollen.*
- f. Brug ikke el-værktøjet, hvis det er beskadiget. Kontrollér altid før brug indsatsværktøj som f.eks. slibeskiver for afsplintninger og revner, slibebagskiver for revner, slid eller stærkt slid, trådbørster for løse eller brækkede træde. *Tabes el-værktøjet eller indsatsværktøjet på jorden, skal du kontrollere, om det er beskadiget; anvend evt. et ubeskadiget indsatsværktøj. Når indsatsværktøjet er kontrolleret og indsat, skal du holde dig selv og personer, der befinder sig i nærheden, uden for det niveau, hvor indsatsværktøjet roterer, og lad el-værktøjet køre i et minut ved højeste hastighed. *Beskadiget indsatsværktøj brækker for det meste i denne testtid.**
- g. Brug personligt beskyttelsesudstyr. Brug helmaske til ansigtet, øjenvern eller beskyttelsesbriller, afhængigt af det udførte arbejde. Brug afhængigt af arbejdets art støvmaske, hørevern, beskyttelseshandsker eller specialforklæde, der beskytter dig mod små slibe- og materialepartikler. *Øjenene skal beskyttes mod fremmede genstande, der flyver rundt i luften og som opstår i forbindelse med forskelligt arbejde. Støv- eller åndedrætsmaske skal filtrere det støv, der opstår under arbejdet. Udsættes du for høj støj i længere tid, kan du lide høretab.*
- h. Sørg for tilstrækkelig afstand til andre personer under arbejdet. Enhver, der betræder arbejdsområdet, skal bruge personligt beskyttelsesudstyr. *Brudstykker fra emnet eller brækkede indsatsværktøjer kan flyve væk og føre til kvæstelser også uden for det direkte arbejdsområde.*
- i. Hold altid kun el-værktøjet i de isolerede gribefflader, når du udfører arbejde, hvor indsatsværktøjet kan ramme bøjede strømledninger eller værktøjets eget kabel. *Kontakt med en spændingsførende ledning sætter også metaldele under spænding, hvilket fører til elektrisk stød.*
- j. Hold netkablet væk fra roterende indsatsværktøj. *Taber du kontrollen over el-værktøjet, kan netkablet skæres over eller rammes, og din hånd eller din arm kan trækkes ind i det roterende indsatsværktøj.*
- k. Læg aldrig el-værktøjet til side, før indsatsværktøjet står helt stille. *Det roterende indsatsværktøj kan komme i kontakt med fralægningsfladen, hvorved indsatsværktøjet kan bore sig ind i din krop.*
- l. Lad ikke el-værktøjet køre, mens det bæres. *Dit tøj kan blive fanget ved en tilfældig kontakt med det roterende indsatsværktøj, hvorved indsatsværktøjet kan bore sig ind i din krop.*
- m. Rengør ventilationsåbningerne på dit el-værktøj med regelmæssige mellemrum. *Motoren trækker støv ind i huset, og store mængder metalstøv kan være farligt rent elektrisk.*
- n. Brug ikke el-værktøjet i nærheden af brændbare materialer. *Gnister kan sætte ild i materialer.*
- o. Brug ikke indsatsværktøj, der transporterer flydende kølemiddel. *Brug af vand eller andre flydende kølemidler kan føre til elektrisk stød.*



---

## TILBAGESLAG OG TILSVARENDE ADVARSLER

---

Tilbageslag er en pludselig reaktion, som skyldes, at et roterende tilbehør (slibemaskine, slibebagskive, trådbørste osv.) har sat sig fast eller blokerer. Fastsættelse eller blokering fører til et pludseligt stop af det roterende tilbehør. Derved accelererer et ukontrolleret el-værktøj mod tilbehørets drejeretning på blokeringsstedet. Sidder f.eks. en slibeskive fast eller blokerer i et arbejdsøse, kan kanten på slibeskiven, der dykker ned i arbejdsøset, blive siddende, hvorved slibeskiven brækker af eller fører til et tilbageslag. Slibeskiven bevæger sig så hen imod eller væk fra betjeningspersonen, afhængigt af skivens drejeretning på blokeringsstedet. I denne forbindelse kan slibeskiver også brække. Et tilbageslag skyldes forkert eller fejlbehæftet brug af el-værktøjet. Det kan forhindres ved at træffe egnede forsigtighedsforanstaltninger, der beskrives i det følgende.

- Hold godt fast i el-værktøjet og sørg for at både krop og arme befinder sig i en position, der kan klare tilbageslagskræfterne. Anvend altid ekstrahåndtaget, hvis et sådant findes, for at have så meget kontrol som muligt over tilbageslagskræfterne eller reaktionsmomenterne, når maskinen kører op i hastighed. *Betjeningspersonen kan beherske tilbageslags- og reaktionskræfterne med egnede forsigtighedsforanstaltninger.*
- Sørg for at din hånd aldrig kommer i nærheden af det roterende tilbehør. *Tilbehøret kan bevæge sig hen over din hånd i forbindelse med et tilbageslag.*
- Undgå at din krop befinder sig i det område, hvor el-værktøjet bevæger sig i forbindelse med et tilbageslag. *Tilbageslaget driver el-værktøjet i modsat retning af slibeskivens bevægelse på blokeringsstedet.*
- Arbejd særlig forsigtig i områder som f.eks. hjørner, skarpe kanter osv. Undgå, at tilbehøret slår tilbage fra arbejdsøset og sætter sig fast. *Det roterende tilbehør har tendens til at sætte sig fast, når det anvendes i hjørner, skarpe kanter eller hvis det springer tilbage. Dette medfører tab af kontrol eller tilbageslag.*
- Brug ikke kædesavklinger eller tandede savklinger. *Sådant indsatsværktøj fører hyppigt til tilbageslag eller til at man taber kontrollen over el-værktøjet.*

---

## SÆRLIGE ADVARSELSHENVISNINGER TIL SLIBNING OG SKÆREARBEJDE

---

- Brug udelukkende slibeskiver/slibestifter, der er godkendt til dit el-værktøj, og den beskyttelsesskærm, der er beregnet til disse slibeskiver/slibestifter. *Slibeskiver/ slibestifter, der ikke er beregnet til el-værktøjet, kan ikke beskyttes tilstrækkeligt og er usikre.*
- Slibeskiver/slibestifter må kun anvendes til de anbefalede formål. F.eks.: Slib aldrig med sidefladen på en skæreskive. *Skæreskiver er bestemt til materialeafslibning med kanten på skiven. Udsættes disse slibeskiver/slibestifter for sidevendt kraftpåvirkning, kan de ødelægges.*
- Anvend altid ubeskadigede spændeflanger i den rigtige størrelse og form, der passer til den valgte slibeskive. *Egnede flanger støtter slibeskiven og forringer således faren for brud på slibeskiven. Flanger til skæreskiver kan være forskellige fra flanger for andre slibeskiver.*
- Brug ikke slidte slibeskiver, der passer til større el-værktøj. *Slibeskiver til større el-værktøj kan brække, da de ikke er egnede til de højere omdrejningstal, som småt el-værktøj arbejder med.*

---

## YDERLIGERE SÆRLIGE ADVARSELSHENVISNINGER TIL SKÆREARBEJDE

---

- Undgå at skæreskiven blokerer eller får for højt modtryk. Foretag ikke meget dybe snit. *Overbelastas skæreskiven, øges skivens belastning og der er større tendens til, at skiven kan sætte sig i klemme eller blokere, hvilket igen kan føre til tilbageslag eller brud på slibeskiven/slibestiften.*
- Undgå området for og bag ved den roterende skæreskive. *Bevæger du skæreskiven i emnet væk fra dig selv, kan el-værktøjets roterende skive slynges direkte ind mod dig i tilfælde af et tilbageslag.*
- Sidder skæreskiven i klemme eller afbryder du arbejdet, slukkes el-værktøjet og maskinen holdes roligt, til skiven er stoppet. Forsøg aldrig at trække skæreskiven ud af snittet, mens den roterer, da dette kan føre til et tilbageslag. *Lokalisér og afhjælp fejlen.*
- Tænd ikke for el-værktøjet, så længe det befinder sig i arbejdsøset. Sørg for at skæreskiven når op på sit fulde omdrejningstal, før du forsigtigt fortsætter snittet. *Ellers kan skiven sætte sig i klemme, springe ud af arbejdsøset eller forårsage et tilbageslag.*
- Understøt plader eller store arbejdsøser for at reducere risikoen for et tilbageslag som følge af en fastklemt skæreskive. *Store arbejdsøser kan bøje sig under deres egen vægt. Arbejdsøset skal støttes på begge sider, både i nærheden af skæresnittet og ved kanten.*
- Vær særlig forsigtig ved „lommensnit“ i bestående vægge eller andre områder, hvor man ikke har direkte indblik. *Den neddykkende skæreskive kan forårsage et tilbageslag, når der skæres i gas- eller vandledninger, elektriske kabler eller andre genstande.*

---

## SÆRLIGE ADVARSELSHENVISNINGER I FORBINDELSE MED ARBEJDE MED TRÅDBØRSTER

---

- Vær opmærksom på, at trådbørsten også taber trådstykker under almindelig brug. Overbelast ikke trådene med et for stort tryk. *Flyvende trådstykker kan meget hurtigt trænge ind under tyndt tøj og/eller huden.*
- Anbefales det at bruge en beskyttelsesskærm, skal du forhindre, at beskyttelsesskærm og trådbørste kan berøre hinanden. *Tallerken- og kopbørster kan øge deres diameter som følge af tryk og centrifugalkraft.*
- Arbejd ikke med stålborster ved mere end højst 15.000 omdrejninger/minut.

---

## MILJØ

---

### BORTSKAFFELSE

---

El-værktøj, tilbehør og emballage skal genbruges på en miljørigtig måde.

## GÆLDER KUN I EU-LANDE




Smid ikke el-værktøj ud sammen med det almindelige husholdningsaffald!

Iht. det europæiske direktiv 2002/96/EF om affald af elektrisk og elektronisk udstyr skal kasseret elektrisk udstyr indsamles separat og genbruges iht. gældende miljøforskrifter.

## SPECIFIKATIONER

### GENERELLE SPECIFIKATIONER

Nominal spænding	230-240 V, 50-60 Hz
Nominal effekt	175 W
Nominal hastighed (n)	35.000 omdr./min.
Patronens kapacitet	0,8 mm, 1,6 mm, 2,4 mm, 3,2 mm

 Klasse II-konstruktion . . . Værktøj med dobbeltisoleret konstruktion (BILLEDE 5)

### FORLÆNGERLEDNINGER

Brug altid kun sikre forlængerledninger med en kapacitet på 5 ampere, og rul dem helt ud.

### MOTORSPECIFIKATIONER

Dette multiværktøj er forsynet med en variabel højhastighedsmotor. Det er konstrueret til anvendelse ved 230-240 volt, 50-60 Hz. Kontrollér altid, at forsyningsspændingen svarer til den spænding, der er angivet på værktøjets typeskilt (værktøj med en nominal spænding på 230 V eller 240 V kan også tilsluttes 220 V).

## SAMLING

TRÆK ALTID MULTIVÆRKTØJETS STIK UD AF STIKKONTAKTEN FØR UDSKIFTNING AF TILBEHØR ELLER SPÆNDEPATRONER ELLER FØR EFTERSYN AF VÆRKTØJET.

### GENERELT

Dremels multiværktøj er et førsteklasses præcisionsværktøj, som kan anvendes til detaljerede og krævende opgaver. Det brede sortiment af Dremel tilbehør og -forsatser giver dig mulighed for at udføre en lang række forskellige opgaver, herunder slibning, udskæring og gravering, fræsning, skæring, rengøring og polering.

#### BILLEDE 6

- A. Knap til aksellås
- B. Tænd/sluk-kontakt
- C. Variabel hastighedsskala
- D. Netkabel
- E. Ophæng
- F. Luftåbninger
- G. Spændenøgle
- H. Aksel

- I. Dæksel til hus
- J. Spændemøtrik
- K. Spændepatron

## SPÆNDEPATRONER

Dremel tilbehøret til multiværktøjet fås med forskellige skaftstørrelser. Spændepatronerne fås i fire størrelser, der passer til de forskellige skaftdiametre. Spændepatronstørrelserne kan identificeres ved hjælp af ringene bag på spændepatronen.

#### BILLEDE 7

- A. Spændemøtrik
- B. 3,2 mm spændepatron uden ring (480)
- C. 2,4 mm spændepatron med tre ringe (481)
- D. 1,6 mm spændepatron med to ringe (482)
- E. 0,8 mm spændepatron med én ring (483)
- F. Identifikationsringe

*BEMÆRK! Nogle multiværktøjssæt indeholder muligvis ikke alle fire spændepatronstørrelser. Spændepatronerne fås enkeltvis.*

Brug altid den spændepatron, som svarer til størrelsen på skaftet for det tilbehør, der skal bruges. Forsøg ikke at presse et værktøj med en større skaftdiameter ned i en mindre spændepatron.

## UDSKIFTNING AF SPÆNDEPATRONER

#### BILLEDE 8

- A. Spændenøgle
- B. Knap til aksellås
- C. Spændemøtrik
- D. Løsne
- E. Spænd

1. Tryk på knappen til aksellåsen, hold den nede, og drej skaftet med hånden, indtil knappen går i indgreb på akslen. Bring ikke knappen til aksellåsen i indgreb, når multiværktøjet kører.
2. Bring knappen til aksellåsen i indgreb, og løs og fjern spændemøtrikken. Brug om nødvendigt spændenøglen.
3. Fjern spændepatronen ved at trække den fri af skaftet.
4. Monter spændepatronen med den korrekte størrelse på skaftet, genmonter spændemøtrikken, og spænd den til med fingrene. Spænd ikke møtrikken helt, så længe der ikke er isat en bit eller et tilbehør.

## UDSKIFTNING AF TILBEHØR

#### BILLEDE 8

1. Tryk på knappen til aksellåsen, og drej skaftet med hånden, indtil knaplåsen går i indgreb. *Bring ikke knappen til aksellåsen i indgreb, når multiværktøjet kører.*
2. Bring knappen til aksellåsen i indgreb, og løs (men fjern ikke) spændemøtrikken. Brug om nødvendigt spændenøglen.
3. Skub bitten eller tilbehørsskaftet helt ind i spændepatronen.
4. Bring knappen til aksellåsen i indgreb, og spænd spændemøtrikken til med fingrene, indtil spændepatronen har fat om bitten eller tilbehørets skaft.

**BEMÆRK!** Husk at læse den vejledning, der følger med dit Dremel tilbehør, for at få yderligere oplysninger om brugen af dette.

Anvend kun højtydende tilbehør testet af Dremel.

## AFBALANCERING AF TILBEHØR

I forbindelse med præcisionsarbejde er det vigtigt, at alt tilbehør er i god balance (stort set ligesom dækkene på en bil). Hvis du skal centrere eller afbalancere tilbehør, skal du løse spændemøtrikken en smule og dreje tilbehøret eller spændepatronen 1/4 omdrejning. Spænd møtrikken igen, og start værktøjet. Du bør både kunne høre og mærke, om tilbehøret sidder korrekt. Fortsæt med at justere på denne måde, indtil den optimale balance opnås.

## INTRODUKTION

### BRUG

Første trin i brugen af multiværktøjet er at få "føling" med værktøjet. Hold det i hænderne, og mærk dets vægt og balance. Mærk kabinettets konusform. Konusformen gør det meget lettere at tage fat i værktøjet, som var det en kuglepen eller en blyant.

*Hold altid værktøjet, så det vender væk fra ansigtet. Tilbehør kan blive beskadiget ved håndtering og kan slynges væk i flere stykker, når hastigheden øges.*

*Værktøjet skal holdes, så du ikke blokerer luftåbningerne med hånden. Hvis luftåbningerne blokeres, kan motoren blive overophedet.*

**VIGTIGT!** Afprøv værktøjet på affaldsmaterialer først for at lære, hvordan værktøjet arbejder med høj hastighed. Husk, at multiværktøjets ydelse er optimal, når hastigheden i samarbejde med det rette Dremel tilbehør og de rette Dremel forsats gør arbejdet for dig. Værktøjet skal så vidt muligt trykkes ind mod emnet ved brug. Du skal i stedet sænke det roterende tilbehør en smule i forhold til emnets overflade og give det mulighed for at berøre det punkt, hvor du vil begynde. Koncentrér dig om at føre værktøjet hen over emnet uden at trykke ret meget med hånden. Lad tilbehøret gøre arbejdet. Det vil normalt være bedre at køre værktøjet hen over emnet flere gange end at gøre hele arbejdet i én arbejdsgang. Et let greb giver optimal kontrol og mindsker risikoen for fejl.

## SÅDAN HOLDER DU VÆRKTØJET

Den bedste kontrol ved fint arbejde opnår du ved at holde multiværktøjet som en blyant mellem tommel- og pegefingre. BILLEDE 9 "Golf-grebet" anvendes til grovere arbejde, f.eks. slibning eller skæring. BILLEDE 10

### Forsats

En separat forsats fås til præcisionsarbejde. Forsatsens trilobulære form gør den behagelig at klemme om med tomlen og pegefingrene. Den slanke form betyder, at man har en fremragende sigtelinje under arbejde med detaljeret ætsning, udskæring og gravering. Denne forsats indgår ikke i alle pakker. BILLEDE 11

## DRIFTSFASTIGHEDER

Prøv først at arbejde med et stykke af materialet for at finde den rigtige hastighed til opgaven.

### "TÆND/SLUK"-KONTAKT

Værktøjet startes ("TIL") med kontakten på oversiden af motorhuset. TÆND VÆRKTØJET ("TIL") ved at skubbe kontakten fremad. SLUK VÆRKTØJET ("FRA") ved at skubbe kontakten bagud.

### MOTOR MED STOR KAPACITET

Værktøjet er udstyret med en rotationsværktøjsmotor med stor kapacitet. Denne motor gør rotationsværktøjet endnu mere alsidigt, fordi det er muligt at arbejde med tilbehør fra Dremel

### ELEKTRONISK FEEDBACK

Værktøjet er udstyret med et internt elektronisk feedbacksystem, der leverer en "blød start", hvilket reducerer de spændinger, der ellers opstår, når der startes med et højt drejningsmoment. Systemet er også med til at fastholde den hastighed, der er valgt på forhånd, på et stort set konstant niveau mellem tomgang og belastning.

### VARIABEL HASTIGHEDSSKALA

Værktøjet er udstyret med en variabel hastighedsskala. Hastigheden kan reguleres under arbejdet, hvis skalaen på forhånd indstilles til en bestemt indstilling eller imellem to indstillinger.

Rotationsværktøjets hastighed reguleres vha. denne skala på huset. BILLEDE 12

### Indstillinger for omtrentlige omdrejninger

Skift indstilling	Hastighedsområde
5	5.000 omdr./min.
10	10.000 omdr./min.
*15	15.000 omdr./min.
20	20.000 omdr./min.
25	25.000 omdr./min.
30	30.000 omdr./min.
35	35.000 omdr./min.

\* Arbejd ikke med stålborster ved mere end højst 15.000 omdrejninger/ minut.

Se skemaet "Hastighedsindstillinger" på side 4-7 for at finde den korrekte hastighed og det rette tilbehør til bearbejdning af materialet.

Værktøjet kan klare de fleste opgaver, når det er indstillet til højeste hastighed. Nogle materialer (f.eks. nogle typer plast og metal) kan dog blive beskadiget på grund af den varme, der opstår ved højhastighedsbearbejdning, og de bør derfor bearbejdes ved relativt lav hastighed. Lav hastighed (15.000 o/min eller lavere) er normalt at foretrække ved polering, hvor poleringsudstyret af filt anvendes. Al bearbejdning med børster bør udføres ved lav hastighed for at undgå, at børstetråde frigøres fra holderen. Lad værktøjet gøre arbejdet for dig, når du arbejder med lav hastighed. Højere hastighed er bedre egnet til bearbejdning af hårde træsorter, metal og glas samt til boring, udskæring, skæring, fræsning, formning og udskæring af friser eller falseopgaver i træ.

Et par retningslinjer for indstilling af værktøjshastigheden:

- Plast og andre materialer, der smelter ved lave temperaturer, skal skæres med lav hastighed.
- Polering, højglanspolering og rengøring med stålborste skal foretages med en hastighed, der er under 15.000 o/min for at undgå at beskadige børsten og materialet, der bearbejdes.
- Træ skal skæres ved høj hastighed.
- Jern og stål skal skæres med høj hastighed.
- Hvis et skærende højhastighedsværktøj begynder at vibrere ved bearbejdning af stål, er det normalt et tegn på, at hastigheden er for lav.
- Aluminium, kobberlegeringer, blylegeringer, zinklegeringer og tin kan skæres ved forskellige hastigheder afhængigt af den konkrete skæringsmetode. Anvend paraffin (ikke vand) eller et andet velegnet smøremiddel på klingens for at undgå, at materialet hænger fast på værktøjets skær.

SV

**BEMÆRK:** Det hjælper ikke at presse værktøjet ind mod emnet, når værktøjet ikke kører korrekt. Prøv i stedet at skifte tilbehør eller arbejdhastighed for at opnå det ønskede resultat.

## VEDLIGEHOLDELSE

Forebyggende vedligeholdelse udført af uautoriserede personer indebærer en risiko for ombytning af indvendige ledere og komponenter, hvilket kan være farligt. Vi anbefaler, at al service på værktøjet udføres af et Dremel serviceværksted. Tag altid stikket ud, før reparation eller rengøring af værktøjet påbegyndes, da der ellers er risiko for personskader som følge af elektrisk stød eller for, at værktøjet starter uventet.

## RENGØRING

**ADVARSEL** AFBRYD ALTID FORBINDELSEN MELLEMS  
STIKKONTAKTEN OG VÆRKTØJET/  
OPLADEREN FØR RENGØRING. Værktøjet rengøres mest effektivt  
med tør trykluft. Brug altid beskyttelsesbriller under rensning af  
værktøjet med trykluft.

Ventilationsåbninger og knapper skal holdes rene og fri for fremmedlegemer. Forsøg ikke at gøre værktøjet rent ved at stikke spidse genstande ind gennem en åbning.

**ADVARSEL** VISSE RENGØRINGS- OG  
OPLØSNINGSMIDLER KAN BESKADIGE  
PLASTDELE. Det drejer sig bl.a. om: benzin, tetraklorulstof,  
klorerede rengøringsmidler, ammoniak og rengøringsmidler, der  
indeholder ammoniak.

## SERVICE OG GARANTI

**ADVARSEL** INGEN UDSKIFTELIGE, INDVENDIGE DELE.  
Forebyggende vedligeholdelse, som  
udføres af uautoriseret personale, kan medføre, at indre  
ledninger og komponenter anbringes forkert, hvilket kan være til  
stor fare. Vi anbefaler, at al service på værktøjet udføres af et  
Dremel-servicecenter. SERVICEPERSONALE: Afbryd forbindelsen  
mellem stikkontakten og værktøjet/opladeren før service.

Dette DREMEL-produkt er omfattet af en garanti i overensstemmelse med de gældende nationale love. Skader, der skyldes almindelig slitage, overbelastning eller forkert anvendelse, er ikke omfattet af garantien.

Ved reklamationer indsendes værktøjet eller opladeren (*der ikke må være adskilt*) sammen med købsbeviset til forhandleren.

## KONTAKT DREMEL

Du kan finde flere oplysninger om Dremels produkter, support og hotline på [www.dremel.com](http://www.dremel.com).

Dremel Europe, P.O. Box 3267, 4800 DG Breda, Holland

## ÖVERSÄTTNING AV ORIGINALINSTRUKTIONER



### ⚠️ VARNING LÄS ALLA SÄKERHETS- FÖRESKRIFTER OCH

#### ANVISNINGAR. (BILD 1)

Underlåtenhet att följa föreskrifterna och anvisningarna kan leda till elstöt, brand och/eller allvarliga personskador.

#### Spara föreskrifterna och anvisningarna för framtida bruk.

Begreppet "elverktyg" i föreskrifterna syftar på nätdrivna elverktyg (med nätsladd) eller batteridrivna elverktyg (sladdlösa).

## SÄKERHET PÅ ARBETSPLATSEN


- Ren och välbelyst. *Oordning på arbetsplatsen och dåligt belyst arbetsområde kan leda till olyckor.*
- Använd inte elverktyget i explosionsfarlig omgivning med brännbara vätskor, gaser eller damm. *Elektriska verktyg avger gnistor som kan antända damm eller gas.*
- Håll under arbetet med elverktyget barn och obehöriga personer på betryggande avstånd. *Risken för olyckor ökar om du förlorar koncentrationen när du arbetar.*

## ELEKTRISK SÄKERHET

- Elverktygets stickpropp måste passa till vägguttaget. Stickproppen får absolut inte ändras. Använd inte adapterkontakter tillsammans med skyddsjordade elverktyg. *Öförändrade stickproppar och passande vägguttag reducerar risken för elstöt.*
- Undvik kroppskontakt med jordade ytor som t. ex. rör, värmeelement, spisar och kylskåp. *Det finns en större risk för elstöt om din kropp är jordad.*
- Skydda elverktyget mot regn och väta. *Tränger vatten in i ett elverktyg ökar risken för elstöt.*
- Missbruka inte nätsladden och använd den inte för att bära eller hänga upp elverktyget och inte heller för att dra stickproppen ur vägguttaget. Håll nätsladden på avstånd från värme, olja, skarpa kanter och rörliga maskindelar. *Skadade eller tilltrasslade ledningar ökar risken för elstöt.*
- När du arbetar med ett elverktyg utomhus använd endast förlängningsladdor som är godkända för utomhusbruk. *Om en lämplig förlängningsladd för utomhusbruk används minskar risken för elstöt.*

- f. Använd en jordfelsbrytare om det inte är möjligt att undvika elverktygets användning i fuktig miljö. *Genom att använda en jordfelsbrytare minskas risken för elstöt.*

## PERSONSÄKERHET

- a. Var uppmärksam, kontrollera vad du gör och använd elverktyget med förnuft. Använd inte elverktyget när du är trött eller om du är påverkad av droger, alkohol eller mediciner. *En ögonblicks uppmärksamhet när du arbetar med elverktyg kan orsaka allvarliga personskador.*
- b.  Bär alltid personlig skyddsutrustning och skyddsåtgärden. *Användning av personlig skyddsutrustning som t. ex. dammfiltermask, halkfria säkerhetsskor, skyddshjälm och hörselskydd reducerar alltefter elverktygets typ och användning risken för kroppsskada. (BILD 2 + 3 + 4)*
- c. Undvik oavsiktlig igångsättning. Kontrollera att elverktyget har kopplats från innan du ansluter stickproppen till vägguttaget. *Om du bär elverktyget med fingret på strömställaren eller ansluter påkopplat elverktyg till nätströmmen kan olycka uppstå.*
- d. Ta bort alla inställningsverktyg och skruvnycklar innan du kopplar på elverktyget. *Ett verktyg eller en nyckel i en roterande komponent kan medföra kroppsskada.*
- e. Luta eller sträck dig inte när du arbetar. *Se till att du står stadigt och håller balansen. Då kan du lättare kontrollera elverktyget i oväntade situationer.*
- f. Bär lämpliga arbetskläder. *Bär inte löst hängande kläder eller smycken. Håll håret, kläderna och handskarna på avstånd från rörliga delar. Löst hängande kläder, långt hår och smycken kan dras in av roterande delar.*
- g. Vid elverktyg med dammutslagnings- och uppsamlingsutrustning kontrollera att anordningarna är rätt monterade och att de används på korrekt sätt. *Dessa anordningar reducerar faroriskerna i samband med damm.*

## KORREKT ANVÄNDNING OCH HANTERING AV ELVERKTYG

- a. Överbelasta inte elverktyget. Använd för aktuell arbete avsett elverktyg. *Med ett lämpligt elverktyg kan du arbeta bättre och säkrare inom angivet effektområde.*
- b. Ett elverktyg med defekt strömställare får inte längre användas. *Ett elverktyg som inte kan kopplas in eller ur är farligt och måste repareras.*
- c. Dra stickproppen ur vägguttaget innan inställningar utförs, tillbehörsdelar byts ut eller elverktyget lagras. *Denna skyddsåtgärd förhindrar oavsiktlig start av elverktyget.*
- d. Förvara elverktygen oåtkomliga för barn. *Låt inte elverktyget användas av personer som inte är förtrogna med dess användning eller inte läst denna anvisning. Elverktygen är farliga om de används av oerfarna personer.*
- e. Sköt elverktyget omsorgsfullt. Kontrollera att rörliga komponenter fungerar felfritt och inte kärvar, att komponenter inte brustit eller skadats; orsaker som kan leda till att elverktygets funktioner påverkas menligt. *Låt skadade delar repareras innan elverktyget tas i bruk. Många olyckor orsakas av dåligt skötta elverktyg.*

- f. Håll skärverktygen skarpa och rena. *Omsorgsfullt skötta skärverktyg med skarpa egggar kommer inte så lätt i kläm och går lättare att styra.*
- g. Använd elverktyget, tillbehör, insatsverktyg osv. enligt dessa anvisningar och på sätt som föreskrivits för aktuell verktygsmodell. *Ta hänsyn till arbetsvillkoren och arbetsmomenten. Används elverktyget på icke ändamålsenligt sätt kan farliga situationer uppstå.*

**VARNING** Asbesthaltigt material får inte bearbetas (asbest anses vara cancerframkallande).

**VARNING** Vidta skyddsåtgärder om risk finns för att hälsovådligt, brännbart eller explosivt damm uppstår under arbetet (vissa damm klassifi ceras som cancerframkallande ämnen); använd en dammfi ltermask och om möjligt damm-/spånutsugning.

## SERVICE

- a. Låt en kvalificerad servicetekniker utföra service på elverktyget. Endast identiska reservdelar bör användas. *Det säkerställer att elverktyget fortsätter att fungera säkert.*

## GEMENSAMMA SÄKERHETSANVISNINGAR FÖR SLIPNING, SANDPAPPERSSLIPNING, ARBETEN MED STÅLBORSTE, POLERING ELLER KAPSLIPNING.

- a. Elverktyget kan användas som slip-, slippappersslip-, stålborste-, polerings- och kapslipmaskin. Beakta alla säkerhetsanvisningar, anvisningar, illustrationer och data som levereras med elverktyget. *Om nedanstående anvisningar ignoreras finns risk för att elstöt, brand och/eller allvarliga personskador uppstår.*
- b. Använd inte tillbehör som tillverkaren inte uttryckligen godkänt och rekommenderat för detta elverktyg. *Även om tillbehör kan fästas på elverktyget finns det ingen garanti för en säker användning.*
- c. Insatsverktygets tillåtna varvtal måste åtminstone motsvara elverktygets angivna högsta varvtal. *Tillbehör med en högre rotationshastighet kan förstöras.*
- d. Insatsverktygets yttre diameter och tjocklek måste motsvara elverktygets dimensioner. *Feldimensionerade insatsverktyg kan inte på betryggande sätt avskärmas och kontrolleras.*
- e. Slipskivor, flänsar, sliprondeller och annat tillbehör måste passa exakt på elverktygets slippindel. *Insatsverktyg som inte exakt passar till elverktygets slippindel roterar ojämnt, vibrerar kraftigt och kan leda till att kontrollen över verktyget går förlorat.*
- f. Använd aldrig skadade insatsverktyg. Kontrollera före varje användning insatsverktygen som t.ex. slipskivor avseende splitterskador och sprickor, sliprondeller avseende sprickor, repor eller kraftig nedslitning, stålborstar avseende lösa eller brustna trådar. Om elverktyget eller insatsverktyget skulle falla ned kontrollera om skada uppstått eller montera ett oskadat insatsverktyg. Du och andra personer i närheten ska efter kontroll och montering av insatsverktyg stå utanför

insatsverktygets rotationsradie; låt sedan elverktøget rotera en minut med högsta varvtal. *Skadade insatsverktyg går i de flesta fall sönder vid denna provkörning.*

- g. Använd personlig skyddsutrustning. Använd alltefter avsett arbete ansiktsskärm, ögonskydd eller skyddsglasögon. Om så behövs använd dammfiltermask, hörselskydd, skyddshandskar eller skyddsförkläde som skyddar mot utslungade slip- och materialpartiklar. *Ögonen ska skyddas mot utslungade främmande partiklar som kan uppstå under arbetet. Damm- och andningsskydd måste kunna filtrera bort det damm som eventuellt uppstår under arbetet. Risk finns för hörselskada under en längre tids kraftigt buller.*
- h. Se till att obehöriga personer hålls på tryggande avstånd från arbetsområdet. Alla som rör sig inom arbetsområdet måste använda personlig skyddsutrustning. *Brottstycken från arbetsstycket eller insatsverktygen kan slungas ut och orsaka personskada även utanför arbetsområdet.*
- i. Håll fast elverktøget endast vid de isole-rade handtagen när arbeten utförs på ställen där insatsverktyget kan skada dolda elledningar eller egen nätsladd. *Om elverktøget kommer i kontakt med en spänningsförande ledning sätts elverktøgets metalldelar under spänning som sedan leder till elstöt.*
- j. Håll nätsladden på avstånd från roterande insatsverktyg. *Om du förlorar kontrollen över elverktøget kan nätsladden kapas eller dras in varvid risk finns för att din hand eller arm dras mot det roterande insatsverktyget.*
- k. Lägg aldrig bort elverktøget innan insatsverktyget stannat fullständigt. *Det roterande insatsverktyget kan komma i beröring med underlaget varvid risk finns att du förlorar kontrollen över elverktøget.*
- l. Elverktøget får inte rotera när det bärs. *Kläder kan vid tillfällig kontakt med det roterande insatsverktyget dras in varvid insatsverktyget dras mot din kropp.*
- m. Rengör regelbundet elverktøgets ventilationsöppningar. *Motorfläkten drar in damm i huset och en kraftig anhopning av metalldamm kan orsaka farliga elströmmar.*
- n. Använd inte elverktøget i närheten av brännbara material. *Risk finns för att gnistor antänder materialerna.*
- o. Använd inte insatsverktyg som kräver flytande kylmedel. *Vatten eller andra kylvätskor kan medföra elstöt.*

---

## VARNING FÖR BAKSLAG

---

Ett bakslag är en plötslig reaktion hos insatsverktyget när t. ex. slipskivan, sliprondellen, stålborsten hakar upp sig eller blockerar. Detta leder till abrupt uppbramsning av det roterande insatsverktyget. Härvid accelererar ett okontrollerat elverktøg mot insatsverktygets rotationsriktning vid inklämningsstället. Om t. ex. en slipskiva hakar upp sig eller blockerar i arbetsstycket kan slipskivans kant i arbetsstycket klämmas fast varvid slipskivan bryts sönder eller orsakar bakslag. Slipskivan rör sig nu mot eller bort från användaren beroende på skivans rotationsriktning vid inklämningsstället. Härvid kan slipskivan även brytas sönder. Bakslag uppstår till följd av missbruk eller felaktig hantering av elverktøget. Detta kan undvikas genom skyddsåtgärder som beskrivs nedan.

- a. Håll stadigt i elverktøget samt kroppen och armarna i ett läge som är lämpligt för att motstå bakslagskrafter. Använd alltid stödhandtaget för bästa möjliga kontroll av

bakslagskrafter och reaktionsmoment vid start. *Användaren kan genom lämpliga försiktighetsåtgärder bättre behärska bakslags- och reaktionskrafterna.*

- b. Håll alltid handen på tryggande avstånd från det roterande insatsverktyget. *Insatsverktyget kan vid ett bakslag gå mot din hand.*
- c. Undvik att hålla kroppen inom det område elverktøget rör sig vid ett bakslag. *Bakslaget kommer att driva elverktøget i motsatt riktning till slipskivans rörelse vid inklämningsstället.*
- d. Var särskilt försiktig vid bearbetning av hörn, skarpa kanter osv. Håll emot så att insatsverktyget inte studsar ut från arbetsstycket eller kommer i kläm. *På hörn, skarpa kanter eller vid studsning tenderar det roterande insatsverktyget att komma i kläm. Detta kan leda till att kontrollen förloras eller att bakslag uppstår.*
- e. Använd aldrig kedje- eller tandade sågklingor. *Dessa insatsverktyg orsakar ofta ett bakslag eller förlust av kontrollen över elverktøget.*

---

## SPECIELLA VARNINGAR FÖR SLIPNING OCH KAPSLIPNING

---

- a. Använd endast slipkroppar som godkänts för aktuellt elverktøg och de sprängskydd som är avsedda för dessa slipkroppar. *Slipkroppar som inte är avsedda för aktuellt elverktøg kan inte på tryggande sätt skyddas och är därför farliga.*
- b. Slipkroppar får användas endast för rekommenderade arbeten. Slipa t.ex. aldrig med kapskivans sidoyta. *Kapskivor är avsedda för materialavverkning med skivans kant. Om tryck från sidan utövas mot slipkroppen kan den spricka.*
- c. För vald slipskiva ska alltid oskadade spännflansar i korrekt storlek och form användas. *Lämpliga flansar stöder slipskivan och reducerar risken för slipskivsbrott. Flansar för kapskivor och andra slipskivor kan ha olika utseende och form.*
- d. Använd inte nedslitna slipskivor från större elverktøg. *Slipskivor för större elverktøg är inte konstruerade för de mindre elverktøgens högre varvtal och kan därför spricka.*

---

## ANDRA SPECIELLA SÄKERHETSANVISNINGAR FÖR KAPSLIPNING

---

- a. Se till att kapskivan inte kommer i kläm och att den inte utsätts för högt mottryck. *Försök inte skära för djupt. Om kapskivan överbelastas ökar dess påfrestning och risk finns för att den snedvids eller blockerar som sedan kan resultera i bakslag eller slipskivsbrott.*
- b. Undvik området framför och bakom den roterande kapskivan. *Om du för kapskivan i arbetsstycket bort från kroppen kan i händelse av ett bakslag elverktøget med roterande skiva slungas mot din kropp.*
- c. Om kapskivan kommer i kläm eller arbetet avbryts, koppla från elverktøget och håll det stilla tills skivan stannat fullständigt. *Försök aldrig dra ut en roterande kapskiva ur skärspåret för detta kan leda till bakslag. Lokalisera och åtgärda orsaken för inklämning.*
- d. Koppla inte åter på elverktøget om det sitter i arbetsstycket. *Låt kapskivan uppnå fullt varvtal innan den försiktigt förs in i skärspåret för fortsatt kapning. I annat fall kan skivan haka upp sig, hoppa ur arbetsstycket eller orsaka bakslag.*

- e. För att reducera risken för ett bakslag till följd av inklämd kapskiva ska skivor och andra stora arbetsstycken stödas. *Stora arbetsstycken kan råka böjas till följd av hög egenvikt. Arbetsstycket måste därför stödas på båda sidorna både i närheten av skärspåret och vid kanten.*
- f. Var speciellt försiktig vid "fickkapning" i dolda områden, t. ex. i en färdig vägg. *Där risk finns att kapskivan kommer i kontakt med vattenledningar, elledningar eller andra föremål som kan orsaka bakslag.*

## SPECIELLA SÄKERHETSANVISNINGAR FÖR ARBETEN MED STÅLBORSTAR

- a. Observera att trådborstar även under normal användning förlorar trådbitar. Överbelasta inte stålborsten med för högt anliggningstryck. *Utslungade trådbitar kan lätt tränga in genom kläder och/eller i huden.*
- b. När sprängskydd används bör man se till att sprängskyddet och trådborsten inte berör varandra. *Tallriks- och toppborstarnas diameter kan till följd av anliggningstryck och centrifugalkrafter bli större.*
- c. Överstig inte 15 000 varv/minut vid användning av stålborstar.

## MILJÖ

### AVFALLSHANTERING

Elverktyg, tillbehör och förpackning ska omhändertas på miljövänligt sätt för återvinning.

### ENDAST FÖR EU-LÄNDER



Släng inte elverktyg i hushållsavfallet!  
Enligt europeiska direktivet 2002/96/EG för kasserade elektriska och elektroniska apparater och dess modifiering till nationell rätt måste obrukbara elverktyg omhändertas separat och på miljövänligt sätt lämnas in för återvinning.

## SPECIFIKATIONER

### ALLMÄNNA SPECIFIKATIONER

Spänning	230-240 V, 50-60 Hz
Märkeffekt	175 W
Varvtal (n)	35 000 varv/minut
Spännhylsekapacitet	0,8 mm, 1,6 mm, 2,4 mm, 3,2 mm

Skyddsklass II. Dubbelisolerade elverktyg (BILD 5)

### FÖRLÄNGNINGSSLADDAR

Använd helt uttrullade och säkra förlängningssladdar med en kapacitet på 5 A.

## MONTERING

DRA ALLTID UR MULTIVERKTYGETS KONTAKT INNAN DU BYTER INSATSVERKTYG, BYTER SPÄNNHYLSOR ELLER UTFÖR SERVICE.

### ALLMÄNT

Dremel-multiverktyget är ett precisionsverktyg av hög kvalitet, som kan användas för detaljerade och komplicerade arbetsuppgifter. Tack vare Dremels stora sortiment av insatsverktyg och tillsatser kan du utföra en mängd uppgifter, t.ex. sandpappersslipning, snide, gravyr, fräsning, kapning, rengöring och polering.

#### BILD 6

- A. Skaftläsknapp
- B. Strömbrytare
- C. Varvtalesreglering
- D. Nätkabel
- E. Hängare
- F. Ventilationsöppningar
- G. Chucknyckel
- H. Axel
- I. Spännhylskåpa
- J. Nosmutter
- K. Spännhylsa

### SPÄNNHYLSOR

Multiverktygets Dremel-tillbehör har olika stora fästen. Det finns spännhylsor i fyra olika storlekar för att passa olika stora fästen. På spännhylsornas baksida finns ringar som anger dess storlek.

#### BILD 7

- A. Nosmutter
- B. 3,2 mm spännhylsa utan ring (480)
- C. 2,4 mm spännhylsa med tre ringar (481)
- D. 1,6 mm spännhylsa med två ringar (482)
- E. 0,8 mm spännhylsa med en ring (483)
- F. Märkringar

*OBS! I en del multiverktygssatser ingår inte alla fyra spännhylsestorlekarna. Spännhylsor kan köpas separat.*

Använd alltid den spännhylsa som motsvarar storleken på fästet på det tillbehör du tänker använda. Tvinga aldrig in ett fäste med större diameter i en mindre spännhylsa.

### BYTA SPÄNNHYLSOR

#### BILD 8

- A. Chucknyckel
- B. Skaftläsknapp
- C. Nosmutter
- D. Lossa
- E. Dra åt

1. Tryck på skaftlåsknappen, håll ner och vrid på skaftet för hand tills muttern fäster i skaftet. Använd inte skaftlåsknappen när multiverktyget är igång.
2. Skruva loss och ta bort nosmuttern när skaftlåsknappen är nedtryckt. Använd chucknyckeln vid behov.
3. Dra bort spännhylsan från skaftet.
4. Montera en spännhylsa av korrekt storlek i skaftet och skruva på nosmuttern med handkraft. Dra inte åt muttern helt när inget borr eller insatsverktyg är monterat.

## BYTA INSATSVERTYGG

BILD 8

1. Tryck på skaftlåsknappen och vrid på skaftet för hand tills det fäster i skaftlåset. *Använd inte skaftlåsknappen när multiverktyget är igång.*
2. Lossa nosmuttern utan att ta bort den när skaftlåsknappen är nedtryckt. Använd chucknyckeln vid behov.
3. Sätt in borret eller insatsverktygets fäste helt i spännhylsan.
4. Håll skaftlåsknappen intryckt och dra åt nosmuttern för hand tills spännhylsan griper tag i borret eller tillbehörsfästet. *OBS! Läs anvisningarna som medföljde Dremel-tillbehöret. Där finns mer information om hur det används.*

Använd endast tillbehör som godkänts av Dremel.

## BALANSERA INSATSVERTYGG

Det är viktigt att insatsverktygen är riktigt balanserade vid precisionsarbete (ungefär som däckan på bilen). Lossa nosmuttern en aning och vrid insatsverktyget eller spännhylsan ett kvarts varv för att råta till eller balansera insatsverktyget. Dra åt nosmuttern och starta verktyget. Man kan i regel avgöra om insatsverktyget är balanserat genom ljudet och känna på verktyget. Fortsätt justera på det här sättet tills insatsverktyget är riktigt balanserat.

## KOMMA IGÅNG

### ANVÄNDNING

Första steget när du ska använda multiverktyget är att få en "känsla" för hur det fungerar. Håll den i handen och känn dess vikt och balans. Känn på det avsmalnande höljet. Formen gör att du kan hålla i verktyget på samma sätt som en penna.

*Håll alltid verktyget riktat bort från ansiktet. Tillbehör kan skadas under transport och flyga av när de börjar rotera snabbt.*

*Håll inte verktyget så att ventilationsöppningarna täcks över när du använder det. Då kan motorn bli överhettad.*

**VIKTIGT!** Öva först på spillmaterial, så att du lär dig hur verktyget arbetar. Tänk på att multiverktyget fungerar som bäst om du låter hastigheten, tillsammans med rätt Dremel-tillbehör och tillsats, göra arbetet åt dig. Undvik om möjligt att lägga tryck på verktyget. Sänk i stället ner det roterande insatsverktyget försiktigt mot arbetsytan, och låt det vidröra det ställe där du vill börja. Koncentrera dig på att föra verktyget över arbetsstycket med endast ett lätt tryck med handen. Låt tillbehöret utföra arbetet.

Det är oftast bättre att föra verktyget flera gånger över arbetsytan i stället för att göra hela jobbet i ett svep. Ett försiktigt tryck ger den bästa kontrollen och minskar risken för fel.

## HÅLLA I VERKTYGET

För att få bästa kontroll vid små arbeten håller du multiverktyget mellan tummen och pekfingeret som en penna. BILD 9 "Golfgreppet" används för tyngre arbeten som slipning eller kapning. BILD 10

### Nosstycke

För precisionsarbeten finns ett separat nosstycke. Den avsmalnande formen gör att användaren kan hålla nosen i ett bekvämt grepp mellan tummen och pekfingeret. Den smäckra formen har en utmärkt siktlinje för detaljrik etsning, snidning och gravering. Nosen ingår inte i alla satser. BILD 11

## DRIFTHASTIGHET

Öva på en bit material för att välja rätt varvtal för jobbet i fråga.

### STRÖMSTÄLLARE "TILL/FRÅN"

Starta verktyget med strömställaren ovanpå motorhöljet. Tryck strömställaren framåt FÖR ATT STARTA VERKTYGET. Dra strömställaren bakåt FÖR ATT SLÅ AV VERKTYGET.

### MOTOR MED HÖGA PRESTANDA

Verktyget har en högpresterande motor för rotationsverktyg. Motorn ökar rotationsverktygets användbarhet genom att driva flera tillbehör från Dremel.

### ELEKTRONISK GIVARE

Verktyget har en inbyggd elektronisk givare som ger en "mjukstart". Det minskar påfrestningen som uppstår vid start med högt varvtal. Den här anordningen ser också till att hålla det inställda varvtalet i stort sett konstant både vid och utan belastning.

### VARVTALESREGLERING

Verktyget är utrustat med en steglös varvtalsreglering. Hastigheten kan justeras under användning genom att ställa in ratten på eller mellan någon av inställningarna.

Varvtalet på rotationsverktyget regleras med ratten på höljet. BILD 12

### Inställningar för ungefärligt varvtal

Inställning varvtalsreglage	Varvtal
5	5.000 varv/minut
10	10.000 varv/minut
*15	15.000 varv/minut
20	20.000 varv/minut
25	25.000 varv/minut
30	30.000 varv/minut
35	35.000 varv/minut

\* Överstig inte 15 000 varv/minut vid användning av stålborstar.



Med hjelp av tabellen med varvtalsinnstillingar på sidan 4-7 kan du ta reda på rätt varvtal för det material du arbetar i och det insatsverktyg du använder.

De flesta arbeten kan utföras med högsta varvtal på verktyget. Vissa material (en del plaster och metaller) kan emellertid skadas av den värme som genereras vid höga hastigheter. Där bör i stället relativt låga varvtal användas. Låga varvtal (15.000 varv/minut eller lägre) passar oftast bäst vid polering med poleringstillbehör av filt. All borstning kräver lägre varvtal för att undvika att trådarna lossnar ur hållaren. Låt verktyget göra arbetet när du använder låga varvtal. Högre varvtal passar bättre för hårda träslag, metall och glas, och vid borring, skärning, kapning, fräsning, tillformning och lghalsfräsning eller fälsning i trä.

Några riktlinjer vad gäller varvtal:

- Plast och andra material med låg smältpunkt bör bearbetas på låga varvtal.
- Polering, putsning och rengöring med stålborste måste göras med varvtal lägre än 15.000 varv/min, eftersom tillbehöret och materialet annars kan skadas.
- Trä ska bearbetas med högt varvtal.
- Järn och stål ska bearbetas med högt varvtal.
- Om en höghastighetsfräs börjar vibrera är det ofta ett tecken på att den körs för långsamt.
- Aluminium, tenn samt koppar-, bly- och zinklegeringar kan bearbetas med olika varvtal beroende på vilken typ av skärning som ska göras. Använd paraffin eller annat lämpligt smörjmedel (ej vatten) på tillbehöret för att undvika att materialet fastnar på skäregegn.

*OBS! Det är ingen lösning att öka trycket på verktyget om det inte fungerar som det ska. Prova med ett annat insatsverktyg eller varvtal för att uppnå önskat resultat.*

## UNDERHÅLL

Om någon obehörig utför det förebyggande underhållet kan det leda till att inre ledningar och komponenter kommer bort, vilket är en stor säkerhetsrisk. Vi rekommenderar att du låter en Dremelrepresentant utföra all service på verktyget. För att undvika skador på grund av elstötar eller start av misstag bör du alltid dra ut kontakten ur vägguttaget innan service eller rengöring.

## RENGÖRING

**VARNING** FÖR ATT UNDVIKA OLYCKOR, STÅNG ALLTID AV ELVERKTYGET OCH LADDAREN OCH DRA UR NÄTSLADDEN INNAN RENGÖRING. Verktyget rengörs bäst med tryckluft. Bär alltid skyddsglasögon när du gör rent verktyg med tryckluft.

Ventilationsöppningar och strömmställare måste hållas rena och fria från skräp. Försök aldrig rengöra verktyget genom att peta i öppningarna med ett vasst föremål.



**VARNING**

VISSA RENGÖRINGS- OCH LÖSNINGSMEDEL

KAN SKADA PLASTDELARNA. Det kan

handla om: bensin, koltetraklorid, klorerade lösningsmedel, ammoniak och tvättmedel som innehåller ammoniak.

## SERVICE OCH GARANTI



**VARNING**

INNEHÅLLER INGA DELAR SOM KAN

ANVÄNDAREN KAN BYTA. Förebyggande

underhåll som utförs av en obehörig person kan leda till att inre kablar och komponenter kommer bort, vilket är en stor säkerhetsrisk. Vi rekommenderar att du låter en Dremel serviceverkstad utföra all service på verktyget.

*SERVICEPERSONAL: Koppla ur verktyget/laddaren från eluttaget innan underhållsarbetet påbörjas.*

Den här produkten från DREMEL omfattas av garanti i enlighet med lagstiftning/landsspecifika förordningar. Skador orsakade av normalt slitage, överbelastning eller felaktig användning omfattas inte av garantin.

Vid reklamation ska verktyget eller laddaren återlämnas i monterat skick till återförsäljaren tillsammans med kvitto eller inköpsbevis.

## KONTAKTA DREMEL

Mer information om Dremels sortiment, support och hotline finns på [www.dremel.com](http://www.dremel.com).

Dremel Europe, P.O. Box 3267, 4800 DG Breda, Nederländerna

## OVERSETTELSE AV ORIGINALINSTRUKSJONENE

NO



**ADVARSEL**

LES ALLE SIKKERHETS-ADVARSLER OG ALLE

INSTRUKSJONER. (BILDE 1)

Dersom advarslene og instruksjonene ikke følges, kan det føre til elektrisk støt, brann og/eller alvorlig personskade.

**Oppbevar alle advarsler og instruksjoner for fremtidig referanse.**

Begrepet "elektroverktøy" i advarslene henviser til elektroverktøy drevet via netstrøm eller via batteri.


## SIKKERHET FOR ARBEIDSOMRÅDET

- Hold arbeidsområdet rent og ryddig. *Rotete arbeidsområder og arbeidsområder uten lys kan føre til ulykker.*
- Ikke arbeid med maskinen i ekspløsjonsutsatte omgivelser - der det befinner seg brennbare væsker, gass eller støv. *Elektroverktøy lager gnister som kan antenne støv eller damper.*
- Hold barn og andre personer unna når elektroverktøyet brukes. *Hvis du blir forstyret under arbeidet, kan du miste kontrollen over maskinen.*

## ELEKTRISK SIKKERHET

- Støpselet til maskinen må passe inn i stikkkontakten. Støpselet må ikke forandres på noen som helst måte. Ikke bruk adapterstøpsler sammen med jordede maskiner. *Bruk av støpsler som ikke er forandret på og passende stikkontakter reduserer risikoen for elektriske støt.*
- Unngå kroppskontakt med jordede overflater slik som rør, ovner, komfyrer og kjøleskap. *Det er større fare ved elektriske støt hvis kroppen din er jordat.*
- Hold maskinen unna regn eller fuktighet. *Dersom det kommer vann i et elektroverktøy, øker risikoen for elektriske støt.*
- Ikke bruk ledningen til andre formål, f. eks. til å bære maskinen, henge den opp eller trekke den ut av stikkkontakten. Hold ledningen unna varme, olje, skarpe kanter eller maskindeler som beveger seg. *Med skadede eller opphopede ledninger øker risikoen for elektriske støt.*
- Når du arbeider utendørs med et elektroverktøy, må du kun bruke en skjøteledning som er godkjent til utendørs bruk. *Når du bruker en skjøteledning som er egnet for utendørs bruk, reduseres risikoen for elektriske støt.*
- Hvis det ikke kan unngås å bruke elektroverktøyet i fuktige omgivelser, må du bruke en jordfeilbryter. *Bruk av en jordfeilbryter reduserer risikoen for elektriske støt.*

## PERSONSIKKERHET

- Vær oppmerksom, pass på hva du gjør, gå fornuftig frem når du arbeider med et elektroverktøy. Ikke bruk maskinen når du er trett eller er påvirket av narkotika, alkohol eller medikamenter. *Et øyeblikks uoppmerksomhet ved bruk av maskinen kan føre til alvorlige skader.*
-  Bruk personlig verneutstyr og husk alltid å bruke vernebriller. Bruk alltid vernebriller. *Bruk av personlig sikkerhetsutstyr som støvmaske, skilfaste arbeidssko, hjelm eller hørselvern - avhengig av type og bruk av elektroverktøyet - reduserer risikoen for skader. (BILDE 2 + 3 + 4)*
- Unngå å starte verktøyet ved en feiltagelse. Forviss deg om at elektroverktøyet er slått av før du setter støpselet inn i stikkkontakten. *Hvis du holder fingeren på bryteren når du bærer maskinen eller kobler maskinen til strømmen i innkoblet tilstand, kan dette føre til uhell.*
- Fjern innstillingsverktøy eller skrunøkler før du slår på elektroverktøyet. *Et verktøy eller en nøkkel som befinner seg i en roterende maskindel, kan føre til skader.*
- Ikke overvurder deg selv. Sørg for å stå stødig og i balanse. *Sørg for at du har godt fotfeste og god balanse hele tiden. Dermed kan du kontrollere maskinen bedre i uventede situasjoner.*
- Bruk alltid egnede klær. *Ikke bruk vide klær eller smykker. Hold hår, tøy og hansker unna deler som beveger seg. Løstsittende tøy, smykker eller langt hår kan komme inn i deler som beveger seg.*
- Hvis det kan monteres støvavsug- og oppsamlingsinnretninger, må du forviss deg om at disse er tilkoblet og brukes på korrekt måte. *Bruk av disse innretningene reduserer faren på grunn av støv.*

## OMHYGGELEG BRUK OG HÅNTERING AV ELEKTROVERKTØY

- Ikke overbelast verktøyet. Bruk et elektroverktøy som er beregnet til den type arbeid du vil utføre. *Med et passende elektroverktøy arbeider du bedre og sikrer i det angitte effektområdet.*
- Ikke bruk elektroverktøy med defekt på-/avbryter. *Et elektroverktøy som ikke lenger kan slås av eller på, er farlig og må repareres.*
- Trekk støpselet ut av stikkkontakten før du utfører innstillinger på maskinen, skifter tilbehørsdeler eller legger maskinen bort. *Disse tiltakene forhindrer en utilsiktet start av maskinen.*
- Elektroverktøy som ikke er i bruk må oppbevares utilgjengelig for barn. Ikke la maskinen brukes av personer som ikke er fortrolig med dette eller ikke har lest disse anvisningene. *Elektroverktøy er farlige når de brukes av uerfarne personer.*
- Vær nøye med vedlikeholdet av maskinen. Kontroller om bevegelige maskindeler fungerer feilfritt og ikke klemmes fast, og om deler er brukt eller skadet, slik at dette innvirker på maskinens funksjon. La disse skadede delene repareres før maskinen brukes. *Dårlig vedlikeholdte elektroverktøy er årsaken til mange uhell.*
- Hold skjæreverktøyene skarpe og rene. *Godt stelte skjæreverktøy med skarpe skjær setter seg ikke så ofte fast og er lettere å føre.*
- Bruk elektroverktøy, tilbehør, verktøy osv. i henhold til disse anvisningene og slik det er foreskrevet for denne spesielle maskintypen. Ta hensyn til arbeidsforholdene og arbeidet som skal utføres. *Bruk av elektroverktøy til andre formål enn det som er angitt, kan føre til farlige situasjoner.*



### ADVARSEL

**Bearbejd ikke asbestholdigt materiale**  
(asbest er kræftfremkaldende).



### ADVARSEL

**Træf de nødvendige foranstaltninger, hvis sundhedsskadeligt, brændbart eller eksplosivt støv kan opstå under arbejdet** (noget støv kan være kræftfremkaldende); brug en støvbeskyttelsesmaske samt en støv-/spåneopsugning, hvis en sådan kan tilsluttes.

## SERVICE

- Maskinen din skal alltid kun repareres av kvalifisert fagpersonale og kun med originale reservedeler. *Slik opprettholdes maskinens sikkerhet.*

## FELLES SIKKERHETSADVARSLER FOR SLIPING, SANDPAPIRSLIPING, STÅLBØRSTING, POLERING OG KAPPING

- Dette elektroverktøyet skal brukes som sliper, sandpapirsliper, stålbørste, polermaskin og kuttesliper. Følg alle advarsler, anvisninger, bilder og data som du får levert sammen med elektroverktøyet. *Hvis du ikke følger følgende anvisninger, kan det oppstå elektriske støt, ild og/eller store skader.*

- b. Ikke bruk tilbehør som ikke er spesielt beregnet og anbefalt av produsenten for dette elektroverktøyet. *Selv om du kan feste tilbehøret på elektroverktøyet ditt, garanterer dette ingen sikker bruk.*
- c. Det godkjente turtallet til innsatsverktøyet må være minst like høyt som det maksimale turtallet som er angitt på elektroverktøyet. *Tilbehør som dreies hurtigere enn godkjent, kan ødelegges.*
- d. Utvendig diameter og tykkelse på innsatsverktøyet må tilsvare målene for elektroverktøyet. *Gale innsatsverktøy kan ikke sikres eller kontrolleres tilstrekkelig.*
- e. Slipeskiver, flensere, slipetallerkener eller annet tilbehør må passe nøyaktig på slipespindelen til elektroverktøyet. *Innsatsverktøy som ikke passer nøyaktig på slipespindelen til elektroverktøyet, roterer uregelmessig, vibrerer svært sterkt og kan føre til at du mister kontrollen.*
- f. Ikke bruk skadede innsatsverktøy. Sjekk før hver bruk om innsatsverktøy slik som slipeskiver er splintret eller revnet, om slipetallerkener er revnet eller svært slitt, om stålborster har løse eller har brukkede tråder. Hvis elektroverktøyet eller innsatsverktøyet faller ned, må du kontrollere om det er skadet eller bruket ikke skadet innsatsverktøy. Når du har kontrollert og satt inn innsatsverktøyet, må du holde personer som oppholder seg i nærheten unna det roterende innsatsverktøyet og la elektroverktøyet gå i ett minutt med maksimalt turtall. *Som regel brykker skadede innsatsverktøy i løpet av denne testtiden.*
- g. Bruk personlig beskyttelsesutstyr. Avhengig av typen bruk må du bruke visir, øyebeskyttelse eller vernebriller. Om nødvendig må du bruke støvmaske, hørselvner, vernehansker eller spesialforkle som holder små slipe- og materialpartikler unna kroppen din. *Øynene bør beskyttes mot fremmedlegemer som kan fly rundt ved visse typer bruk. Støv- eller pustevernmasker må filtrere den typen støv som oppstår ved denne bruken. Hvis du er utsatt for sterk støv over lengre tid, kan du miste hørselen.*
- h. Pass på at andre personer holder tilstrekkelig avstand til arbeidsområdet ditt. Alle som går inn i arbeidsområdet må bruke personlig verneutstyr. *Brukne deler til verktøyet eller brukne innsatsverktøy kan slynges ut og derfor også forårsake skader utenfor det direkte arbeidsområdet.*
- i. Ta kun tak i elektroverktøyet på de isolerte gripeflatene, hvis du utfører arbeid der innsatsverktøyet kan treffe på skjulte strøm-ledninger eller den egne strømledningen. *Kontakt med en spenningsførende ledning setter også elektroverktøyet metalldele un-der spenning og fører til elektriske støt.*
- j. Hold strømledningen unna roterende innsatsverktøy. *Hvis du mister kontrollen over elektroverktøyet kan strømledningen kappes eller komme inn i verktøyet, og hånden eller armen din kan komme inn i det roterende innsatsverktøyet.*
- k. Legg aldri elektroverktøyet ned før innsatsverktøyet er stanset helt. *Det roterende innsatsverktøyet kan komme i kontakt med overflaten der maskinen legges ned, slik at du kan miste kontrollen over elektroverktøyet.*
- l. La aldri elektroverktøyet være innkoblet mens du bærer det. *Tøyet ditt kan komme inn i det roterende innsatsverktøyet hvis det tilfeldigvis kommer i kontakt med verktøyet og innsatsverktøyet kan da bore seg inn i kroppen din.*
- m. Rengjør ventilasjonsåpningene til elektroverktøyet med jevne mellomrom. *Motorviften trekker støv inn i huset, og en stor oppsamling av metallstøv kan medføre elektrisk fare.*
- n. Ikke bruk elektroverktøyet i nærheten av brennbare materialer. *Gnister kan antenne disse materialene.*
- o. Bruk ikke innsatsverktøy som krever flytende kjølemidler. *Bruk av vann eller andre flytende kjølemidler kan føre til elektriske støt.*

---

## TILBAKESLAG OG TILSVARENDE ADVARSLER

---

Tilbakeslag er innsatsverktøyets plutselige reaksjon etter at det har hengt seg opp eller blokkerer. Dette kan gjelde slipeskiven, slipetallerkenen, stålborsten osv.. Opphenging eller blokkering fører til at det roterende innsatsverktøyet stanser helt plutselig. Slik akselerer et ukontrollert elektroverktøy i motsatt retning av innsatsverktøyet dreieretning på blokkeringsstedet. Hvis f. eks. en slipeskive henger seg opp eller blokkerer i arbeidsstykkeket, kan kanten på slipeskiven som dykker inn i arbeidsstykkeket, henge seg opp og slik brykker slipeskiven eller forårsaker et tilbakeslag. Slipeskiven beveger seg da mot eller bort fra brukeren, avhengig av skivens dreieretning på blokkeringsstedet. Slipeskiver kan da også brykke. Et tilbakeslag er resultat av en gal eller feilaktig bruk av elektroverktøyet. Det kan unngås ved å følge egnede sikkerhetstiltak som beskrevet nedenstående.

- a. Hold elektroverktøyet godt fast og plasser kroppen og armene dine i en stilling som kan ta imot tilbakeslagskrefter. Bruk alltid ekstrahåndtaket - hvis dette finnes - for å ha størst mulig kontroll over tilbakeslagskrefter eller reaksjonsmomenter ved oppkjøring. *Brukeren kan beherske tilbakeslags- og reaksjonsmomenter med egnede tiltak.*
- b. Hold aldri hånden i nærheten av det roterende innsatsverktøyet. *Innsatsverktøyet kan bevege seg over hånden din ved tilbakeslag.*
- c. Unngå å kroppen din befinner seg i området der elektroverktøyet vil bevege seg ved et tilbakeslag. *Tilbakeslaget driver elektroverktøyet i motsatt retning av slipeskivens dreieretning på blokkeringsstedet.*
- d. Vær spesielt forsiktig i hjørner, på skarpe kanter osv. Du må forhindre at innsatsverktøyet avpelles fra arbeidsstykket eller klemmes fast. *Det roterende innsatsverktøyet har en tendens til å klemmes fast i hjørner, på skarpe kanter eller hvis det avpelles. Dette forårsaker kontrolltap eller tilbakeslag.*
- e. Bruk ikke kjedesagblad eller tannet sagblad. *Slike innsatsverktøy fører ofte til tilbakeslag eller til at man mister kontrollen over elektroverktøyet.*

---

## SPESEILLE ADVARSLER OM SLIPING OG KAPPING

---

- a. Bruk kun slipeskiver som er godkjent for dette elektroverktøyet og et verneedseksel som er konstruert for denne typen slipeskive. *Slipeskiver som ikke ble konstruert for dette elektroverktøyet, kan ikke beskyttes tilsvarende og er ikke sikre.*
- b. Slipeskiver må kun brukes til anbefalt type bruk, f. eks.: Ikke slip med sideflaten til en kappeskive. *Kappeskiver er beregnet til materialfjerning med kanten på skiven. Innvirkning av krefter fra siden kan føre til at slipeskivene brykker.*

- c. Bruk alltid uskadede spennflenser i riktig størrelse og form for den slipeskiven du har valgt. *Egnede flenser støtter slipeskiven og reduserer slik faren for at slipeskiven brekker. Flenser for kappeskiver kan være annerledes enn flenser for andre slipeskiver.*
- d. Ikke bruk slitte slipeskiver fra større elektroverktøy. *Slipeskiver for større elektroverktøy er ikke beregnet til de høyere turtall på mindre elektroverktøy og kan brette.*

## YTTERLIGERE SPESIELLE ADVARSLER FOR KAPPESLIPING

- a. Unngå blokkering av kappeskiven eller for sterkt presstrykk. Ikke utfør for dype snitt. *En overbelastning av kappeskiven øker slitasjen og tendensen til fastkiling eller blokkering og dermed også muligheten til tilbakeslag eller brudd på slipeskiven.*
- b. Unngå området foran og bak den roterende kappeskiven. *Hvis kappeskiven beveger seg bort fra deg i arbeidsstykket, kan elektroverktøyet med den roterende skiven ved tilbakeslag slynges direkte mot kroppen din.*
- c. Hvis kappeskiven blokkerer eller du avbryter arbeidet, slår du av elektroverktøyet og holder det rolig til skiven er stanset helt. Forsøk aldri å trekke den roterende kappeskiven ut av snittet, ellers kan det oppstå et tilbakeslag. *Finn og fjern årsaken til blokkeringen.*
- d. Ikke start elektroverktøyet igjen så lenge det befinner seg i arbeidsstykket. La kappeskiven oppnå det maksimale turtallet før du fortsetter forsiktig med snittet. *Ellers kan skiven henge seg opp, springe ut av arbeidsstykket eller forårsake tilbakeslag.*
- e. Støtt plater eller store arbeidsstykker for å redusere risikoen for tilbakeslag fra en fastklemt kappeskive. *Store arbeidsstykker kan bøyes av sin egen vekt. Arbeidsstykket må støttes på begge sider, både nær kappesnittet og på kanten.*
- f. Vær spesielt forsiktig ved inndykingsnitter i vegger eller andre uoversiktlige områder. *Den inntrengende kappeskiven kan treffe på gass- eller vannledninger, elektriske ledninger eller gjenstander som kan forårsake tilbakeslag.*

## SPESIELLE ADVARSLER FOR ARBEID MED STÅLBØRSTER

- a. Husk på at stålborsten mister stålbiten i løpet av vanlig bruk. Ikke overbelast ståldelene med for sterkt presstrykk. *Ståldeler som slynges bort kan lett trenge inn gjennom tynt tøy og/eller hud.*
- b. Hvis det anbefales å bruke et vernedeksel, må du forhindre at vernedekselet og stålborsten kan berøre hverandre. *Tallerken - og koppborster kan få større diameter med presstrykk og sentrifugalkrefter.*
- c. Ikke overskrid 15,000 OPM ved bruk av stålborste.

## MILJØ

### DEPONERING

Elektroverktøy, tilbehør og emballasje må leveres inn til miljøvennlig gjenvinning.

## KUN FOR EU-LAND



Ikke kast elektroverktøy i vanlig søppel! Jf. det europeiske direktivet 2002/96/EF vedr. gamle elektriske og elektroniske apparater og tilpassingen til nasjonale lover må gammelt elektroverktøy som ikke lenger kan brukes samles inn og leveres inn til en miljøvennlig resirkulering.

## SPESIFIKASJONER

### GENERELLE SPESIFIKASJONER

Merkespenning . . . . . 230-240 V, 50-60 Hz  
 Nominell strømeffekt . . . . . 175 W  
 Nominell hstighet (n) . . . . . 35.000 OPM  
 Spennhylsekapasitet . . . . . 0,8 mm, 1,6 mm, 2,4 mm,  
 3,2 mm



Klasse II-konstruksjon . . Dobbeltisolerte konstruksjonsverktøy (BILDE 5)

### SKJØTELEDNINGER

Bruk skjøteledninger som er helt rullet ut med en kapasitet på 5 A.

## MONTERING

KOBLE ALLTID MULTIVERKTØYET FRA STRØM FØR BYTTE AV TILBEHØR, SPENNHYLSER ELLER VEDLIKEHOLD AV VERKTØYET.

### GENERELT

Multiverktøyet fra Dremel er et presisjonsverktøy av høy kvalitet som kan brukes til å utføre detaljerte presisjonsoppgaver. Det brede spekteret av Dremel-tilbehør og -forsatser gjør det mulig å utføre et stort antall oppgaver. Dette omfatter sliping, utskjæring og gravering samt fresing, kutting, rengjøring og polering.

#### BILDE 6

- A. Spindelåsknapp
- B. På-/avbryter
- C. Variabelt hastighetshjul
- D. Strømledning
- E. Oppheng
- F. Ventilasjonsåpninger
- G. Spennhylsenøkkel
- H. Skaft
- I. Verktøykappe
- J. Spennhylsemutter
- K. Spennhylse

### SPENNHYLSER

Dremel-tilbehør til multiverktøyet leveres med ulike skaftstørrelser. Det finnes fire spennhylsestørrelser til de ulike skaftstørrelsene. Spennhylsestørrelsene kan identifiseres ved hjelp av ringene på baksiden av spennhylsen.

## BILDE 7

- A. Spennhylsemutter
- B. 3,2 mm spennhylse uten ring (480)
- C. 2,4 mm spennhylse med tre ringer (481)
- D. 1,6 mm spennhylse med to ringer (482)
- E. 0,8 mm spennhylse med en ring (483)
- F. Identifiseringsringer

*MERK: Noen multiverktøysett inneholder ikke alle fire spennhylse-størrelsene. Spennhylser kan kjøpes separat.*

Bruk alltid en spennhylse som samsvarer med akselstørrelsen på det tilbehøret du planlegger å bruke. Tving aldri et skaft med større diameter ned i en mindre spennhylse.

---

## BYTTE SPENNHYLSER

---

### BILDE 8

- A. Spennhylsenøkkel
- B. Spindellåsknapp
- C. Spennhylsemutter
- D. Løsne
- E. Stramme

1. Trykk på spindellåsknappen, hold skaftet inne og vri for hånd inntil den smekker på plass. Man må ikke koble inn spindellåsknappen mens multiverktøyet er i bruk.
2. Hold spindellåsknappen inne, løsne og ta ut spennhylsemutteren. Bruk spennhylsenøkkel om nødvendig.
3. Ta ut spennhylsen ved å trekke den løs fra skaftet.
4. Sett en spennhylse i riktig størrelse helt inn i skaftet og trekk til spennhylsemutteren med fingrene. Ikke trekk mutteren helt til hvis det ikke er montert bits eller tilbehør.

---

## BYTTE TILBEHØR

---

### BILDE 8

1. Trykk på spindellåsknappen, og vri skaftet for hånd inntil den smekker på plass. *Ikke koble inn spindellåsknappen mens multiverktøyet er i bruk.*
2. Hold spindellåsknappen inne, løsne (ikke ta ut) spennhylsemutteren. Bruk spennhylsenøkkel om nødvendig.
3. Sett inn bitsen eller tilbehørsskaftet helt inn i spennhylsen.
4. Når spindellåsknappen er koblet inn, kan du stramme spennhylsen med fingrene til spennhylsen griper tak i skaftet på tilbehøret.  
*MERK: Sørg for å lese instruksjonene som følger med Dremel-tilbehøret. Her finner du mer informasjon om bruken.*

Bruk bare tilbehør med høy ytelse som er testet av Dremel.

---

## AVBALANSER TILBEHØR

---

For presisjonsarbeid er det viktig at alt tilbehør har god balanse (det samme som for dekkene på bilen din). For å sentrere eller avbalansere tilbehør, løsne chuckbolten og drei tilbehøret eller chucken 1/4 omdreining. Trekk chucken til igjen og kjør rotasjonsverktøyet. Du bør kunne merke på lyden og på følelsen hvorvidt tilbehøret er i balanse. Fortsett justeringen på denne måten til best mulig balanse er oppnådd.

## SLIK KOMMER DU I GANG

---

### BRUK

---

Det første trinnet ved bruk av multiverktøyet er å bli "kjent" med det. Hold det i hånden og bli kjent med vekten og balansen. Kjenn på tappen på dekselet. Denne tappen gjør det mulig å holde verktøyet som du holder en blyant eller penn.

*Hold alltid verktøyet på sikker avstand fra ansiktet. Tilbehør kan skades ved bruk, og kan sprette ut når hastigheten øker.*

*Når du holder verktøyet, må du ikke dekke ventilasjonsåpningene med hånden din. Hvis ventilasjonsåpningene blokkeres, kan motoren bli overopphetet.*

Viktig: Øv deg på prøvematerialer først, slik at du blir vant med hvordan verktøyet skjærer på høy hastighet. Husk at multiverktøyet yter best hvis du lar hastigheten, sammen med riktig Dremel-tilbehør og -forsats, gjøre arbeidet for deg. Unngå å øve press mot verktøyet under bruk. Senk isteden det roterende tilbehøret forsiktig ned mot arbeidsflaten og la det komme i kontakt med punktet hvor det skal starte. Konsentrer deg om å føre verktøyet over arbeidsstykket med svært liten kraft. La tilbehøret gjøre jobben. Vanligvis er det best å gjøre jobben i flere omganger istedenfor å prøve å utføre hele jobben på én gang. Å arbeide med lett hånd gir best kontroll og reduserer risikoen for feil.

---

### HOLDE VERKTØYET

---

Når du jobber med detaljer oppnår du best kontroll ved å holde verktøyet som en blyant mellom tommel og pekefinger. BILDE 9 "Golf"-grepet brukes til tyngre operasjoner som sliping eller kutting. BILDE 10

### Nestestykke

Et separat nesestykke er tilgjengelige for presisjonsarbeid. Det har en trekantet form som gjør at brukeren kan holde nesestykket mellom tommel og pekefinger. Den slanke formen fir en utmerket siktlinje for detaljert etsing, treskjæring og gravering. Dette nesestykket følger ikke med alle sett. BILDE 11

---

### DRIFTSFASTHETER

---

For å velge riktig hastighet for hver jobb, prøv deg frem på et prøve-materialstykke.

### SKYV "PÅ/AV"-BRYTEREN

Verktøyet slås "PÅ" med skuvebryteren øverst på motorhuset. SLÅ VERTKØET "PÅ" ved å skyve skyveknappen fremover. SLÅ VERTKØET "AV" ved å skyve skyveknappen bakover.

### HØYTELSESMOTOR

Verktøyet er utstyrt med en høyttelses roterende verktøymotor. Denne motoren utvider verktøyets allsidighet ved at den kan brukes for annet DREMEL-tilbehør

### ELEKTRONISK FEEDBACK

Verktøyet er utstyrt med et internt elektronisk feedbacksystem som gir "myk start!", noe som reduserer belastningen fra start med høyt rotasjonsmoment. Systemet bidrar også til å holde det forhåndsvalgte hastigheten nær sagt konstant mellom belastet og ubelastet bruk av verktøyet.

## VARIABELT HASTIGHETSHJUL

Verktøyet er utstyrt med et variabelt hastighetshjul. Hastigheten kan justeres under bruk ved å stille hjulet på eller mellom en av innstillingene.

Innstillingen av dette hjulet bestemmer hastigheten på rotasjonsverktøyet. BILDE 12

### Innstillinger for omtrentelige omdreininger

Bryterinnstillinger	Hastighetsområde
5	5.000 OPM
10	10.000 OPM
*15	15.000 OPM
20	20.000 OPM
25	25.000 OPM
30	30.000 OPM
35	35.000 OPM

\* Ikke overskrid 15.000 OPM ved bruk av stålborste.

Bruk diagrammet med hastighetsinnstillinger på side 4-7 som hjelpemiddel når du skal bestemme riktig hastighet for materialet du arbeider med, og hvilket tilbehør du skal bruke.

De fleste jobber kan utføres med verktøyet i høyeste stilling. Imidlertid kan visse materialer (noen plast- og metallsorter) bli skadet av varmen som utvikles på grunn av den høye hastigheten. Disse må bearbeides ved lavere hastigheter. Drift på lav hastighet (15 000 o/min eller mindre) er vanligvis best for polering ved hjelp av filtpoleringsstilbehør. Ved bruk av alle typer børster kreves det lavere hastigheter for å unngå at trådene løsner fra holderen. La ytelsen til verktøyet utføre arbeidet for deg når du bruker lavere hastighetsinnstillinger. Høyere hastigheter er bedre for hardt treverk, metall og glass samt for boring, utskjæring, kutting, fresing, forming og kutting av dørfalser og brystpanel i treverk.

Noen retningslinjer mht. verktøyhastighet:

- Plast og andre materialer som smelter ved lave temperaturer, må kuttes ved lav hastighet.
- Polering, pussing og rengjøring med stålborste må utføres ved hastigheter under 15 000 o/min for å hindre skader på borsten og materialet.
- Treverk må kuttes ved høy hastighet.
- Jern eller stål må kuttes ved høy hastighet.
- Hvis det begynner å vibrere i en høyhastighetsfres av stål, betyr det vanligvis at den har for lav hastighet.
- Aluminium, kobberlegeringer, blylegeringer, sinklegeringer og tinn kan kuttes ved ulike hastigheter, avhengig av hva slags type kutting som skal utføres. Bruk parafin (ikke vann) eller annet egnet smøremiddel på fresen for å hindre at materialet som kuttes setter seg fast i tennene på fresen.

**MERK:** Økt press mot verktøyet er ikke riktig mottiltak hvis det ikke yter som forventet. Prøv et annet tilbehør eller hastighetsinnstilling for å oppnå ønsket resultat

## VEDLIKEHOLD

*Forebyggende vedlikehold utført av ukundige personer kan føre til at innvendige deler og ledninger blir satt feil inn, noe som kan forårsake alvorlig fare. Vi anbefaler at all verktøyvedlikehold utføres av et Dremel-serviceverksted. Du unngår skade fra uventet oppstart eller elektrisk støt ved å fjerne støpselet fra vegguttaket før du foretar vedlikehold eller rengjøring.*

### RENGJØRING

**⚠ ADVARSEL** FOR Å UNNGÅ ULYKKER BØR DU ALLTID KOBLE VERKTØYET OG/ELLER LADEREN AV FRA STRØMKILDEN FØR RENGJØRING. Den mest effektive måten å rengjøre verktøyet på, er med tørr trykkluft. Bruk alltid vernebriller når du rengjør verktøy med trykkluft.

Ventilasjonsåpninger og brytere må holdes rene og fri for fremmedlegemer. Prøv aldri å rengjøre verktøyet ved å sette spisse gjenstander inn i åpningene.

**⚠ ADVARSEL** VISSE RENGJØRINGSMIDLER OG LØSEMIDLER SKADER PLASTDELER. Noen av disse er: Bensin, karbontetraklorid, klorbaserte rengjøringsmidler, ammoniakk og husholdningsvaskemidler som inneholder ammoniakk.

### SERVICE OG GARANTI

**⚠ ADVARSEL** INNEHOLDER INGEN DELER SOM KAN VEDLIKEHOLDES AV BRUKEREN. Preventivt vedlikehold utført av uautorisert personale kan føre til feilkobling av ledninger, noe som kan forårsake alvorlige skader. Vi anbefaler at all verktøyservice blir utført av et Dremel-servicesenter. **SERVICEFOLK:** Frakoble verktøyet og/eller laderen fra strømkilden før vedlikehold.

Garantien for dette DREMEL-produktet gis i henhold til lovfestede/landsspesifikke lover og forskrifter. Skader grunnet normal slitasje, overbelastning eller feil bruk dekkes ikke av garantien.

Dersom du ønsker å klage på produktet, tar du med verktøyet eller laderen til forhandleren i *montert stand* sammen med kjøpsbevis.

### KONTAKT DREMEL

Hvis du ønsker mer informasjon om Dremels produktvalg, brukerstøtte eller kundeservice kan du gå til [www.dremel.com](http://www.dremel.com).

Dremel Europe, Postboks 3267, 4800 DG Breda, Nederland



(KUVA 1)

Seuraavien varoitusten ja ohjeiden noudattamatta jättämisestä voi seurata sähköisku, tulipalo ja/tai vakava vamma.

**Säästä kaikki varoitukset ja ohjeet myöhemmää käyttöä varten.**

Termillä "sähkötyökalu" viitataan varoituksissa verkkovirtakäyttöiseen (johdolliseen) sähkötyökaluun tai akkukäyttöiseen (johdottomaan) sähkötyökaluun.

## TYÖALUEEN TURVALLISUUS

- Pidä työskentelyalue puhtaana ja hyvin valaistuna. Työpaikan epäjärjestys ja valaisemattomat työalueet voivat johtaa tapaturmiin.
- Älä työskentele sähkötyökalulla räjähdysalttiissa ympäristössä, jossa on palavaa nestettä, kaasua tai pölyä. Sähkötyökalu muodostaa kipinöitä, jotka saattavat syyttää pölyn tai höyryä.
- Pidä lapset ja sivulliset loitolla sähkötyökalua käyttäessäsi. Voit menettää laitteesi hallinnan, huomiosi suuntautuessa muualle.

## SÄHKÖTURVALLISUUS

- Sähkötyökalun pistotulpan tulee sopia pisto-rasiaan. Pistotulppaa ei saa muuttaa millään tavalla. Älä käytä mitään pistorasia-adaptoreita maadoitettujen sähkötyökalujen kanssa. Alkuperäisessä kunnossa olevat pistotulpat ja sopivat pistorasiat vähentävät sähköiskun vaaraa.
- Vältä koskettamasta maadoitettuja pintoja, kuten putkia, pattereita, liesiä tai jääkaappeja. Sähköiskun vaara kasvaa, jos kehosi on maadoitettu.
- Älä aseta sähkötyökalua allkoisiin sateelle tai kosteudelle. Veden tunkeutuminen sähkötyökalun sisään kasvattaa sähköiskun riskiä.
- Älä käytä verkkojohtoa väärin. Älä käytä sitä sähkötyökalun kantamiseen, ripustamiseen tai pistotulpan irrottamiseen pistorasiasta vetämällä. Pidä johto loitolla kuumuudesta, öljystä, terävistä reunoista ja liikkuvista osista. Vahingoittuneet tai sotkeutuneet johdot kasvattavat sähköiskun vaaraa.
- Käyttäessäsi sähkötyökalua ulkona, käytä ainoastaan ulkokäyttöön soveltuvaa jatkojohtoa. Ulkokäyttöön soveltuvan jatkojohtoon käyttö pienentää sähköiskun vaaraa.
- Jos sähkötyökalun käyttö kosteassa ympäristössä ei ole välttämätöntä, tulee käyttää maavuotokatkaisijaa. Maavuotokatkaisijan käyttö vähentää sähköiskun vaaraa.

## HENKILÖTURVALLISUUS

- Ole valpas, kiinnitä huomiota työskentelyysi ja noudata tervettä järkeä sähkötyökalua käyttäessäsi. Älä käytä laitetta, jos olet väsynyt tai huumeiden, alkoholin tahi lääkkeiden vaikutuksen alaisena. Hetken tarkkaamattomuus sähkötyökalua käytettäessä, saattaa johtaa vakavaan loukkaantumiseen.



Käytä suojarusteita. Käytä aina suojalaseja. Henkilökohtaisen suojarustuksen käyttö,

kuten pölynaamarin, luistamattomien turvakien, suojakypärän tai kuulonsuojaimien, riippuen sähkötyökalun lajista ja käyttötavasta, vähentää loukkaantumiskä. (KUVA 2 + 3 + 4)

- Vältä tahatonta käynnistämistä. Varmista, että sähkötyökalu on poiskytkettyä, ennen kuin liität pistotulpan pistorasiaan. Jos kannat sähkötyökalua sormi käynnistyskytkimellä tai kytket sähkötyökalun pistotulpan pistorasiaan, käynnistyskytkimen ollessa käyntiasennossa, altistat itsesi onnettomuuksille.
- Pidä kaikki säätötyökalu ja ruuvitalat, ennen kuin käynnistät sähkötyökalun. Työkalu tai avain, joka sijaitsee laitteen pyöriässä osassa, saattaa johtaa loukkaantumiseen.
- Älä yliarvioi itseäsi. Huolehdi aina tukevista seisoma-asennosta ja tasapainosta. Täten voit paremmin hallita sähkötyökalua odottamattomissa tilanteissa.
- Käytä tarkoitukseen soveltuvia vaatteita. Älä käytä löysiä työvaatteita tai koruja. Pidä hiukset, vaatteet ja käsineet loitolla liikkuvista osista. Väljät vaatteet, korut ja pitkät hiukset voivat takertua liikkuviin osiin.
- Jos polynimu- ja keräilylaitteita voidaan asentaa, tulee sinun tarkistaa, että ne on liitetty ja että ne käytetään oikealla tavalla. Näiden laitteiden käyttö vähentää pölyn aiheuttamia vaaroja.

## SÄHKÖTYÖKALUJEN HUOLELLINEN KÄYTTÖ JA KÄSITTELY

- Älä ylikuormita laitetta. Käytä kyseiseen työhön tarkoitettua sähkötyökalua. Sopivaa sähkötyökalua käyttäen työskentelet paremmin ja varmemmin tehoalueella, jolle sähkötyökalu on tarkoitettu.
- Älä käytä sähkötyökalua, jota ei voida käynnistää ja pysäyttää käynnistyskytkimestä. Sähkötyökalu, jota ei enää voida käynnistää ja pysäyttää käynnistyskytkimellä, on vaarallinen ja se täytyy korjata.
- Irrota pistotulppa pistorasiasta, ennen kuin suoritat säätöjä, vaihdat tarvikkeita tai siirrä sähkötyökalun varastoitavaksi. Nämä turvatoinenpiteet estävät sähkötyökalun tahattoman käynnistymisen.
- Säilytä sähkötyökalut poissa lasten ulottuvilta, kun niitä ei käytetä. Älä anna sellaisten henkilöiden käyttää sähkötyökalua, jotka eivät tunne sitä tai jotka eivät ole lukeneet tätä käyttöohjetta. Sähkötyökalu ovat vaarallisia, jos niitä käyttävät kokemattomat henkilöt.
- Hoida sähkötyökalusi huolella. Tarkista, että liikkuvat osat toimivat moitteettomasti, eivätkä ole puristuksessa sekä, että siinä ei ole murtuneita tai vahingoittuneita osia, jotka saattaisivat vaikuttaa haitallisesti sähkötyökalun toimintaan. Anna korjata nämä vioittuneet osat ennen käyttöä. Monen tapaturman syyt löytyvät huonosti huolletuista laitteista.
- Pidä leikkausterät terävinä ja puhtaina. Huolellisesti hoidetut leikkaustyökalut, joiden leikkausreunat ovat teräviä, eivät tartu helposti kiinni ja niitä on helpompi hallita.
- Käytä sähkötyökaluja, tarvikkeita, vaihtotyökaluja jne. näiden ohjeiden mukaisesti ja tavalla, jota on säädetty erityisesti kyseiselle sähkötyökalulle. Ota tällöin huomioon työolosuhteet ja suoritettava toimenpide. Sähkötyökalun käyttö muuhun kuin sille määrättyyn käyttöön, saattaa johtaa vaarallisiin tilanteisiin.



**VAROITUS** Älä koskaan työstä asbestipitoista ainetta (asbestia pidetään karsinogeenisena).



## VAROITUS

Noudata suojatoimenpiteitä, jos työssä saattaa syntyä terveydelle vaarallista, palavaa tai räjähdysaltista pölyä (monia pölyjä pidetään karsinogeenisina); käytä pölynsuojanaamaria ja pölyn-/lastunimua, jos se on liitettävissä.

## HUOLTO

- a. Anna koulutettujen ammattihenkilöiden korjata sähkötyökälyä ja hyväksy korjauksiin vain alkuperäisiä varaosia. *Täten varmistat, että sähkötyökäly säilyy turvallisena.*

## HIOMISELLE, HARJAAMISELLE, KIILLOTTAMISELLE JA HIOVALLE LEIKKAAMISELLE YHTEISET VAROITUKSET

- a. Tätä sähkötyökälyä tulee käyttää hiomakoneena, hiekkapaperihiomakoneena, teräsharja-, kiillotus- ja katkaisuhiomakoneena. Ota huomioon kaikki vao-ohjeet, ohjeet, piirustukset ja tiedot, joita saat sähkötyökälyän kanssa. *Ellet noudata seuraavia ohjeita, saattaa se johtaa sähköiskuun, tulipaloon ja/tai vaikeisiin loukkaantumisiin.*
- b. Älä käytä mitään lisälaitteita, joita ei valmistaja ole tarkoittanut tai suositellut nimenomaan tälle sähkötyökälylle. *Vain se, että pystyt kiinnittämään lisätarvikkeen sähkötyökälysi ei takaa sen turvallista käyttöä.*
- c. Vaihtotyökälyän sallitun kierrosluvun tulee olla vähintään yhtä suuri kuin sähkötyökälyssä mainittu suurin kierrosluku. *Lisätarvike, joka pyörii sallittua suuremmalla nopeudella, saattaa tuhoutua.*
- d. Vaihtotyökälyän ulkohalkaisijan ja paksuuden tulee vastata sähkötyökälyän mittatietoja. *Väärin mitoritettuja vaihtotyökälyjä ei voida suojata tai hallita riittävästi.*
- e. Hiomalaiikkojen, laippojen, hiomalautasten ja muiitten lisätarvikkeiden tulee sopia tarkasti sähkötyökälysi hiomakaraan. *Vaihtotyökäly, jotka eivät sovi tarkkaan sähkötyökälyän hiomakaraan pyöriivät epätasaisesti, tärisivät voimakkaasti ja saattavat johtaa työkalun hallinnan menettämiseen.*
- f. Älä käytä vaurioituneita vaihtotyökälyjä. Tarkista ennen jokaista käyttöä, ettei vaihtotyökälyssä, kuten hiomalaiikoissa ole pirstoutumia tai halkemia, hiomalautasessa halkeamia tai voimakasta kulumista, teräsharjassa irtonaisia tai katkenneita lankoja. Jos sähkötyökäly tai vaihtotyökäly putoaa, tulee tarkistaa, että se on kunnossa tai sitten käyttää ehjää vaihtotyökälyä. Kun olet tarkistanut ja asentanut vaihtotyökälyän, pidä itsesi ja lähistöllä olevat henkilöt poissa pyörivän vaihtotyökälyän tasosta ja ännä sähkötyökälyän käydä minuutti täydellä kierrosluvulla. *Vaurioituneet vaihtotyökälyt menevät yleensä rikki tässä ajassa.*
- g. Käytä henkilökohtaisia suojavarusteita. Käytä käytöstä riippuen kokokasvonaamiota, silmäsuojusta tai suojalaseja. Jos mahdollista, käytä pölynaamaria, kuulonsuojainta, suojakäsineitä tai erikoissuojavaatetta, joka suojaa sinut pieniltä hioma- ja materiaalihiukkasilta. *Silmät tulee suojata lenteleiviltä vierailta esineiltä, jotka saattavat syntyä eri käytössä. Pöly- tai hengityssuojanaamareiden*

*täytyy suodattaa pois työstössä syntyvä pöly. Jos olet pitkään alltiina voimakkaalle melulle, saattaa se vaikuttaa heikentävästi kuuloon.*

- h. Varmista, että muut henkilöt pysyvät turvallisella etäisyydellä työalueelta. Jokaisella, joka tulee työalueelle, tulee olla henkilökohtaiset suojavarusteet. *Työkappaleen tai murtuneen vaihtotyökälyän osia saattavat sinkoutua kauemmas ja vangoittaa ihmisiä myös varsinaisen työalueen ulkopuolella.*
- i. Tartu sähkötyökälyän ainoastaan eristetyistä pinnoista, tehdeksi työtä, jossa saattaisit osua piilossa olevaan sähköjohtoon tai sahan omaan sähköjohtoon. *Kosketus jännitteeseen johtoon saattaa myös sähkötyökälyän metalliosat jännitteiseksi ja johtaa sähköiskuun.*
- j. Pidä sähkötyökäly poissa pyöriästä vaihtotyökälyistä. *Jos menetät sähkötyökälyän hallinnan, saattaa verkkojohto tulla katkaistuksi tai tarttua kiinni ja vetää kätesi tai käsivartesi kiinni pyöriävään vaihtotyökälyän.*
- k. Älä aseta sähkötyökälyä pois, ennen kuin vaihtotyökäly on pysähtynyt kokonaan. *Pyörivä vaihtotyökäly saattaa koskettaa lepompintaa ja voit menettää sähkötyökälysi hallinnan.*
- l. Älä koskaan pidä sähkötyökälyä käynnissä sitä kantaessasi. *Vaatteesi voi hetkellisen kosketuksen seurauksena tarttua kiinni pyöriävään vaihtotyökälyän, joka saattaa porautua kehoosi.*
- m. Puhdista sähkötyökälysi tuuletusaukkoja säännöllisesti. *Moottorin tuuletin imee pölyä työkalun koteloon, ja voimakas metallipölyn kasautuma voi synnyttää sähköisiä vaaratilanteita.*
- n. Älä käytä sähkötyökälyä palavien aineiden lähellä. *Kipinät voivat sytyttää näitä aineita.*
- o. Älä käytä vaihtotyökälyjä, jotka tarvitsevat nestemäistä jäähdytysainetta. *Veden tai muiden nestemäisten jäähdytysaineiden käyttö saattaa johtaa sähköiskuun.*

## TAKAISKU JA VASTAAVAT VARO-OHJEET

Takaisku on äkillinen reaktio, joka syntyy pyörivän vaihtotyökälyän, kuten hiomalaiikan, hiomalautasen tai teräsharjan tarttuessa kiinni tai jäädessä puristukseen. Tarttuminen tai puristukseen joutuminen johtaa pyörivän vaihtotyökälyän äkilliseen pysähtymiseen. Tällöin hallitsematon sähkötyökäly sinkoutuu tarttumakohdasta vaihtotyökälyän kiertosuunnasta vastakkaiseen suuntaan. Jos esim. hiomalaiikka tarttuu tai joutuu puristukseen työkappaleeseen, saattaa hiomalaiikan reuna, joka on unponnut työkappaleeseen, juuttua kiinni aiheuttaen hiomalaiikan ponnahduksen ulos työkappaleesta tai aiheuttaa takaiskun. Hiomalaiikka liikkuu silloin käyttävää henkilöä vasten tai pois päin hänestä, riippuen laikan kiertosuunnasta tarttumakohdassa. Tällöin hiomalaiikka voi myös murtua. Takaisku johtuu sähkötyökälyän vääriinkäytöstä tai käytöstä vääriin tarkoituksiin. Se voidaan estää sopivin varotoimin, joita selostetaan seuraavassa.

- a. Pitele sähkötyökälyä tukevasti ja saata kehosi ja käsivartesi asentoon, jossa pystyt vastaamaan takaiskuvoimiin. Käytä aina lisäkavhaa, jos sinulla on sellainen, jotta pystyisit parhaalla mahdollisella tavalla hallitsemaan takaiskuvoimia tai vastamomentteja työkalun ryntökäynnissä. *Käyttävä henkilö pystyy hallitsemaan takaisku ja vastamomenttivoimat noudattamalla sopivia suojatoimenpiteitä.*



- b. Älä koskaan tuo kättäsi lähelle pyörivää vaihtotyökäluä. *Vaihtotyökälu saattaa takaiskun sattuuessa liikkua kätesi yli.*
- c. Vältä pitämästä kehoasi alueella, johon sähkötyökälu liikkua takaiskun sattuuessa. *Takaisku pakottaa sähkötyökälu vastakkaiseen suuntaan hiomalaikan liikkeeseen nähden tarttumiskohdassa.*
- d. Työskentele erityisen varovasti kulmien, terävien reunojen jne. alueella, estä vaihtotyökälu ponnahtamasta takaisin työkappaleesta ja juuttumasta kiinni. *Pyörivällä vaihtotyökälualla on taipumus juuttua kiinni kulmissa, terävissä reunoissa tai saadessaan kimmokkeen. Tämä johtaa hallinnan häiriöön tai takaisuun.*
- e. Älä käytä ketjuteriä tai hammastettuja sahanteriä. *Tällaiset vaihtotyökälu aiheuttavat usein takaiskun tai sähkötyökälu hallinnan menettämisen.*

## ERITYISET OHJEET HIONTAAN JA KATKAISUHIONTAAN

- a. Käytä yksinomaan sähkötyökäluillesi sallittuja hiomatyökäluja ja näitä hiomatyökäluja varten tarkoitettuja suojuksia. *Hiomatyökäluja, jotka eivät ole tarkoitettuja sähkötyökälu kanssa käytettäväksi, ei voida suojata riittävästi ja ne ovat turvattomia.*
- b. Hiomatyökäluja saa käyttää ainoastaan siihen käyttöön mihin niitä suositellaan. Esim: Älä koskaan hio hiomalaikan sivupintaa käyttäen. *Hiomalaikat on tarkoitettu hiontaan laikan ulkokehällä. Sivuttain kohdistuva voima saattaa murtaa hiomalaikan.*
- c. Käytä aina virheetöntä, oikean kokoista ja muotoista kiinnitysliappaa valitsemallesi hiomalaikalle. *Sopivat laipat tukevat hiomalaikkaa ja vähentävät näin hiomalaikan murtumisriskiä. Katkaisulaikkojen laipat saattavat poiketa muitten hiomalaikkojen laipoista.*
- d. Älä käytä isompiin sähkötyökäluihin kuuluneita, kuluneita hiomalaikkoja. *Suurempien sähkötyökälujen hiomalaikat eivät sovellu pienempien sähkötyökälujen suuremmille kierrosluvuille, ja ne voivat murtaa.*

## MUITA KATKAISUHIONTAAN LIITTYVIÄ ERITYISVARO-OHJEITA

- a. Vältä katkaisulaikan juuttumista kiinni ja liian suurta syöttöpainetta. Älä tee liian syviä leikkauksia. *Katkaisulaikan ylikuormitus kasvattaa sen rasitusta ja sen alltiutta kallistua tai juuttua kiinni ja siten takaiskun ja laikan murtumisen mahdollisuutta.*
- b. Vältä aluetta pyörivän katkaisulaikan edessä ja takana. *Jos katkaisulaikka liikkuu työkappaleesta sinusta pois päin, saattaa sähkötyökälu takaiskun sattuuessa singota suoraan sinua kohti laikan pyöriessä.*
- c. Jos katkaisulaikka joutuu puristukseen tai keskeytät työn, tulee sinun pysäyttää sähkötyökälu ja pitää se rauhallisesti paikoillaan, kunnes laikka on pysähtynyt. Älä koskaan koeta poistaa vielä pyörivää katkaisulaikkaa leikkauksesta, se saattaa aiheuttaa takaiskun. *Määrittele ja poista puristukseen joutumisen syy.*
- d. Älä käynnistä sähkötyökäluä uudelleen, jos laikka on kiinni työkappaleesta. Anna katkaisulaikan ensin saavuttaa täysi kierroslukunsa, ennen kuin varovasti jatkat leikkausta.

- Muussa tapauksessa saattaa laikka tarttua kiinni, ponnahtaa ulos työkappaleesta tai aiheuttaa takaiskun.*
- e. Tue litteät tai isot työkappaleet, katkaisulaikan puristuksen aiheuttaman takaiskuväärän minimoimiseksi. *Suuret työkappaleet voivat taipua oman painonsa takia. Työkappaleelta tulee tulla keuh molemmilta puolilta, sekä katkaisuleikkauksen vierestä, että reunoista.*
- f. Ole erityisen varovainen upotusleikkauksissa siniini tai muihin alueisiin, joiden taustaa tai rakennetta ei pysty näkemään. *Uppoava katkaisulaikka saattaa aiheuttaa takaiskun osuessaan kaasui- tai vesiputkiin, sähköjohtoihin tai muihin kohteisiin.*

## ERITYISET VARO-OHJEET TYÖSKENTELYYN TERÄSHARJAN KANSSA

- a. Ota huomioon, että teräsharjasta irtoaa lankoja myös normaalkäytössä. Älä ylikuormita lankoja käyttämällä liian suurta painetta työkappaleelta vasten. *Irti sinkoutuvat langan kappaleet voivat helposti tunkeutua ohuen vaatteen tai ihon läpi.*
- b. Jos suojusta suositellaan, tulee sinun varmistaa, ettei suojuja teräsharja voi koskettaa toisiaan. *Lautas- ja kuppiharjojen halkaisijat voivat laajeta puristuspaineen ja keskipakovoiman johdosta.*
- c. Älä ylitä nopeutta 15 000 RPM käyttäessäsi teräsharjoja.

## YMPÄRISTÖ

### HÄVITYS

Sähkötyökälu, lisätarvikkeet ja pakkaukset tulee toimittaa ympäristöstävälliseen uusiokäyttöön.

## VAIN EU-MAITA VARTEN




Älä heitä sähkötyökäluja talousjätteisiin! Eurooppalaisen vanhoja sähkö- ja elektronikalaitteita koskevan direktiivin 2002/96/EY ja sen kansallisten lakien muunnosten mukaan, tulee käyttökelvottomat sähkötyökälu kerätä erikseen ja toimittaa ympäristöstävälliseen uusiokäyttöön.

## TEKNISET TIEDOT

### YLEISET TEKNISET TIEDOT

Jännitearvot . . . . .	230-240 V, 50-60 Hz
Nimellisteho . . . . .	175 W
Nimellinnopeus (n) . . . . .	35.000 rpm
Hylsykapasiteetti . . . . .	0,8 mm; 1,6 mm; 2,4 mm;
	3,2 mm

 Luokan II rakenne . . . . . Kaksoeristetyn rakenteen työkalut (Kuva 5)

## JATKOJOHDOT

Käytä täysin suoristettua ja turvallista jatkojohtoa, jonka kapasiteetti on 5 ampeeria.

## KOKOAMINEN

IRROTA MULTITYÖKALU AINA VERKKOVIRRASTA ENNEN TARVIKKEIDEN TAI ISTUKKAHYLSYN VAIHTOJA TAI TYÖKALUN HUOLTOA.

## YLEISTÄ

Dremel-multityökalu on laadukas tarkkuustyökalu, jota voi käyttää tarkkoihin ja monimutkaisiin töihin. Laaja Dremel-tarvikkeiden ja lisälaitteiden valikoima mahdollistaa monenlaisten töiden suorittamisen. Näitä ovat muunmuassa hiominen, veistäminen, kaivertaminen ja jyrstä sekä katkaisu, puhdistus ja kiillotus.

### KUVA 6

- Karalukkopainike
- Päällä-/pois päältä -kytkin
- Nopeussäädin
- Virtajohto
- Teline
- Tuuletusaukot
- Istukka-avain
- Varsi
- Rungon kärkikappale
- Istukkamutteri
- Istukkahylsy

## ISTUKKAHYLSYT

Multityökaluun sopivissa Dremel-tarvikkeissa on eri variskokoja. Istukkahylsyjä on neljää eri kokoa ja ne sopivat eri kokoisin varsiin. Eri kokoiset istukkahylsyt tunnistaa hylsyn takana olevista renkaista.

### KUVA 7

- Istukkamutteri
- 3,2 mm:n istukkahylsy ilman rengasta (480)
- 2,4 mm:n istukkahylsy kolmella renkaalla (481)
- 1,6 mm:n istukkahylsy kahdella renkaalla (482)
- 0,8 mm:n istukkahylsy yhdellä renkaalla (483)
- Tunnusrenkaat

*HUOMAA: Joissakin multityökalusarjoissa ei ehkä ole kaikkia neljää istukkahylsykokoa. Istukkahylsyjä on saatavana erikseen.*

Käytä aina istukkahylsyä, joka sopii sen lisävarusteen rungon kokoon, jota aiot käyttää. Älä pakota läpimitaltaan suurempaa karanvartta pienempään istukkahylsyyn.

## ISTUKKAHYLSYN VAIHTAMINEN

### KUVA 8

- Istukka-avain
- Karalukkopainike
- Istukkamutteri
- Löysääminen
- Kiristäminen

- Paina karalukkopainiketta, pidä alhaalla ja käännä karaa kädellä, kunnes se kiinnittyy varteen. Älä kytke karalukkopainiketta, kun multityökalu on käynnissä.
- Pidä karalukkopainiketta alhaalla, kierrä auki ja irrota istukkamutteri. Käytä tarvittaessa istukka-avainta.
- Poista istukkahylsy vetämällä se irti varresta.
- Asenna sopivan kokoinen istukkahylsy täysin varteen ja laita istukkamutteri takaisin sormikireyteen. Älä kiristä mutteria täysin, ennen kuin terä tai tarvike on asennettu.

## TARVIKKEEN VAIHTAMINEN

### KUVA 8

- Paina karalukkopainiketta ja käännä karaa kädellä, kunnes se kiinnittyy varsilukkoon. *Älä kytke karalukkopainiketta, kun multityökalu on käynnissä.*
- Pidä karalukkopainiketta alhaalla, kierrä istukkamutteri auki (älä irrota). Käytä tarvittaessa istukka-avainta.
- Työnä terä tai tarvikevarsi täysin istukkahylsyyn.
- Kun karalukkopainike on kytketty, kiristä käsin istukkahylsyn mutteri, kunnes terä tai tarvikevarsi tarttuu istukkahylsyyn. *HUOMAA: Muista lukea Dremel-tarvikkeen mukana toimitetut ohjeet, joista saat lisätietoja sen käytöstä.*

Käytä vain Dremelin testaamia, suorituskykyisiä tarvikkeita.

## VARUSTEIDEN TASAPAINOTTAMINEN

Tarkkuustyössä on tärkeää, että kaikki varusteet ovat hyvässä tasapainossa (samaan tapaan kuin auton renkaat). Jos haluat tasapainottaa varusteen, löysennä hylsymutteria hieman ja käännä varustetta tai hylsyä 1/4-kierros. Kiristä hylsymutteri ja käytä kiertomootoria. Äänen ja tuntuman perusteella pitäisi pystyä kertomaan, onko varuste tasapainossa. Jatka säätämistä tähän tapaan, kunnes olet saavuttanut parhaan tasapainon.

## KÄYTÖN ALOITTAMINEN

### KÄYTÄ

Ensimmäinen askel multityökalun käytössä on saada siihen tuntumaa. Pidä sitä kädessäsi ja tunnustele sen painoa ja tasapainoa. Tunnustele kotelon kartiomaistaärkeä. Tämä mahdollistaa sen että työkalua voi pidellä kuten kynää.

*Pitele työkalua aina pois päin kasvoistasi. Tarvikkeet voivat vahingoittaa käsittelyn aikana ja lennähtää irti nopeuden kasvaessa. Kun pitelet työkalua, älä peitä ilmanpoistoaukkoja kädelläsi. Ilmanpoistoaukkojen peittäminen voi aiheuttaa moottorin ylikuumenemisen.*

**TÄRKEÄÄ:** Harjoittele ensin johonkin jännösmateriaaliin, jotta näet miten työkalun suuri nopeus käyttäytyy. Pidä mielessä, että multityökalu suoriutuu tehtävästään parhaiten, kun annat sen nopeuden sekä oikean Dremel-tarvikkeen ja lisälaitteen hoitaa työn puolestasi. Älä kohdistaa työkaluun painetta työskentelyn aikana, jos vain mahdollista. Laske sen sijaan pyörivä tarvike kevyesti työalustalle ja anna sen koskettaa kohtaa, josta haluat aloittaa. Keskity ohjaamaan työkalua työn yli ja käytä hyvin vähän voimaa. Anna lisävarusteen tehdä työ.

On yleensä parempi tehdä työkalulla muutamia vetoja sen sijaan, että yrittäisi tehdä koko työn yhdellä vedolla. Kevyt kosketus antaa parhaimman hallinnan ja vähentää virheen mahdollisuutta.

## TYÖKALUN PITELEMINEN

Saadaksesi parhaan kontrollin lähtötyöskentelyssä tartu multityökaluun kuten kynään peukalollasi ja etusormellasi. KUVA 9  
Golfotetta käytetään raskaammissa töissä, kuten hionnassa ja katkaisussa. KUVA 10

### Kärkipala

Tarkkuustyöskentelyä varten on saatavilla erillinen kärkipala. Kolmilohkoisen muodon ansiosta kärkipala on helppo puristaa peukalon ja etusormen väliin. Sen muoto tarjoaa erinomaisen tähtäysviivan etsausta, sorvausta ja kaiverrusta varten. Tämä kärki ei sisällä kaikkiin pakkauksiin. KUVA 11

## TYÖSKENTELYNOPEUDET

Valitse oikea nopeus kuhunkin työhön käyttämällä harjoitusmateriaalia.

### TYÖNNÄ KATKAISINTA

Työkaluun kytketään virta moottorin kotelon päällä olevalla liukusäätimellä.

KYTKE TYÖKALUUN VIRTAA työntämällä liukusäädintä eteenpäin. KATKAISE TYÖKALUSTA VIRTAA työntämällä liukusäädintä taaksepäin.

### TEHOMOOTTORI

Työkalusi on varustettu tehokkaalla kiertomoottorilla. Tämän moottorin ansiosta kiertotyökalulla voidaan käyttää useampaa Dremel-lisäosia

### ELEKTRONINEN PALAUTE

Työkalu on varustettu elektronisella palautejärjestelmällä, joka tarjoaa "pehmeän käynnistyksen". Tämä vähentää voimakkaan alkuväännön aiheuttamaa rasitusta. Järjestelmä myös auttaa pitämään valitun nopeuden lähes vakiona kuormituksen vaihdeltaessa.

### NOPEUSSÄÄDIN

Työkalu on varustettu nopeussäätimellä. Nopeutta voidaan säätää käytön aikana asettamalla säädin mihin tahansa asetukseen tai asetusten välille.

Kiertotyökalun nopeutta säädetään asettamalla tämä kotelossa oleva säädin. KUVA 12

## Kierrosnopeuden asetukset

Vaihda asetusta	Nopeusväli
5	5.000 RPM
10	10.000 RPM
*15	15.000 RPM
20	20.000 RPM
25	25.000 RPM
30	30.000 RPM
35	35.000 RPM

\* Älä ylitä nopeutta 15 000 RPM käyttäessäsi teräsharjoja.

Katso nopeudensäätöalukosta sivuilta 4-7 ohjeet oikeaan nopeuden säätöön kullekin työstettävälle materiaalille ja käytettävälle tarvikkeelle.

Useimmat työt voidaan suorittaa käyttämällä työkalua sen nopeimmalla asetuksella. Jotkin materiaalit (tietyt muovit ja metallit) voivat kuitenkin vahingoittaa suuren nopeuden kehittämästä kuumuudesta, ja niitä tulee työstää suhteellisen alhaisilla nopeuksilla. Pieni nopeus (15.000 kierr./min tai alle) on yleensä paras kiillotuksessa, kun käytetään huopakiihottustarviketta. Kaikissa harjauksissa käytetään alhaisempaa nopeutta, jotta voidaan välttää harjasten irtoamista kiinnityksestään. Anna työkalun tehon tehdä työ puolestasi, kun käytät pienempiä nopeusasetuksia. Suuremmat nopeudet sopivat paremmin kovapuulle, metalleille ja lasille sekä poraukseen, veistoon, katkaisuun, jyräntään, muotoiluun ja urien kuvioiden leikkaukseen puuhun.

Joitakin ohjeita työkalun kierrosnopeuksiin:

- Muovi ja muut materiaalit, jotka sulavat alhaisissa lämpötiloissa, tulisi leikata alhaisilla nopeuksilla.
- Kiillotus, hiominen ja puhdistaminen teräsharjalla täytyy tehdä nopeudella joka on alle 15.000 kierr./min, jotta estetään harjan ja materiaalin vahingoittuminen.
- Puu tulisi leikata suurella nopeudella.
- Rauta tai teräs tulisi leikata suurella nopeudella.
- Jos suurinopeuksinen teräsleikkuri alkaa tärähtää, se tarkoittaa yleensä sitä, että se pyörii liian hitaasti.
- Alumiini, kupariseokset, lyijyseokset, sinkkiseokset ja tina voidaan leikata eri nopeuksilla riippuen tehtävästä leikkauksesta. Käytä parafiinia (ei vettä) tai muuta sopivaa voiteluainetta leikkurissa, jotta estetä leikatun materiaalin tarttumisen leikkuriin teriin.

*HUOMAA: Paineen lisääminen työstökohdetta vasten ei ole oikea ratkaisu, jos työkalu ei toimi oikein. Kokeile toista tarviketta tai nopeutta saavuttaaksesi halutun tuloksen.*

## KUNNOSSAPITO

*Valtuuttamattomien henkilöiden suorittamat ennaltaehkäiset huoltotoimet voivat johtaa sisäisten johtojen ja osien vääriin sijoittamiseen, mikä voi aiheuttaa vakavan vaaran. Suosittelemme, että Dremelin huoltopalvelu suorittaa kaikki työkalun huoltotoimenpiteet. Vältä yllättävän käynnistymisen tai sähköiskun vaara irrottamalla pistoke aina pistorasiasta ennen huoltoa tai puhdistusta.*

## PUHDISTUS

### **VAROITUS** ONNETTOMUUKSIEN VÄLTÄMISEKS IRROTA TYÖKALU JA/TAI LATURI

VIRTALÄHTEESTÄ ENNEN PUHDISTUSTA . *Työkalun voi tehokkaimmin puhdistaa kuivalla paineilmalla. Pidä aina suojalaseja, kun puhdistat työkaluja paineilmalla.*

Tuuletusaukot ja kytkinvivut on pidettävä puhtaina ja vapaina. Älä yritä puhdistaa työkalua työntämällä teräviä esineitä aukon läpi.

### **VAROITUS** TIETYT PUHDISTUSAINEEET JA LIUOTTIMET VAHINGOITAVAT MUOVIOOSIA. Näitä ovat muun muassa: bensiini, hiilitetrakloridi, klooripitoiset liuottimet, ammoniaakki ja ammoniaakia sisältävät kotitalouspuhdistusaineet.

## ASIAKASPALVELU JA TAKUU

### **VAROITUS** SISÄLLÄ EI OLE KÄYTTÄJÄN HUOLLETTAVIA OSIA. Valtuuttamattomien henkilöiden

suorittamasta ennaltaehkäisevästä huollosta voi seurata sisäisten johtojen ja osien vääriä sijoittaminen, mistä voi aiheutua vakava vaara. *Suosittellemme, että kaikki työkalun huollot teetetään Dremelin huoltokeskuksessa. HUOLTOTEKNIKOT: Irrottakaa työkalu ja/tai laturi virtalähteestä ennen huoltoa.*

Tämä DREMEL-tuote taataan lakisäateisten/maakohtaisten määräysten mukaan; takuu ei kata normaalista kulumisesta, ylikuormituksesta tai väärástá káástitelystä johtuvia vahinkoja.

Jos haluat tehdä valituksen, lähetä työkalu tai laturi *purkamattomana* yhdessä ostokuitin kanssa myyjälle.

## DREMELIN YHTEYSTIEDOT

Lisätietoja Dremelin tarjonnasta, tuesta ja asiakaspalvelusta on osoitteessa to [www.dremel.com](http://www.dremel.com).

Dremel Europe, P.O. Box 3267, 4800 DG Breda, Alankomaat

## ET ALGSETE JUHISTE TÖLGE



### **ETTEVAATUST** LUGEGE OHUTUSHOIATUSI JA KÕIKI JUHISEID. (JONIS 1)

*Hoiatuste ja juhiste mittejárgmine võib põhjustada elektrilõõgi, tulekahju ja/või tõsiseid vigastusi.*

**Hoidke kõik hoiatused ja juhised hilisemaks kasutamiseks alles.**

*Hoiatuses kasutatud termini „elektrilõõrist“ all peetakse silmas elektriga töötavaid (juhtmega) elektrilõõristu või akuga töötavaid (juhtmeta) elektrilõõristu.*

## TÕÕPIIRKONNA OHUTUS

- Hoidke tööpiirkond puhas ja korras. Tööpiirkonnas valitsev segadus ja hämarus võib põhjustada õnnetusi.*
- Ärge kasutage seadet plahvatusohtlikus keskkonnas, kus leidub tuleohtlikke vedelikke, gaase või tolmu. Elektrilistest tööriistadest lööb sädemeid, mis võivad tolmu või auru süüdata.*
- Elektrilise tööriista kasutamise ajal hoidke lapsed ja teised isikud tööpiirkonnast eemal. Kui Teie tähelepanu juhitakse kõrvale, võib seade Teie kontrolli alt väljuda.*

## ELEKTRIOHUTUS

- Seadme pistik peab pistikupessa sobima. Pistikut ei tohi mingil viisil muuta. Ärge kasutage kaitsemaandusega seadmete puhul adapterpistikuid. Muutmata pistikut ja sobivad pistikupesad vähendavad elektrilõõgi ohtu.*
- Vältige kehakontakti maandatud pindadega, näiteks torude, radiaatorite, pliitide ja külmikutega. Kui Teie keha on maandatud, on elektrilõõgi oht suurem.*
- Hoidke seadet vihma ja niiskuse eest. Elektriseadmesse sattunud vesi suurendab elektrilõõgi ohtu.*
- Kasutage toitejuhet üksnes nõuetekohaselt. Ärge kasutage toitejuhet seadme kandmiseks, ülesriputamiseks ega pistiku pistikupesast väljatõmbamiseks. Hoidke toitejuhet kuumuse, õli, teravate servade ja seadme liikuvate osade eest. Kahjustatud või keerduläänud toitejuhe suurendab elektrilõõgi ohtu.*
- Kui töötate elektrilise tööriistaga välistingimustes, kasutage ainult selliseid pikendusjuhtmeid, mis on ette nähtud kasutamiseks ka välistingimustes. Välistingimustes kasutamiseks sobiv pikendusjuhe vähendab elektrilõõgi ohtu.*
- Kui elektrilise tööriista kasutamine niiskes keskkonnas on vältimatu, kasutage maandusega lekkevoolukaitset. Maandusega lekkevoolukaitse kasutamine vähendab elektrilõõgi ohtu.*

## INIMESTE OHUTUS

- Olge tähelepanelik, jälgige oma tegevust ning tegutsege elektrilise tööriistaga töötades kaalutletult. Ärge kasutage seadet, kui olete väsinud või uimastite, alkoholi või ravimite mõju all. Hetkeline tähelepanematus seadme kasutamisel võib põhjustada raskeid vigastusi.*
-    *Kasutage isikukaitsevahendeid. Kandke alati kaitseprille. Sobivate isikukaitsevahendite, näiteks tolmu maski, libisemiskindlate turvajalatsite, kaitsekiivri või kuulmiskaitsevahendite kasutamine vähendab vigastuste ohtu. (JONIS 2 + 3 + 4)*
- Vältige seadme tahtmatut käivitamist. Enne pistiku pistikupessa ühendamist veenduge, et lüliti on väljalülitatud asendis. Kui hoiate seadme kandmise ajal sorme lülilil või ühendate vooluvõrku sisselülitatud seadme, võib see põhjustada õnnetusi.*
- Enne seadme sisselülitamist eemaldage selle küljest reguleerimis- ja mutrivõtmed. Seadme pöörleva osa küljes olev reguleerimis- või mutrivõti võib põhjustada vigastusi.*

## OHUTUSHOIATUSED LIHVIMISEKS, LIIVAJOAGA TÖÖTLEMISEKS, TRAATHARJAMISEKS, POLEERIMISEKS VÕI ABRASIIVKETTAGA TÜKELDAMISEKS

- e. Ärge hinnake end üle. Võtke stabiilne tööasend ja hoidke kogu aeg tasakaalu. Nii saate seadete ootamatutes olukordades paremini kontrollida.
- f. Kandke sobivat rõivastust. Ärge kandke laiu riideid ega ehteid. Hoidke juuksed, rõivad ja kindad seadme liikuvatest osadest eemal. Lotendavad riided, ehteid või pikad juuksed võivad sattuda seadme liikuvate osade vahele.
- g. Kui on võimalik paigaldada tolmuemaldus- ja tolmu kogumisseadiseid/seadmeid, veenduge, et need on seadmega ühendatud ja et neid kasutatakse õigesti. Nende seadiste/seadmete kasutamine vähendab tolmust põhjustatud ohte.

### ELEKTRILISTE TÖÖRIISTADE KÄSITSEMINE JA HOOLDAMINE

- a. Ärge koormake seadete üle. Kasutage töö tegemiseks selleks ettenähtud elektrilist tööriista. Sobiva elektrilise tööriistaga töötate ettenähtud jõudluspiirides tõhusamalt ja ohutumalt.
- b. Ärge kasutage elektrilist tööriista, mille lüliti on rikkis. Elektriline tööriist, mida ei saa enam lülitist sisse ja välja lülitada, on ohtlik ning tuleb toimetada parandusse.
- c. Enne seadme reguleerimist, tarvikute vahetamist ja seadme ärapanemist tõmmake seadme toitepistik pistikupesast välja. See ettevaatusabinõu väldib seadme tahtmatut käivitamist.
- d. Kasutusvälisel ajal hoidke elektrilisi tööriistu lastele kättesaamatus kohas. Ärge lubage seadete kasutada isikutel, kes ei ole kursis seadme tööpõhimõttega ega ole tutvunud käesolevate juhistega. Asjatundmatute kasutajate käes on elektrilised tööriistad ohtlikud.
- e. Hooldage seadete korralikult. Veenduge, et seadme liikuvad osad töötavad korralikult ega kiildu kinni ja et seadme osad ei ole katki või kahjustatud määral, mis võiks mõjutada seadme veatut tööd. Laske kahjustatud osad enne seadme kasutamist parandada. Elektriliste tööriistade ebapiisav hooldus on paljude õnnetuste põhjuseks.
- f. Hoidke lõiketarvikud teravad ja puhtad. Hästi hooldatud, teravate lõikeservadega lõiketarvikud kiilduvad harvemini kinni ja neid on lihtsam juhtida.
- g. Kasutage elektrilist tööriista, lisavarustust, tarvikuid jmt vastavalt siintoodud juhistele ning nii, nagu konkreetse mudeli jaoks ette nähtud. Arvestage seejuures töötajate ja teostatava töö iseloomuga. Elektriliste tööriistade nõuetevastane kasutamine võib põhjustada ohtlikke olukordi.

**⚠ ETTEVAATUST** Ärge töödelge asbesti sisaldavat materjali (asbest võib tekitada vähki).

**⚠ ETTEVAATUST** Rakendage kaitseabinõusid, kui töötamisel võib tekkida tervistkahjustavat, süttimis- või plahvatusohtlikku tolmu (teatud liiki tolm võib tekitada vähki); kandke tolmu kaitsemaski ja võimaluse korral ühendage seade tolmuimejaga.

### TEENINDUS

- a. Laske seadete parandada ainult kvalifitseeritud spetsialistidel, kes kasutavad originaalvaruosi. Nii tagate seadme pideva ohutu tööd.

- a. Käesolev elektriline tööriist on ette nähtud lihvimiseks, liivapaberiga lihvimiseks, traatharjaga töötlemiseks, poleerimiseks ja lõikamiseks. Järgige kõiki tööriista kaasasolevaid hoiatusi, juhiseid, jooniseid ja tehnilisi andmeid. Järgnevalt toodud juhiste eiramise tagajärjeks võib olla elektrilöökk, tulekahju ja/või rasked vigastused.
- b. Ärge kasutage lisatarvikuid, mis ei ole tootja poolt käesoleva elektrilise tööriista jaoks ette nähtud või soovitatud. See, et saate lisatarvikut oma tööriista külge kinnitada, ei taga veel tööriista ohutut kasutamist.
- c. Kasutatava tarviku lubatud pöörete arv peab olema vähemalt sama suur nagu elektrilise tööriista maksimaalne pöörete arv. Tarvik, mis pöörleb lubatust kiiremini, võib puruneda.
- d. Tarviku läbimõõt ja paksus peavad ühtima elektrilise tööriista mõõtetega. Valede mõõtetega tarvikut ei kata kaitse piisaval määral.
- e. Lihvkettad, seibid, lihvallad ja teised tarvikud peavad elektrilise tööriista spindliga täpselt sobima. Ebasobivad tarvikud pöörlevad ebaühtlaselt, vibreerivad tugevalt ja võivad põhjustada kontrolli kaotuse tööriista üle.
- f. Ärge kasutage vigastatud tarvikuid. Iga kord enne kasutamist kontrollige, ega lihvketastel ei esine pragusid või murenenud kohti, lihvalladadel pragusid või kulunud kohti, traatharjadel lahtisi või murdunud traate. Kui elektriline tööriist või tarvik maha kukub, siis kontrollige, ega see ei ole vigastatud ning vajadusel võtke vigastatud tarviku asemel kasutusele vigastamata tarvik. Kui olete tarviku üle kontrollinud ja kasutusele võtnud, hoidke ennast ja lähedal viibivaid isikuid väljaspool pöörleva tarviku tasandit ja laske tööriistal töötada ühe minuti vältel maksimaalpöoretel. Selle testperioodi jooksul vigastatud tarvikud üldjuhul murruvad.
- g. Kasutage isikukaitsevahendeid. Kandke vastavalt kasutusotstarbele näokaitsemaski või kaitseprille. Vajadusel kandke tolmu kaitsemaski, kuulmiskaitsevahendeid, kaitsekindaid või spetsiaalpole, mis kaitseb Teid lihvimisel eralduvate väikeste materjaliosakeste eest. Silmi tuleb kaitsta töödeldavast materjalist eralduvate kildude ja võõrkehade eest. Tolmu- ja hingamisteede kaitsemaskid peavad filtreerima tekkiva tolmu. Pikaajaline tugev müra võib kahjustada kuulmist.
- h. Veenduge, et teised inimesed asuvad tööpiirkonnast ohutus kauguses. Igaüks, kes tööpiirkonda siseneb, peab kandma isikukaitsevahendeid. Materjalist eralduvad kildud või murdunud tarvikud võivad õhku paiskuda ning põhjustada vigastusi ka tööpiirkonnast väljaspool.
- i. Kui on oht, et tarvik võib puutuda kokku varjatud elektrijuhtme või seadme enda toitejuhtmega, tuleb elektrilist tööriista hoida ainult isoleeritud käepidemetest. Kokkupuude pingele all oleva juhtmega võib tekitada pingele seadme metallosades ja põhjustada elektrilöögi.
- j. Hoidke toitejuhe pöörlevatest tarvikutest eemal. Kui kaotate kontrolli seadme üle, tekib toitejuhtme läbiloikamise või

- tarviku poolt kaasahaaramise oht ning Teie käsi võib pöörleva tarvikuga kokku puutuda.*
- k. Pange tööriist käest alles siis, kui tarvik on seiskunud. Pöörlev tarvik võib alusega kokku puutuda, mille tagajärjel võite kaotada kontrolli tööriista üle.
  - l. Ärge transportige töötavat tööriista. Teie rõivad võivad jääda pöörleva tarviku külge kinni ning tarvik võib tungida Teie kehasse.
  - m. Puhastage regulaarselt tööriista tuulutusavasid. Töötav mootor tõmbab korpusesse tolmud ning kogunev metallitolm võib vähendada elektrihoiust.
  - n. Ärge kasutage elektrilist tööriista süttivate materjalide läheduses. Sädemete tõttu võivad taolised materjalid süttida.
  - o. Ärge kasutage tarvikuid, mille puhul on vaja kasutada jahutusvedelikke. Vee või teiste jahutusvedelike kasutamine võib põhjustada elektrilööki.

---

## TAGASILÖÖK JA ASJAOMASED OHUTUSNÕUDED

---

- Tagasilöök on kinnikiildunud pöörlevast tarvikust, näiteks lihvketast, lihvallast, traatharjast vmt põhjustatud järsk reaktsioon. Kinnikiildumine põhjustab pöörleva tarviku äkilise seiskumise. See omakorda tingib seadme kontrollimatu liikumise tarviku pöörlemissuunaga vastupidises suunas. Lihvketta kinnikiildumise tagajärjeks võib olla lihvketta murdumine või tagasilöök. Lihvketas liigub siis sõltuvalt ketta pöörlemissuunast kas tööriista kasutaja suunas või kasutajast eemale. Seejuures võivad lihvketad ka murduda. Tagasilöök on seadme vale või ebaõige kasutuse tagajärg. Tagasilööki saab ära hoida, kui rakendada järgnevalt kirjeldatud sobivaid ettevaatusabinõusid.
- a. Hoidke elektrilist tööriista tugevasti ja viige oma keha ja käed asendisse, milles saate tagasilöögiõududele vastu astuda. Kasutage alati lisakäepidid, kui see on olemas, et saavutada tagasilöögiõudude või reaktsioonimomentide üle võimalikult suurt kontrolli. Seadme kasutaja saab sobivate ettevaatusabinõude rakendamisega tagasilöögi- ja reaktsioonijõudusid kontrollida.
  - b. Ärge viige oma kätt kunagi pöörlevate tarvikute lähedusse. Tarvik võib tagasilöögi puhul riivata Teie kätt.
  - c. Vältige oma kehaga piirkonda, kuhu seade tagasilöögi puhul liigub. Tagasilöök paiskab seadme lihvketta liikumissuunale vastassuunas.
  - d. Töötage eriti ettevaatlikult nurkade, teravate servade jmt piirkonnas. Vältige tarviku tagasipõrkumist toorikult ja toorikusse kinnijäämist. Pöörlev tarvik kaldub nurkades, teravates servades ja tagasipõrkumise korral kinni kiilduma. See põhjustab kontrolli kaotuse tööriista üle või tagasilöögi.
  - e. Ärge kasutage kett- ega hammastatud ketast. Sellised tarvikud põhjustavad tihti tagasilöögi või kontrolli kaotuse seadme üle.

---

## TÄIENDAVAD OHUTUSNÕUDED LIHVIMISEL JA LÕIKAMISEL

---

- a. Kasutage alati konkreetse seadme jaoks ette nähtud lihvimistarvikut ja konkreetse lihvimistarviku jaoks ette nähtud kettakaitset. Kettakaitse ei kata lihvimistarvikuid, mis ei ole tööriista jaoks ette nähtud, piisaval määral ning need on ohtlikud.

- b. Lihvimistarvikuid tohib kasutada üksnes otstarbel, milleks need on ette nähtud. Kunagi ei tohi lihvimiseks kasutada lõikeketta külgpinda. Lõikekettad on ette nähtud materjali lõikamiseks ketta servaga. Külgsuunas avalduv jõud võib lõikeketta purustada.
- c. Kasutage alati valitud lihvketta jaoks sobiva suuruse ja kujuga kinnitusflantsi. Sobivad flantsid kaitsevad lõikeketast ja hoiavad ära lihvketta purunemise ohu. Lõikeketta flantsid võivad lihvketaste flantsidest erineda.
- d. Ärge kasutage suuremate elektriliste tööriistade kulunud lihvketaid. Suuremate elektriliste tööriistade lihvketad ei sobi kasutamiseks väiksemate elektriliste tööriistade kõrgemal pööretel ning võivad puruneda.

---

## TÄIENDAVAD OHUTUSNÕUDED LÕIKAMISEL

---

- a. Vältige lõikeketta kinnikiildumist ja ärge avaldage lõikekettale liigset survet. Ärge tehke liiga sügavaid lõikeid. Lõikekettale avalduv liigne koormus suurendab lõikeketta kulumist ja kalduvust kinnikiildumiseks, mistõttu suureneb ka tagasilöögi või lihvketta purunemise oht.
- b. Vältige pöörleva lõikeketta ette ja taha jäävat piirkonda. Kui juhite lõikeketast toorikus endast eemale, võib tööriist koos pöörleva kettaga lennata tagasilöögi korral otse Teie suunas.
- c. Kui lõikeketas kinni kiildub või kui Te töö katkestate, lülitage tööriist välja ja hoidke seda end kontrolli all seni, kuni lõikeketas seiskub. Ärge kunagi püüdke veel pöörlevat lõikeketast lõikejoonest välja tõmmata, kuna vastasel korral võib toimuda tagasilööki. Tehke kindlaks ja kõrvaldage kinnikiildumise põhjus.
- d. Ärge lülitage tööriista uuesti sisse, kui see asub veel toorikus. Enne lõikeprotsessi ettevaatlikku jätkamist laske lõikekettal jõuda maksimaalsetele pööretel. Vastasel korral võib lõikeketas kinni kiilduda, toorikust välja hüpata või tagasilöögi põhjustada.
- e. Toestage plaadid ja suured toorikud, et vältida kinnikiildunud lõikekettast põhjustatud tagasilöögi ohtu. Suured toorikud võivad omaenda raskuse all läbi painduda. Toorik tuleb toetada mõlemalt poolt, nii lõikejoone lähedalt kui servast.
- f. Olge eriti ettevaatlik sisselõigete tegemisel olemasolevatesse seintesse või teistesse varjatud piirkondadesse. Lõikeketas võib tabada gaasi- või veetorusid, elektrijuhtmeid või teisi objekte, mille tagajärjeks võib olla tagasilööki.

---

## TÄIENDAVAD OHUTUSNÕUDED TÖÖTAMISEL TRAATHARJADEGA

---

- a. Pidage silmas, et traatharjast eraldub ka tavalise kasutuse käigus traaditükke. Ärge koormake traate üle, avaldades neile liigset survet. Eemalepaiskuvad traaditükid võivad kergesti tungida läbi õhukeste riiete ja/või naha.
- b. Kui on soovitatav kasutada kettakaitset, siis tuleb ära hoida kettakaitse ja traatharja kokkupuute võimalus. Taldrik- ja kaussharjade läbimõõt võib avaldava surve ja tsentrifugaaljõudude toimel suurenedada.
- c. Kui töötate traatharjadega, siis ärge kasutage suuremat pöörete arvu kui 15 000 p/min.

## KESKKOND

### UTILISEERIMINE

Elektrilised tööriistad, lisatarvikud ja pakend tuleks keskkonnasäästlikult ringlusse võtta.

### ÜKSNES ELI LIIKMESRIIKIDELE



Ärge käidelda elektrilisi tööriistu koos olmejäätmetega! Vastavalt Euroopa Parlamendi ja nõukogu direktiivile 2002/96/EÜ elektri- ja elektroonikaseadmete jäätmete kohta ning selle ülevõtmisele liikmesriikide õigusesse tuleb kasutusressursi ammendanud elektrilised tööriistad eraldi kokku koguda ja keskkonnasäästlikult ringlusse võtta.

## TEHNILISED ANDMED

### ÜLDISED ANDMED

Pinge ..... 230-240 V, 50-60 Hz  
Nimivõimsus ..... 175 W  
Nimipöörded (n) ..... 35.000 p/min.  
Tsang ..... 0,8 mm, 1,6 mm, 2,4 mm,  
3,2 mm

Klass II ..... Topeltisolatsiooniga tööriistad  
(JONIS 5)

### PIKENDUSJUHE

Kasutage üksnes täielikult lahti keritud ja kahjustusteta 5 A pikendusjuhet.

## MONTAÄ

ENNE TARVIKUTE VÕI TSANGI VAHETAMIST JA SEADME HOOLDAMIST EEMALDAGE ALATI SEADME PISTIK PISTIKUPESAST.

### ÜLDTEAVE

Dremel Multitool on seade ülisuurt täpsust nõudvate tööde tegemiseks. Dremeli tarvikute ja otsakute lai valik võimaldab seadet kasutada väga erinevateks töödeks. Need hõlmavad näiteks lihvimist, freesimist, graveerimist, lõikamist, puhastamist ja poleerimist.

#### JONIS 6

- A. Spindililukustusnupp
- B. Lülitit (sisse/välja)
- C. Kiiruse valikulüliti
- D. Toitejuhe
- E. Riputusseadis
- F. Ventilatsioonivad
- G. Kinnitustsangi võti
- H. Võil
- I. Korpus kate
- J. Kinnitusmutter
- K. Kinnitustsang

## KINNITUSTSANGID

Dremeli Multitool tarvikute saba läbimõõt on erinev. Erinevate läbimõõtude jaoks on saadaval neli kinnitustsangi. Kinnitustsangi suurus on tuvastatav tsangi tagaküljel asuvate rõngaste abil.

#### JONIS 7

- A. Kinnitusmutter
- B. 3,2 mm kinnitustsang ilma rõngata (480)
- C. 2,4 mm kinnitustsang kolme rõngaga (481)
- D. 1,6 mm kinnitustsang kahe rõngaga (482)
- E. 0,8 mm kinnitustsang ühe rõngaga (483)
- F. Tunnusandmetega rõngas

**MÄRKUS.** Mõned Multitool komplektid ei sisalda kõiki kinnitustsange. Kinnitustsangid on lisatarvikutena eraldi saadaval.

Kasutage alati tarviku saba läbimõõduga sobivat kinnitustsangi. Ärge kunagi suruge suurema läbimõõduga tarviku saba jõuga väiksemasse kinnitustsangi.

## KINNITUSTSANGIDE VAHETAMINE

#### JONIS 8

- A. Kinnitustsangi võti
- B. Spindililukustusnupp
- C. Kinnitusmutter
- D. Vabastada
- E. Pingutada

1. Vajutage spindililukustusnupp alla, hoidke seda all ja keerake tarviku saba käega kinni. Ärge kunagi käsitsege spindililukustusnuppu siis, kui seade töötab.
2. Hoidke spindililukustusnuppu all, keerake lahti kinnitusmutter ja eemaldage see. Vajaduse korral kasutage kinnitustsangi võtit.
3. Tõmmake kinnitustsang spindililt maha.
4. Asetage soovitud suurusega tsang täielikult spindlisse ja keerake see kinnitusmutriga kergelt kinni. Ärge pingutage mutrit kunagi täielikult kinni, kui tarvikut ei ole paigaldatud.

## TARVIKUTE VAHETAMINE

#### JONIS 8

1. Vajutage spindililukustusnupp alla, hoidke seda all ja keerake tarviku saba käega kinni. Ärge kunagi käsitsege spindililukustusnuppu siis, kui seade töötab.
2. Hoidke spindililukustusnuppu all, keerake lahti kinnitusmutter (ärge eemaldage seda). Vajaduse korral kasutage kinnitustsangi võtit.
3. Lükake tarviku saba täielikult tsangi.
4. Hoidke spindililukustusnuppu all ja keerake kinnitusmutrit käega, kuni tsang haakub tarviku sabaga.  
**MÄRKUS.** Järgige tingimata ka asjaomase tarviku kasutusjuhiseid ja ohutusnõudeid.

Kasutage üksnes Dremeli poolt testitud kvaliteetseid tarvikuid.

## LISASEADMETE TASAKAALUSTAMINE

Täppistööde puhul on oluline, et kõik lisaseadmed on hästi tasakaalustatud (sarnaselt rehvide tasakaalustamisele). Lisaseadme täpseks häälestamiseks või tasakaalustamiseks avage kergelt tsangi mutter ja keerake lisaseadme või tsangi 1/4 pöörde võrra. Pingutage uuesti tsangi mutter ja käivitage minitrelli. Te peaksite olema suuteline otsustama seadme töötamisel tekkiva hääle järgi ja tundma, kas lisaseade on tasakaalustatud. Jätkake reguleerimist samal viisil, kuni lisaseade on täielikult tasakaalus.

## TÖÖJUHISED

### KÄSITSEMINE

Esmlt peaksite omandama seadme suhtes teatud tunnetuse. Võtke seade kätte ja tunnetage selle kaalu ja raskuskeset. Pöörake tähelepanu korpuse kujule. See lubab hoida seadet käes nagu sullepead või pliitsit.

*Hoidke seadet alati oma näost eemal. Ebasoodsatel asjaoludel võivad vigastatud tarviku osad kõrgetel pööretel eralduda ja eemale paiskuda.*

*Hoidke seadet nii, et Te ei kata käega kinni seadme ventilatsiooniväsiid. Ventilatsiooniväsiidade kinnitamise korral võib mootor üle kuumeneda.*

**OLULINE!** Testige seadet kõigepealt proovidetailil, et saada ülevaadet sellest, kuidas seade kõrgetel pööretel käitub. Parimad tulemused saavutate siis, kui kasutate õiget pöörete arvu ja sobivaid Dremeli tarvikuid ning otsakuid. Võimaluse korral ärge rakendage liigset survet. Viige tarvik ettevaatlikult tööpinnaga kokku ja puudutage õrnalt kohta, kust soovite töötlemist alustada. Keskenduge tarviku juhtimisele mõõda tööpinda, rakendades seadmele vaid väikest survet. Laske tarvikul endal töö ära teha.

Üldjuhul saavutate paremaid tulemusi siis, kui juhite seadet üle pinna mitte ühe, vaid mitu korda. Pealegi on Teil mõõduka surve korral seade paremini kontrolli alla ning vigade oht on väiksem.

### SEADME HOIDMINE

Täpse töö tegemiseks tuleb seadet hoida nagu pliitsit pöidla ja nimetissõrme vahel. JOONIS 9

Golfikepimeetod on ette nähtud kasutamiseks raskemate tööde, näiteks lihvimise ja lõikamise puhul. JOONIS 10

#### Otsak

Täppistööde teostamiseks on saadaval eraldi otsak. Sellel on kolmeküljeline kuju, mis võimaldab kasutajal otsakut mugavalt pöidla ja nimetissõrme vahel hoida. See meeldiv disain pakub silmadele suurepäraselt vaatejoont täpseks soovitusel, voolimiseks ja graveerimiseks. Otsak ei sisaldu igas komplektis. JOONIS 11

### PÖÖRETE ARV

Selleks, et valida iga töö jaoks õige kiirus, tehke katse proovituulil.

#### "ON/OFF" LÜLITI

Tööriist lülitatakse "SISSE" lülitusnupust, mis paikneb mootori korpusel.

TÖÖRIISTA "SISSE" LÜLITAMISEKS lükkake lülitusnupp ettepoole. TÖÖRIISTA "VÄLJA" LÜLITAMISEKS lükkake lülitusnupp tahapoole.

#### SUURE JÕUDLUSEGA MOOTOR

Teie tööriist on varustatud suure jõudlusega minitrelli mootoriga. See mootor võimaldab minitrelli mitmekülgset, võimaldades töötada täiendavate Dremeli lisaseadmetega.

#### ELEKTROONILINE TAGASISIDE

Teie tööriist on varustatud sisemise elektroonilise tagasisidesüsteemiga "sujuva käivituse" tagamiseks, vähendades koormust, mis tekivad seadme käivitamisel kõrge pöördemomendiga. Süsteem aitab eelvalitud kiirust nii koormuseta kui koormusega töörežiimides peaaegu muutmata säilitada.

#### PÖÖRETE REGULAATOR

Teie tööriist on varustatud pöörete regulaatoriga. Töötamise ajal saab tööriista pööreid reguleerida, valides lülitiga ükskõik missuguse sobiva positsiooni.

Minitrelli pööreid juhitakse korpusel asuva valikulüliti reguleerimisega. JOONIS 12

#### Seaded, lähtuvalt ligikaudsest pöörete arvust

Lüliti positsioon	Pöörete arv
5	5.000 p/min.
10	10.000 p/min.
*15	15.000 p/min.
20	20.000 p/min.
25	25.000 p/min.
30	30.000 p/min.
35	35.000 p/min.

\* Kui töötate traatharjadega, siis ärge kasutage suuremat pöörete arvu kui 15 000 p/min.

Kasutatava materjali jaoks sobiva pöörete arvu ja tarviku leiate tabelist lk 4-7.

Enamikku töid saab teha maksimaalsetel pööretel. Mõned materjalid (teatud plastid ja metallid) võivad aga kõrgetel pööretel tekkiva kuumuse tõttu kahjustuda ja neid tuleks seetõttu töödelda madalamatel pööretel. Madalamad pöörded (15 000 p/min või vähem) sobivad üldjuhul poleerimiseks vildist poleerimistarvikutega. Harjadega töötlemisel tuleb samuti valida madalamad pöörded, et vältida harjaste ja traatide lahtitulekut. Ka madalamatel pööretel tuleks töötada liigse survega. Kõrgemad pöörded sobivad kõva puidu, metalli ja klaasi töötlemiseks, samuti puurimiseks, lõikamiseks, freesimiseks, vormimiseks ja soonte lõikamiseks puitu.

Mõned pöörete arvu kohta käivad soovitusused:

- Plaste ja teisi madalama sulamispunktiga materjale tuleks töödelda madalatel pööretel.
- Traatharjaga poleerida, peenlihvida ja puhastada tohib pööretel kuni 16 000 p/min, et vältida harja ja materjali kahjustumist.



- Lõiketöid puidus tuleb teha kõrgetel pööretel.
- Lõiketöid rauas ja terases tuleb teha kõrgetel pööretel.
- Asjaolu, et suure pöörete arvuga terasfrees hakkab vibreerima, näitab tavaliselt seda, et frees töötab liiga aeglaselt.
- Alumiiniumi, vase-, plii-, tsingsulameid ja tina võib sõltuvalt konkreetsest tööst töödelda erinevatel pööretel. Määrige lõiketarvikut parafiini või mõne muu sobiva määrdega (mitte veega), et vältida laastude kinnikleepumist tarviku lõikeservade külge.

**MÄRKUS.** Seadmele avaldatav suurem surve ei paranda töötulemust. Soovitud tulemuse saavutamiseks kasutage mõnda teist tarvikut või reguleerige pöörete arvu.

## HOOLDUS

Vigastuste ja/või ohtude ennetamiseks tohivad hooldus- ja parandustöid teha ainult volitatud isikud. Soovitame lasta hooldus- ja parandustöid teha üksnes Dremeli volitatud parandustöökojas. Et vältida juhusest sisselülitamisest põhjustatud vigastusi ja elektrilööke, tuleb seade enne hooldus- ja parandustööde teostamist alati välja lülitada.

## PUHASTAMINE



### ETTEVAATUST

ÕNNETUSTE VÄLTIMISEKS ÜHENDAGE TÖÖRIIST ENNE PUHASTAMIST ALATI

VOOLUVÖRGUST LAHTI. Kõige tõhusamaks puhastusmeetodiks on kuiva suruõhu kasutamine. Suruõhuga seadet puhastades kandke alati kaitseprille.

Ventilatsioonivad ja lülitushoovad tuleb hoida puhastena ja võrkehadeta. Ärge sisestage tööriista puhastamiseks selle avadesse teravaotsalisi esemeid.



### ETTEVAATUST

TEATUD PUHASTUSVAHENDID JA LAHUSTID KAHJUSTAVAD PLASTOSI.

Näiteks: bensiin, süsinik tetrakloriid, klooritud puhastuslahused, ammoniaak ja kodumajapidamises kasutatavad puhastusvahendid, mis sisaldavad ammoniaaki.

## HOOLDUS JA GARANTII



### ETTEVAATUST

SEE SEADE EI SISALDA KASUTAJA POOLT HOOLDATAVAID OSI. Volitamata isikute

poolt oskamatul teostatud ennetavad hooldustööd võivad põhjustada seadme juhtmestiku ja komponentide väärtalitus ja tekitada tõsised ohuolukordi. Hooldustööde teostamiseks on soovitatav pöörduda Dremeli teeninduskeskusse. **TEHNIKUTELE:** Enne seadme hooldamist ühendage tööriist ja/või laadimiseseade toiteallikast lahti.

DREMEL'i toodetega kaasnev garantii on kooskõlas seadusjõudu omavate / vastavas riigis kehtivate asjakohaste määrustega; garantii ei kata normaalset füüsilist kulumist ega kahjustusi, mis on tingitud ülekoormusest või seadme sobimatul viisil kasutamisest.

Kaebuste korral saatke tööriist või laadimiseseade *terviklikuna ja lahtimonteerimata* ning koos ostukviitungiga edasimüjale.

## DREMELI KONTAKTANDMED

Täiendavat teavet Dremeli tootevaliku, tugiteenuste ja infoliini kohta vt [www.dremel.com](http://www.dremel.com).

Dremel Europe, P.O. Box 3267, 4800 DG Breda, Holland

## ORIGINALIŲ INSTRUKCIJŲ VERTIMAS LT



### ⚠️ ĮSPĖJIMAS

PERSIKAITYKITE VISUS SAUGOS PERSPĖJIMUS IR

VISAS INSTRUKCIJAS. (PAV. 1)

*Jeigu nesilaikysite perspėjimų ir instrukcijų, tai gali sukelti elektros iškvėgą, ugnį ir / ar rimtų sužeidimų.*

**Visus perspėjimus ir instrukcijas išsaugokite atiečiai.**

*Terminas „elektrinis įrankis“ visuose toliau pateiktuose perspėjimuose reiškia maitinamą iš elektros lizdo (laidinį) arba akumuliatoriaus (belaidį) elektrinį įrankį.*

## DARBO VIETOS SAUGA




- Darbo vieta turi būti švari ir gerai apšviesta. *Netvarkingose ir neapšviestose vietose gali įvykti nelaimingas atsitikimas.*
- Elektrinių įrankių nenaudokite sprogioje aplinkoje. Pavyzdžiui ten, kur yra greitai užsiliepsnojančių skysčių, dujų arba dulkių. *Naudojant elektrinius įrankius, jie kibirkščiuoja, todėl dulkės arba susikaupę garai gali užsiliepsnoti.*
- Dirbdami su elektriniu įrankiu neleiskite prisitarti vaikams ir pašaliniamis asmenims. *Jeigu jūs dėmesys bus blaškomas, galite nebesuvaldyti įrankio.*

## ELEKTROSAUGA

- Elektrinio įrankio kištukai turi atitikti elektros lizdą. Draudžiama bet kokių būdu keisti kištuką. Dirbdami su įžemintais elektriniais įrankiais nenaudokite kištuku adapterių. *Elektros smūgio tikimybę sumažinsite naudodami nepakeistus kištukus ir juos atitinkančius lizdus.*
- Stenkitės nepisiliesti prie įžemintų paviršių, pavyzdžiui, vamzdžių, radiatorių, viryklių ar šaldytuvų. *Jeigu jūsų kūnas bus įžemintas, elektros smūgio tikimybė bus didesnė.*
- Saugokite elektrinius įrankius nuo lietaus ir drėgmės. *Jeigu į elektrinį įrankį pateks vandens, padidės elektros smūgio tikimybė.*
- Nenaudokite laido ne pagal paskirtį. Jokiu būdu elektrinio įrankio neneškite, netempkite ir iš lizdo netraukite už laido. Laidą saugokite nuo karščio, alyvos, aštrių briaunų ar judančių dalių. *Elektros smūgio tikimybė padidėja, jei naudojamas pažeistas arba susimazgęs laidas.*
- Jeigu elektrinį įrankį naudojate lauke, naudokite darbu lauke skirtą ilgintuvą. *Kai naudojamas darbu lauke skirtas laidas, sumažėja elektros smūgio tikimybė.*

- f. Jei su elektriniu įrankiu neišvengiamai reikia dirbti drėgnoje aplinkoje, naudokite įžeminimo grandinės pertraukiklį. *Naudojant įžeminimo grandinės pertraukiklį, sumažėja elektros smūgio pavojus.*

## ŽMONIŲ SAUGA

- a. Naudodami elektrinį įrankį būkite budrūs, stebėkite, ką darote, ir vadovaukitės sveiku protu. Elektrinio įrankio nenaudokite, jeigu esate pavargę, apsvaigę nuo narkotikų, alkoholio ar vaistų. *Tereikia tik akimirka nukreipti dėmesį dirbant su elektriniais įrankiais ir galite sunkiai susižeisti.*
- b.    Naudokite saugos priemones. Būtinai užsidėkite akių apsaugą. *Tokios saugos priemonės kaip kaukė nuo dulkių, batai neslidžiais padais, apsauginis šalmas ar klausos apsaugos priemonės, naudojamos atitinkamomis sąlygomis, sumažins traumų tikimybę. (2 + 3 + 4 PAV.)*
- c. Saugokitės, kad neįjungtumėte prietaiso netyčia. Prieš įjungdami į lizdą patikrinkite, ar jungiklis yra padėtyje "off". *Jeigu elektrinį įrankį nešite ant jungiklio uždėję pirštą arba bandysite įrankį prijungti prie elektros tinklo, kai jungiklis yra padėtyje "on", galite susižeisti.*
- d. Prieš įjungdami elektrinį įrankį, nuimkite visus reguliavimo raktus ir veržliarakčius. *Jeigu ant besisukančios elektrinio įrankio dalies bus paliktas uždėtas veržliaraktis arba raktas, galite susižeisti.*
- e. Nepervertinkite savo jėgų. *Visada stovėkite tvirtai ir išlaikykite pusiausvyrą. Taip galėsite geriau suvaldyti įrankį nenumatytose situacijose.*
- f. Vilkėkite tinkamą aprangą. *Nevilkėkite plačių drabužių ir papuošalų. Saugokitės, kad judančios dalys neprisiliestų prie plaukų, drabužių ar pirštinių. Plačius drabužius, papuošalus ar ligus plaukus gali įtraukti besisukančios dalys.*
- g. Jei yra numatyta galimybė prijungti dulkių nusiurbimo ar surinkimo įrenginius, visada įsitikinkite, ar jie yra prijungti ir ar tinkamai naudojami. *Naudojant dulkių nusiurbimo įrenginius sumažėja dulkių keliamas pavojus.*

## ELEKTRINIO ĮRANKIO NAUDOJIMAS IR PRIEŽIŪRA

- a. Neperkraukite prietaiso. Naudokite jūsų darbai tinkamą elektrinį įrankį. *Su tinkamu elektriniu įrankiu darbą atlikite geriau ir saugiau, jei naudosite jį gamintojo numatytoje galios diapazone.*
- b. Elektrinio įrankio nenaudokite, jei neveikia jungiklis. *Bet kuris elektrinis įrankis, kurio negalima valdyti jungikliu, yra pavojingas ir jį būtina remontuoti.*
- c. Prieš reguliuodami, keisdami priedus arba padėdami į šalį elektrinį įrankį, išjunkite kištuką iš elektros lizdo. *Šios prevencinės saugos priemonės sumažina netyčinio elektrinio įrankio įjungimo riziką.*
- d. Nenaudojamus elektrinius įrankius laikykite vaikams nepasiekiamoje vietoje, taip pat neleiskite asmenims, nemokantiems dirbti su elektriniu įrankiu arba nesusipažinusiems su šiomis instrukcijomis, naudotis elektriniu įrankiu. Elektriniai įrankiai yra pavojingi, kai juos naudoja neapmokyti asmenys.

- e. Prižiūrėkite elektrinius įrankius. Patikrinkite, ar judančios dalys nepasislinkusios arba neįstrigusios, ar nėra sulūžusių dalių ar kitų gedimų, kurie gali turėti įtakos elektrinio įrankio veikimui. Pastebėję gedimų, elektrinį įrankį sutvarkykite prieš naudodami. *Daugybė nelaimingų atsitikimų įvyksta dėl netvarkingų elektrinių įrankių.*
- f. Pjovimui skirti įrankiai turi būti aštrūs ir švarūs. *Jeigu pjovimo įrankiai su aštriomis pjaunamosiomis briaunomis tinkamai prižiūrimi, jie rečiau stringa ir juos lengviau valdyti.*
- g. Elektrinį įrankį, jo priedus, dalis ir pan. naudokite laikydamiesi šių instrukcijų ir pagal konkrečiam elektriniam įrankiui numatytą paskirtį, atsižvelgdami į darbo sąlygas ir atliekamą darbą. *Jeigu elektrinis įrankis naudojamas ne pagal paskirtį, gali susidaryti pavojinga situacija.*

**▲ ĮSPĖJIMAS** Nedirbkite su medžiagomis, kurių sudėtyje yra asbesto (asbestas laikomas kancerogeniška medžiaga).

**▲ ĮSPĖJIMAS** Imkitės apsaugos priemonių, kai darbo metu gali atsirasti sveikatai kenksmingų, lengvai užsidegančių ar sprogių dulkių (kai kurios dulksės laikomos kancerogeniškomis); dėvėkite kaukę nuo dulkių ir, jeigu galima prijungti, naudokite dulkių/pjuvenų ištraukimo įrangą.

## TECHNINIS APTARNAVIMAS

- a. Elektrinį įrankį turi remontuoti tik kvalifikuoti specialistai ir naudoti tik originalias atsargines dalis. *Taip galima garantuoti, jog elektrinis įrankis išliks saugus naudoti.*

## SAUGOS PERSPĖJIMAI YRA BENDRI ŠLIFAVIMO, ŠLIFAVIMO ŠVITRINIŲ POPIERIUMI, ŠLIFAVIMO VIELINIAIS ŠEPEČIAIS, POLIRAVIMO AR ABRAZYVINIO PJOVIMO DARBAMS

- a. Šį elektrinį prietaisą galima naudoti kaip šlifavimo mašiną, skirtą šlifuoti abrazyviniais diskais, šlifavimo popieriumi, vieliniais šepečiais, poliravimo mašiną bei pjaustymo mašiną. Griežtai laikykitės visų įspėjamųjų nuorodų, taisyklių, ženklų ir užrašų, kurie yra pateikiami su šiuo prietaisu, reikalavimų. *Jei nepaisysite toliau pateiktųjų nuorodų, gali kilti elektros smūgio, gaisro ir/arba sunkių sužalojimų pavojus.*
- b. Nenaudokite jokių priedų ir papildomos įrangos, kurių gamintojas nėra specialiai numatęs ir rekomendavęs šiam elektriniam prietaisui. *Vien tik tas faktas, kad Jūs galite pritvirtinti kokį nors priedą prie Jūsų elektrinio prietaiso, jokių būdu negarantuoja, kad juo bus saugu naudotis.*
- c. Naudojamų darbo įrankių maksimalus leistinas apsisukimų skaičius turi būti ne mažesnis, nei maksimalus sukčių skaičius, nurodytas ant elektrinio prietaiso. *Jei įrankis sukis greičiau, nei leistina, jis gali subyrėti.*
- d. Naudojamo darbo įrankio išorinis diametras ir storis turi atitikti nurodytuosius Jūsų elektrinio prietaiso parametrus. *Netinkamų matmenų įrankius gali būti sunku tinkamai apsaugoti bei valdyti.*

- e. Šlifavimo diskai, flanšai, šlifavimo žiedai ar kiti darbo įrankiai turi tiksliai tikti elektrinio prietaiso šlifavimo sukliui. *Darbo įrankiai, kurie netiksliai užsimauna ant šlifavimo suklio, sukasi netolygiai, labai stipriai vibruoja ir dėl to prietaisas gali tapti nevaldomas.*
- f. Nenaudokite pažeistų darbo įrankių. Prieš kiekvieną naudojimą patikrinkite tokius įrankius, kaip abrazyviniai diskai, ar jie nėra aplužinęję arba įtrūkę, šlifavimo žiedus - ar jie nėra įtrūkę, susidėvėję ar nudilę, vielinius šepetčius - ar jų vielutės nėra atsilaisvinę ar nutrūkę. Jei elektrinis prietaisas arba darbo įrankis nukrito iš didesnio aukščio, patikrinkite, ar jis nėra pažeistas, arba iš karto sumontuokite kitą - nepažeistą - darbo įrankį. Kuomet patikrintote ir sumontavote darbo įrankį, pasirūpinkite, kad nei Jūs, nei greta esantys asmenys nebūtų vienoje linijoje su besisukančiu darbo įrankiu, ir leiskite prietaisui vieną minutę veikti didžiausiais sukiais. *Jei darbo įrankis yra pažeistas, jis turėtų per šį bandymo laiką sulygti.*
- g. Naudokite individualias apsaugos priemones ir visuomet užsідėkite veido apsaugą ar apsauginius akinius. Jei nurodyta, užsідėkite nuo dulkių saugantį respiratorių, apsaugines ausines, apsaugines pirštines arba specialią prijuostę, kuri apsaugos jus nuo smulkių šlifavimo įrankio ir ruošinio dalelių. *Akys turi būti apsaugotos nuo aplinkui skraidančių svetimkūnių, atsirandančių atliekant įvairius darbus. Respiratorius turi išfiltruoti dirbant kylančias dulkes. Dėl ilgalaikio didelio triukšmo poveikio galite prarasti klausą.*
- h. Pasirūpinkite, kad kiti asmenys būtų saugiam atstume nuo Jūsų darbo zonos. Kiekvienas, kuri įžengia į darbo zoną, turi naudoti asmenines apsaugos priemones. *Ruošinio dalelės ar atskilę įrankio gabalėliai gali skrieti dideliu greičiu ir sužeisti asmenis, nes ir esančius už tiesioginės darbo zonos ribų.*
- i. Dirbdami ten, kur besisukantis įrankis galėtų klyduoti paslėptą laidą ar savo paties maitinimo laidą, laikykite prietaisą už izoliuotų rankenų. *Dėl kontakto su laidininku, kuriuo teka elektros srovė, metalinėse prietaiso dalyse atsiranda įtampa ir naudotojas gali gauti elektros smūgį.*
- j. Maitinimo kabelį laikykite toliau nuo besisukančių darbo įrankių. *Jei nesuvaldytumėte prietaiso, darbo įrankis gali perpjauti maitinimo kabelį arba jį įvynioti, tuomet jūsų plaštaka ar ranka gali pataikyti į besisukantį darbo įrankį.*
- k. Išjungę elektrinį prietaisą, niekuomet jo nepadėkite tol, kol darbo įrankis visiškai nesustos. *Besisukantis darbo įrankis gali prisiliesti prie paviršiaus, ant kurio padedate prietaisą, ir prietaisas gali tapti nevaldomas.*
- l. Nešdami prietaisą niekuomet jo neįjunkite. *Netyčia prisilietus prie besisukančio darbo įrankio, jis gali įvynioti drabužius ir Jus sužeisti.*
- m. Reguliariai valykite ventiliacines angas Jūsų prietaiso korpusė. *Variklio ventiliatorius siurbia dulkes į korpusę, ir, susikaupus daug metalo dulkių, gali kilti elektros smūgio pavojus.*
- n. Niekuomet nenaudokite elektrinio prietaiso arti lengvai užsidegančių medžiagų. *Kylančios kibirkštys gali jas uždegti.*
- o. Nenaudokite darbo įrankių, kuriuos reikia aušinti skysčiais. *Naudojant vandenį ar kitokius aušinimo skysčius gali kilti elektros smūgio pavojus.*

## ATATRANKOS JŪGOS IR SUSIJĘ ĮSPŪJIMAI

- Atatranka yra staigi reakcija, atsirandanti, kai besisukantis darbo įrankis, pvz., šlifavimo diskas, šlifavimo žiedas, vielinis šepetys ar kt., ruošinyje įstringa ar užsiblokuoja ir todėl netikėtai sustoja. Todėl elektrinis prietaisas gali nekontroliuojamai atsokėti nuo ruošinio priešinga darbo įrankio sukimuisi kryptimi. Pvz., jei ruošinyje įstringa ar yra užblokuojamas šlifavimo diskas, disko briauna, kuri yra ruošinyje, gali išlūžti ar sukelti atatranką. Tada šlifavimo diskas, priklausomai nuo jo sukimosi krypties blokavimo vietoje, pradeda judėti link dirbančiojo arba nuo jo. Tada šlifavimo diskas gali net nulūžti. Atatranka yra netinkamo elektrinio prietaiso naudojimo ar gedimo pasekmė. Jos galite išvengti, jei imsitės atitinkamų, žemiau išvardintų atsargumo priemonių.
- a. Tvirtai laikykite elektrinį įrankį. Jūsų kūno ir rankos padėtis turi būti tokia, kad galėtumėte priešintis atatrankos jėgoms. Jei yra papildoma rankena, visada ją naudokite, tada galėsite suvaldyti atatrankos jėgas bei įjungiant prietaisą atsirandanti reakcijos jėgų momentą. *Dirbantysis, jei imsis tinkamų atsargumo priemonių, gali suvaldyti reakcijos jėgas atatrankos metu.*
- b. Niekada nelaikykite rankos prie besisukančio priedo. *Priedo atatrankos smūgis gali kliūti rankai.*
- c. Stenkitės, kad jūsų kūnas nebūtų ten, kur esant atatrankai judėtų elektrinis įrankis. *Dėl atatrankos įrankis judės priešinga disko sukimosi užkliuvimo taske kryptimi.*
- d. Labai atidžiai šliuokite kampus, aštrius kraštus ir pan. Stenkitės, kad priedas nešokinėtų ir neužkliūtų. *Besisukantis priedas gali užkliūti už kampų, aštrių kraštų ar dėl šokinėjimo, todėl jūs galite prarasti įrankio kontrolę arba pajusti atatranką.*
- e. Nenaudokite pjovimo grandinių, skirtų medienai drožti ar kitokių dantytų diskų. *Tokie darbo įrankiai dažnai sukelia atatranką arba elektrinis prietaisas tampa nevaldomas.*

## SPECIALIOS ĮSPAJAMOSIOS NUORODOS ATLIEKANTIEMS ŠLIFAVIMO IR PJOVIMO DARBUS

- a. Naudokite tik tuos diskus, kurie rekomenduojami jūsų elektriniam įrankiui, ir specialią apsaugą, skirtą pasirinktam diskui. *Diskų, kurie nėra skirti šiam elektriniam įrankiui, uždengti apsauginiais įtaisais ir jie nėra saugūs.*
- b. Šlifavimo įrankius leidžiama naudoti tik pagal rekomenduojamą paskirtį. Pvz., niekada nešliuokite pjovimo disko šoniniu paviršiumi. *Pjovimo diskai yra skirti medžiagai pašalinti įpjaunamąja briauna. Nuo šoninės apkrovos šie šlifavimo įrankiai gali sulūžti.*
- c. Visada naudokite nepažeistas diskų junges, kurių dydis ir forma yra tinkama pasirinktam diskui. *Tinkamos disko jungės prilaiko diską ir taip sumažina disko sulūžimo tikimybę. Pjovimo diskų jungės gali skirtis nuo šlifavimo diskų jungių.*
- d. Nenaudokite sudilusių diskų, prieš tai naudotų su didesniais prietaisais. *Šlifavimo diskai, skirti didesniems elektriniams prietaisams, nėra pritaikyti dideliame mažųjų prietaisų išvystomam sukiių skaičiui ir gali sulūžti.*

## PAPILDOMOS SPECIALIOS ĮSPAJAMOSIOS NUORODOS ATLIEKANTIEMS PJOVIMO DARBUS

- a. Venkite užblokuoti pjovimo diską ir nespauskite jo per stipriai prie ruošinio. Nemėginkite atlikti pernelyg gilių pjūvių. *Per stipriai prispaudus pjovimo diską, padidėja jam tenkanti apkrova*

## TECHNINIAI DUOMENYS

### BENDRIEJI TECHNINIAI DUOMENYS

- ir atsiranda didesnė tikimybė jį pakreipti bei užblokuoti pjuvįje, vadinas padidėja atatranks ir disko lūžimo rizika.
- Stenkitės, kad jūsų kūnas nebūtų vienoje linijoje su besisukančiu disku – prieš jį ar už jo. Kai diskas plovimo taške juda tolyn nuo jūsų kūno, galima atatranka gali nusviesti besisukančią diską ir elektrinį įrankį tiesiai į jus.
  - Kai diskas įstringa arba plovimą reikia nutraukti dėl kitos priežasties, išjunkite elektrinį įrankį ir laikykite elektrinį įrankį jo nejudindami, kol diskas visiškai sustos. Nebandykite plovimo disko ištraukti iš įpjovos, kai diskas sukasi, nes gali atsirasti atatranka. *Ivertinkite, kodėl diskas įstringa, ir imkitės atitinkamų priemonių strigimui išvengti.*
  - Nepradėkite pjauti, kai diskas yra apdirbamame ruošinyje. Palaukite, kol diskas pradės sukintis reikiamu greičiu, ir tada vėl atsargiai įstatykite jį į pjovą. *Jeigu elektrinis įrankis bus jungiamas, kai diskas yra įpjovoje, diskas gali įstrigti, iššokti arba atsirasti atatranka.*
  - Prišaukite plokštes ir kitus didelius apdirbamus gaminius, nes tai sumažins disko užkliuvimo arba atatranks tikimybę. *Dideli apdirbami gaminiai nuo savo svorio gali įlįkti. Atramos turi būti dedamos po apdirbamu gaminiu prie plovimo linijos ir apdirbamo gaminio krašto iš abiejų disko šonų.*
  - Ypač atsargiai darykite išpjavimus esamose sienose ar kitose aklinoose vietose. *Išsikūšęs diskas gali nupjauti dujų arba vandens vamzdžius, elektros laidus arba objektus, dėl kurių gali atsirasti atatranka.*

### SPECIALIOS ĮSPAJAMOSIOS NUORODOS DIRBANTIEMS SU VIELINIAIS ŠEPEČIAIS

- Nepamirškite, kad net ir naudojant įprastai, nuo šepėčio byra vielos šereliai. Per stipriai nespaukite šepėčio. *Vielos šereliai gali nesunkiai pralįsti pro plonus drabužius ir (arba) įsmigti į odą.*
- Jeigu vielinį šepetį rekomenduojama naudoti su apsauga, patikrinkite, kad apsauga nesiliestų prie vielinio disko arba šepėčio. *Dėl darbinės apkrovos ir išcentrinų jėgų gali padidėti vielinio disko arba šepėčio skersmuo.*
- Naudodami vielinius šepėčius neviršykite 15,000 aps./min.

## APLINKA

### UTILIZAVIMAS


Įrenginys, jo priedai ir pakuotė turi būti rūšiuojami ir atiduodami ekologiniam perdirbimui.

### TIK ES VALSTYBĖMS NARĖMS



Elektrinių įrankių neišmeskite kartu su buitinėmis šiukšlėmis!

Remiantis ES direktyva 2002/96/EB dėl elektros ir elektroninės įrangos atliekų ir jos perkėlimu į nacionalinę teisę, nebetinkami naudoti elektriniai įrankiai turi būti surenkami atskirai ir utilizuojami aplinkai nekenksmingu būdu.

Nominali įtampa . . . . .	230-240 V, 50-60 Hz
Nominali energija . . . . .	175 W
Nominalus greitis (n) . . . .	35.000 aps./min.
Įvorės skersmuo . . . . .	0,8 mm, 1,6 mm, 2,4 mm, 3,2 mm
 II klasės konstrukcija . .	Dvigubai izoliuotos konstrukcijos įrankiai (5 PAV)

### ILGINAMIEJI LAIDAI

Naudokite visiškai išvyniotus ir saugius ilginamuosius laidus, skirtus 5 A stiprumo srovei.

## SURINKIMAS

PRIEŠ KEISDAMI PRIEDUS, SUSPAUDŽIAMASIAS ĮVORES AR PRIEŠ PRADĖDAMI PRIETAISO TECHNINĖS PRIEŽIŪROS DARBUS, VISADA JĮ IŠJUNKITE IŠ ELEKTROS TINKLO.

### BENDROJI DALIS

"Dremel" daugiafunkcinis įrankis – tai aukštos kokybės tikslus įrankis, kurį galima naudoti detaliam ir sudėtingam darbiui atlikti. Platus "Dremel" priedų ir antgalių asortimentas jums leidžia daryti pačius įvairiausius darbus. Galite šlifuoti švitrinu popieriui, raižyti ir graviruoti bei frezuoti, pjauti, valyti ir poliuruoti.

6 PAV.

- Suklio fiksavimo mygtukas
- Jungiklis (On/Off)
- Įvairaus greičio nustatymo ratukas
- Laidas
- Įtaisas įrankiui pakabinti
- Vėdinimo angos
- Suspaudžiamosios įvorės raktas
- Ašis
- Korpuso gaubtas
- Prispaudžiamoji veržlė
- Suspaudžiamoji įvorė

### SUSPAUDŽIAMOSIOS ĮVORĖS

„Dremel“ daugiafunkcinio įrankio priedų koteliai yra skirtingo skersmens. Šiems skirtingiems skersmenims skirtos keturios suspaudžiamosios įvorės. Suspaudžiamosios įvorės dydį galima atpažinti pagal žiedus ant suspaudžiamosios įvorės atvirščios pusės.

7 PAV.

- Prispaudžiamoji veržlė
- 3,2 mm įvorė be žiedo (480)
- 2,4 mm įvorė su trimis žiedais (481)
- 1,6 mm įvorė su dviem žiedais (482)
- 0,8 mm įvorė su vienu žiedu (483)
- Identifikavimo žiedai

## NAUDOJIMAS

*PASTABA: kai kuriuose daugiafunkcinio įrankio rinkiniuose gali nebūti visų keturių suspaudžiamųjų įvorių. Suspaudžiamąsias įvorus galima įsigyti atskirai.*

Visada naudokite priedo kotelio skersmeniui tinkančią suspaudžiamąją įvorę. Niekada nekiškite jėga didelio skersmens kotelio į mažesnę suspaudžiamąją įvorę.

## ĮVORIŲ KEITIMAS

8 PAV.

- A. Suspaudžiamosios įvorės raktas
- B. Suklio fiksavimo mygtukas
- C. Prispaudžiamoji veržlė
- D. Atleisti
- E. Užveržti

1. Pastumkite suklio fiksavimo mygtuką į priekį, nuspauskite ir sukite suklij ranka, kol jis užsifiksuos. Suklio fiksavimo mygtuko nespauskite, kai daugiafunkcinis įrankis veikia.
2. Laikydami suklio fiksavimo mygtuką nuspausta, atlaisvinkite ir nuimkite prispaudžiamąją veržlę. Jeigu reikia, naudokite įvorės raktą.
3. Įvorę nuimkite nuo suklio.
4. Reikiamo dydžio įvorę visiškai įstatykite į suklij ir lengvai užveržkite prispaudžiamąją veržlę. Niekada visiškai stipriai neužveržkite veržlės, jei neįstatytas joks priedas ar antgalis.

## PRIEDŲ KEITIMAS

8 PAV.

1. *Pastumkite suklio fiksavimo mygtuką į priekį, nuspauskite ir sukite suklij ranka, kol jis užsifiksuos. Suklio fiksavimo mygtuko nespauskite, kai daugiafunkcinis įrankis veikia.*
2. Laikydami suklio fiksavimo mygtuką nuspausta, atlaisvinkite (bet nenuimkite) prispaudžiamąją veržlę. Jeigu reikia, naudokite įvorės raktą.
3. Priedo arba antgalio kotelį visiškai įstatykite į įvorę.
4. Laikykite nuspaudę suklio fiksavimo mygtuką ir sukite prispaudžiamąją veržlę pirštais tol, kol suspaudžiamoji įvorė sugriebs priedo kotelį. *PASTABA: būtinai perskaitykite su "Dremel" priedais pateikiamas instrukcijas, kuriose pateikiama daugiau informacijos apie jų naudojimą.*

Naudokite tik "Dremel" išbandytus kokybiškus priedus.

## PRIEDŲ BALANSAVIMAS

Kad darbas būtų preciziškas, svarbu, jog visi priedai būtų gerai subalansuoti (visai kaip jūsų automobilio padangos). Norėdami tinkamai sureguliuoti ar subalansuoti priedą, šiek tiek atlaisvinkite įvorės veržlę ir pasukite priedą arba įvorę 1/4. Vėl užveržkite įvorę ir paleiskite sukimosi įrankį veikti. Tai, ar jūsų priedas yra subalansuotas, turėtumėte suprasti pagal garsą ir pojūčius. Tęskite nustatymus tuo pačiu būdu, kol subalansuosite maksimaliai gerai.

Prieš pradėdami naudoti universalų rotacinį įrankį, jūs privalote jį „pajusti“. Paimkite įrankį į ranką ir pajuskite jo svorį ir svorio centrą. Atkreipkite dėmesį į korpuso smailėjimą, dėl kurio įrankį galima laikyti kaip automatinį plunksnakotį arba pieštuką. *Įrankį laikykite visada nukreipę nuo veido. Priedai gali būti pažeisti ir atskiros jų dalys dėl didelio sukij skaičiaus gali lėkti į šalis. Įrankį laikykite taip, kad ranka neuždengtumėte ventiliacinių angų. Uždengus ventiliacines angas gali perkaišti variklis.* SVARBU! Iš pradžių pasitreniruokite su medžiagos gabalėliu ir pasižiūrėkite, kaip įrankis veikia dideliu greičiu. Nepamirškite, kad daugiafunkcinis įrankis duos geriausių rezultatų, jeigu leisite jo greičiui, o taip pat ir tinkamam „Dremel“ priedui bei antgaliai, darbą padaryti už jus. Jeigu galite, įrankio dirbdami nespauskite. Vietoj to, besiuskanti priedą atsargiai priartinkite prie ruošinio paviršiaus ir leiskite jam prisiliesti ten, kur norėtumėte pradėti. Susikaupkite ir įrankį vedžiokite po darbinį plotą kuo mažiau spausdami ranka. Leiskite priedui dirbti už jus. Paprastai rekomenduojama norimą veiksmą įrankiu atlikti per kelis kartus, o ne viską baigti vienu prisilietimu. Lengvais prisilietimais užtikrinama didžiausia kontrolė bei sumažinama klaidos tikimybė.

## ĮRANKIO LAIKYMAS

Tikslius darbus geriausiai atliksite, jei daugiafunkcinį įrankį laikysite tarp nykščio ir smiliaus kaip pieštuką. 9 PAV. Įrankis kaip golfo lazda laikomas tada, kai reikia atlikti grubesnius darbus, pavyzdžiui, šlifuoti arba pjauti. 10 PAV.

### Antgalis

Atlikti preciziškas užduotis pateikiamas atskiras antgalis. Jo triskiautė forma leidžia naudotojui patogiai sugnybti antgalį nykščiu ir smiliumi. Antgalio aptakii forma puikiai tinka atlikti detalius graviravimo, raizybos ir graviūros darbus. Šis antgalis yra ne visuose rinkiniuose. 11 PAV.

## DARBINIS GREITIS

Kad kiekvienam darbiui pasirinktumėte reikiamą greitį, pasipraktikuokite su atitinkamos medžiagos pavyzdžiu.

### SLINKITE ĮJUNGIMO / IŠJUNGIMO JUNGTIUKU

Įrankis yra ĮJUNGIAMAS slenkamuojų jungtuku – jis yra viršutinėje variklio korpuso dalyje.

KAD ĮRANKĮ ĮJUNGUMĖTE, slinkite jungtuku į priekį.

KAD ĮRANKĮ IŠJUNGUMĖTE, slinkite jungtuku atgal.

### DIDELĖS GALIOS VARIKLIS

Jūsų įrankis teikiamas su didelės galios varikliu. Varydamas papildomas „Dremel“ priedus, šis variklis užtikrina sukimosi įrankio universalumą

### ELEKTRONINIS GRĮŽTAMASIS RYŠYS

Jūsų įrankis teikiamas su vidine elektroninio grįžtamojo ryšio sistema, dėl kurios užvedimas būna „minkštas“, nes sumažinama

## PRIEŽIŪRA

virpesiai, atsirandantys esant didelėms apsuksomis. Sistema taip pat padeda palankyti iš esmės pastovų iš anksto pasirinktą greitį apkrovos ir veikimo be apkrovos sąlygomis.

### ĮVAIRIAUS GREIČIO NUSTATYMO RATUKAS

Jūsų įrankyje yra įvairaus greičio nustatymo ratukas. Greitis gali būti nustatomas veikimo metu nustačius šį ratuką ties vienu ar ties kuriais dviem nustatymais.

Sukimosi įrankio greitis valdomas nustačius šį ant korpuso esantį sukimosi ratuką. 12 PAV.

### Apytiksliai sukimosi nustatymai

Jungtuko nustatymas	Greičio diapazonas
5	5.000 aps./min.
10	10.000 aps./min.
*15	15.000 aps./min.
20	20.000 aps./min.
25	25.000 aps./min.
30	30.000 aps./min.
35	35.000 aps./min.

\* Naudodami vielinius šepetčius neviršykite 15.000 aps./min.

Naudojamus priedus ir medžiagas atitinkantį optimalų sukijų skaičių galite nustatyti pagal 4-7 puslapyje pateikiamą diagramą.

Daugumą užduočių galima atlikti pasirinkus aukščiausią sukijų skaičiaus pakopą. Kai kurios medžiagos (tam tikri plastikai ir metalai) gali būti pažeistos karščio, susidarancio dėl didelio sukijų skaičiaus, ir todėl privalo būti apdirbami tik naudojant žemus sukčius. Mažas sukijų skaičius (15 000 min<sup>-1</sup> ir mažiau) geriausiai tinka poliruoti su veltiniu poliravimo priedu. Maži sukijų skaičiai yra reikalingi naudojant šepetčius, kad iš laikiklio neiškristų vielos ir seriai. Net ir esant nedideliams sukčiams privalote nespausti įrankio. Didesni sukčiai tinka kietai medienai, metalui ir stiklui, taip pat gręžti, pjaustyti, drožinėti, frezuoti, formuoti, pjauti griovelius medienoje.

Keletas rekomendacijų dėl įrankio greičio:

- Plastikas ir kitos medžiagos, kurios lydosi žemoje temperatūroje, turėtų būti pjaunamos pasirinkus mažesnę greitį.
- Poliravimas, šlifavimas ir valymas vieliniu šepetčiu turi būti atliekamas ne didesniu kaip 15 000 min<sup>-1</sup> greičiu, kad nebūtų sugadintas šepetys ir apdirbama medžiaga.
- Medieną reikėtų pjauti pasirinkus didelį greitį.
- Geležį arba plieną reikėtų pjauti pasirinkus didelį greitį.
- Jei iš greitapjovio plieno pagaminta freza pradeda vibruoti, dažniausiai tai rodo, kad ji per lėtai sukasi.
- Aliuminį, vario lydinius, švino lydinius, cinko lydinius ir skardą galima pjauti pasirinkus įvairius greičius priklausomai nuo pjovimo būdo. Patepkite pjovimo įrankį parafinu arba kita tinkama tepimi medžiaga (ne vandeniu), kad drožlės neprikibytų prie pjovimo įrankio ašmenų.

**PASTABA:** jeigu įrankis veikia netinkamai, jėgos naudojimas problemos neišspręs. Pabandykite naudoti kitą priedą arba pasirinkite kitą greitį norimam rezultatui pasiekti.

*Jei techninę priežiūrą ir profilaktiką atliks neįgaloti asmenys, jie gali neteisingai sujungti vidinius laidus ar kitus prietaiso komponentus, todėl gali kilti rimtas pavojus. Mes rekomenduojame techninę priežiūrą ir remonto darbus atlikti "Dremel" klientų aptarnavimo skyriuose. Dėl saugumo kiekvieną kartą prieš pradėdami techninės priežiūros ir valymo darbus, ištraukite kištuką iš tinklo.*

## VALYMAS

**▲ ĮSPĖJIMAS** KAD IŠVENGTUMĖTE NELAIMINGO ATSIDIKIMO, VISUOMET ATJUNKITE ĮRANKĮ IR/ARBA ĮKROVIKŲ NUO MAITINIMO ŠALTINIO IR TIK TADA JĮ VALYKITE. Įrankį efektyviausia valyti suspaustu sausu oru. Valydami įrankį suspaustu sausu oru visuomet dėvėkite apsauginius akinius.

Vėdinimo angos ir jungiklio svirtelės turi būti švarios ir neapkibusios jokiomis medžiagomis. Nebandykite valyti įrankio per angas kišdami įvairius aštrius daiktus.

**▲ ĮSPĖJIMAS** KAI KURIE VALYMO SKYSČIAI IR TIRPIKLIAI PAŽEIDŽIA PLASTIKINES DALIS. Tai yra: dyzelinas, anglies tetrachloridas, choloro tirpikliai, amoniakas ir būtinaia skysčiai su amoniaku.

## APTARNAVIMAS IR GARANTIJA

**▲ ĮSPĖJIMAS** VIDUJE NĖRA NAUDOTOJO TAISOMŲ DETALIŲ. Jei įrankis bus taisomas paties naudotojo, o ne kvalifikuoto darbuotojo, gali būti pažeisti vidiniai laidai ir komponentai, dėl to žmogus gali rimtai susižeisti. *Rekomenduojame įrankį perduoti remontuoti „Dremel“ aptarnavimo centrui. PERDAVIMAS CENTRUI: Atjunkite įrankį ir/ arba įkroviklį nuo maitinimo šaltinio.*

Šiam DREMEL gaminiui suteikiama garantija atitinka šalys galiojančius įstatymus/reikalavimus; Garantija netaikoma gedimams, atsiradusiems dėl įrenginio natūralaus susidėvėjimo, taip pat dėl perkrovų arba jo netinkamo naudojimo.

Reklamacijos atveju siųskite *neišardytą* įrankį su atitinkamu pirkimą patvirtinančiu dokumentu savo pardavėjui.

## SUSISIEKITE SU DREMEL

Norėdami sužinoti daugiau informacijos apie „Dremel“, apsilankykite tinklalapyje [www.dremel.com](http://www.dremel.com).

Dremel Europe, P.O. Box 3267, 4800 DG Breda, Nyderlandai

# SĀKOTNĒJO NORĀDĪJUMU TULKOJUMS

## PERSONĪGĀ DROŠĪBA

LV



### UZMANĪBU IZLASIET VISUS BRĪDINĀJUMUS UN

#### NORĀDĪJUMUS PAR DROŠĪBU. (ATTĒLS 1)

Neievērojot šos brīdinājumus un norādījumus, var izraisīt elektrošoku, ugunsgrēku un/vai nopietnus ievainojumus.

**Saglabājiet visus brīdinājumus un norādījumus turpmākai lietošanai.**




Ar terminu "elektriskais instruments" brīdinājumos domāti ar elektrību darbināmi elektriskie instrumenti (ar vadu) vai ar akumulatoru darbināmi (bezvadu) elektriskie instrumenti.

## DROŠĪBA DARBA VIETĀ

- Sekojiot, lai darba vieta būtu tīra un labi apgaismota. *Nekārtīgā darba vietā un sliktā apgaismojumā var viegli notikt nelaimes gadījums.*
- Nelietojiet elektroinstrumentu sprādzienbīstamu vai ugunsnedrošu vieta tuvumā un vietās ar paaugstinātu gāzes vai putekļu saturu gaisā. *Elektroinstrumenti darba laikā nedaudz dzirksteļo, un tas var izsaukt viegli degošu putekļu vai tvaiku aizdegšanos.*
- Lietojot elektroinstrumentu, neļaujiet bērniem un citām nepiederošām personām tuvoties darba vietai. *Citu personu klātbūtne var novērst uzmanību, kā rezultātā jūs varat zaudēt kontroli pār elektroinstrumentu.*

## ELEKTRODROŠĪBA

- Elektroinstrumenta kontaktakšai jābūt piemērotai elektrotīkla kontaktlīdzīgai. Kontaktakšas konstrukciju nedrīkst nekādā veidā mainīt. Nelietojiet kontaktakšas salāgotājus, ja elektroinstruments caur elektrisko vadu tiek savienots ar aizsargzņēmuma ķēdi. *Neizmainītas konstrukcijas kontaktakšas, kas piemērotas kontaktlīdzīgai, ļauj samazināt elektriskā trieciena saņemšanas risku.*
- Darba laikā nepieskarieties saņemiet priekšmetiem, piemēram, caurulēm, radiatoriem, plītim vai ledusskapjiem. *Jermeņa daļām pieskaroties saņemēt virsmām, pieaug risks saņemt elektrisko triecienu.*
- Nelietojiet elektroinstrumentu lietus laikā, neturiet to mitrumā. *Mitrumam iekļūstot instrumentā, pieaug risks saņemt elektrisko triecienu.*
- Nenoslogojiet elektrisko vadu. Nelietojiet elektrisko vadu elektroinstrumenta pārnesšanai un piekāršanai, neraujiet aiz tā, ja vēlaties atvienot elektroinstrumentu no elektrotīkla kontaktlīdzīgas. *Sargājiet elektrisko vadu no karstuma, eļļas, asām šķautnēm un elektroinstrumenta kustīgajām daļām. Bojāts vai samezģojies elektriskais vads paaugstina elektriskā triecienu risku.*
- Darbinot elektroinstrumentu ārpus telpām, izmantojiet pagarinātājkabeļus, kas ir piemēroti lietošanai ārpus telpām. *Lietojot pagarinātājkabeļi, kas piemēroti darbam ārpus telpām, samazinās risks saņemt elektrisko triecienu.*
- Ja elektroinstrumentu tomēr nepieciešams lietot vietās ar paaugstinātu mitrumu, izmantojiet tā pievienošanai noplūdes strāvas aizsargreleju. *Lietojot noplūdes strāvas aizsargreleju, samazinās risks saņemt elektrisko triecienu.*

- Strādājot ar elektroinstrumentu, saglabājiet paškontroli un rīkojieties saskaņā ar veselo saprātu. Pārtrauciet darbu, ja jūtaties noguris vai atrodaties alkohola, narkotiku vai medikamentu izraisītā reibumā. *Strādājot ar elektroinstrumentu, pat viens neuzmanības mirklis var būt pār cēloni nopietnam savainojumam.*
-    Izmantojiet individuālos darba aizsardzības līdzekļus. Darba laikā vienmēr nēsājiet aizsargbrilles. *Tādu darba aizsardzības līdzekļu, kā putekļu aizsargmaskas, neslidošu apavu un aizsargķiveres vai ausu aizsargu pielietošana atbilstoši elektroinstrumenta tipam un veicamā darba raksturam ļauj izvairīties no savainojumiem. (ATTĒLS 2 + 3 + 4)*
- Nepieļaujiet elektroinstrumenta patvaļīgu ieslēgšanos. Pirms elektroinstrumenta pievienošanas elektrotīklam pārliedzieties, ka tā slēdzis atrodas stāvoklī "Izslēgts". *Pārsētot elektroinstrumentu ar pirkstu uz slēdža vai pievienojot ieslēgt elektroinstrumentu elektrotīklam, viegli var notikt nelaimes gadījums.*
- Pirms elektroinstrumenta ieslēgšanas neaizmirstiet izņemt no tā regulējošos instrumentus vai atslēgas. *Patronatslēga vai skrūvjatslēga, kas elektroinstrumenta ieslēgšanas brīdī ir ievietota tā rotējošajās daļās, var radīt savainojumu.*
- Strādājot ar elektroinstrumentu, ieturiet stingru stāju. *Darba laikā vienmēr saglabājiet līdzsvaru un centieties nepaslidēt. Tas atvieglo elektroinstrumenta vadīšanu neparedzētās situācijās.*
- Izvēlieties darbam piemērotu apģērbu. *Darba laikā nenēsājiet brīvi plandošas drēbes un rotaslietas. Sargājiet matus, apģērbu un aizsargcimdus no elektroinstrumenta kustīgajām daļām. Tajās var iekerties vaļiņas drēbes, rotaslietas un garī mati.*
- Ja elektroinstrumenta konstrukcija ļauj tam pievienot ārējo putekļu uzsūkšanas vai savākšanas/uzkrāšanas ierīci, sekojiet, lai šāda ierīce tiktu pievienota un pareizi darbotos. *Pielietojot minētās ierīces, samazinās putekļu kaitīgā ietekme uz lietotāja veselību.*

## ELEKTROINSTRUMENTA LIETOŠANA UN APKOPE

- Nepārslogojiet elektroinstrumentu. Katram darbam izvēlieties piemērotu elektroinstrumentu. *Elektroinstruments darbojas labāk un drošāk pie nominālās slodzes.*
- Nelietojiet elektroinstrumentu, ja ir bojāts tā slēdzis. *Elektroinstruments, ko nevar ieslēgt un izslēgt, ir bīstams lietošanai, un to nepieciešams remontēt.*
- Pirms regulēšanas, darbinstrumenta nomaigāšanas vai novietošanas uzglabāšanai atvienojiet elektroinstrumentu no elektrotīkla. *Šāds drošības pasākums ļauj samazināt elektroinstrumenta nejuaus ieslēgšanās risku.*
- Elektroinstrumentu, kas netiek darbināts, uzglabājiet vietā, kur tas nav sasniedzams bērniem un personām, kuras neprot rīkoties ar instrumentu vai nav iepazinušās ar šo lietošanas pamācību. *Elektroinstrumenti nekompetentu personu rokās ir bīstami.*

- e. Rūpīgi veiciet elektroinstrumenta apkalpošanu. Pārbaudiet, vai kustīgās daļas ir labi salāgotas un nav iespīlētas, vai kāda no daļām nav bojāta un vai nepastāv kādi citi apstākļi, kas varētu ietekmēt elektroinstrumenta normālu darbību. Atklājot bojājumus, pirms elektroinstrumenta lietošanas nodrošiniet tam vajadzīgo remontu. *Daudzi nelaimes gadījumi cēlonis ir elektroinstrumenta nepietiekama apkalpošana.*
- f. Savlaicīgi notīriet un uzasiniet griezošos darbinstrumentus. *Rūpīgi kopī darbinstrumenti ar asām griezējš/kautnēm retāk iestrēgst un ļauj vieglāk vadīt elektroinstrumentu.*
- g. Lietojiet elektroinstrumentu, papildpiederumus, darbinstrumentus utt. atbilstoši šeit sniegtajiem norādījumiem un attiecīgajam elektroinstrumentam paredzētajā veidā, ņemot vērā apstākļus un veicamā darba raksturu. *Elektroinstrumenta lietošana mērķiem, kuriem tas nav paredzēts, ir bīstama un var novest pie neparedzamām sekām.*

**UZMANĪBU** Neapstrādājiet materiālus, kas satur azbestu (azbests tiek uzskatīts par vēža izraisītāju).

**UZMANĪBU** Ja darba gaitā var izdalīties veselībai kaitīgi, ugunsnedroši vai sprādzienbīstami putekļi (dažu materiālu putekļi var izraisīt vēzi), nēsājiet putekļu aizsargmasku un pielietojiet putekļu/skaidu uzsūkšanu, ja elektroinstrumenta konstrukcija ļauj tam pievienot vakuumuzsūkšanas ierīci.

## APKALPOŠANA

- a. Nodrošiniet, lai elektroinstrumenta apkalpošanu veiktu kvalificēts personāls, nomainīti izmantojot vienīgi identiskas rezerves daļas. *Tas ļauj saglabāt nepieciešamo darba drošības līmeni, strādājot ar elektroinstrumentu.*

## DROŠĪBAS BRĪDINĀJUMI, KAS JĀŅEM VĒRĀ ĢAN SMALCINOT, SLĪPĒJOT, SKRĀPĒJOT, ĢAN PULĒJOT UN GRIEZĢOT AR ABRAZĪVIEM

- a. Šis elektroinstrumenti ir lietojami kā slīpmašīna, kas piemērota arī slīpēšanai ar smilšpapīra loksni, darbam ar stieple sūku, pulēšanai un griešanai. Ņemiet vērā visas elektroinstrumentam pievienotās instrukcijas, norādījumus, attēlus un citu informāciju. *Turpmāk sniegto norādījumu neievērošana var kļūt par cēloni elektriskajam triecienam, ugunsgrēkam un/vai smagam savainojumam.*
- b. Neizmantojiet piederumus, kurus rašotāfirma nav paredzējusi šim elektroinstrumentam un ieteikusi lietošanai kopā ar to. *Iespēja nostiprināt piederumu uz elektroinstrumenta vēl negarantē tā drošu lietošanu.*
- c. Darbinstrumentu pieļaujama griešanās ātrums jābūt ne mazākam par elektroinstrumenta maksimālo griešanās ātrumu. *Piederumi, kas griešas ātrāk, nekā tas ir pieļaujams, var tikt bojāti.*
- d. Darbinstrumentu ārējam diametram un biežumam jāatbilst elektroinstrumenta konstrukcijai un izmēriem. *Ja darbinstrumenta izmēri ir izvēlēti nepareizi, tas pilnībā nenovietojas zem aizsarga un darba laikā apgrūrina instrumenta vadību.*
- e. Slīpēšanas diskam, balstaplāksnei, slīpēšanas pamatnei vai citšiem darbinstrumentiem precīzi jānovietojas uz elektroinstrumenta darbvārpstas. *Darbinstrumenti, kas precīzi neatbilst elektroinstrumenta darbvārpstas konstrukcijai, nevienmērīgi griešas, ļoti spēcīgi vibrē un var būt par cēloni kontroles zaudēšanai pār instrumentu.*
- f. Neizmantojiet bojātus darbinstrumentus. Ik reizi pirms darbinstrumentu lietošanas pārbaudiet, vai tie nav bojāti, piemēram, vai slīpēšanas diski nav atslāņojušies vai ieplaisājuši, vai slīpēšanas pamatnē nav vērojamas plaisas un vai stieple sūku veidojošās stieples nav vaļīgas vai atlūzušas. Ja elektroinstrumenti vai daršinstrumenti ir kritis no zināma augstuma, pārbaudiet, vai tas nav bojāts, vai arī izmantojiet darbam nebojātu darbinstrumentu. Pēc darbinstrumenta apskates un iestiprināšanas ļaujiet elektroinstrumentam darboties ar maksimālo griešanās ātrumu vienu minūti ilšgi, turot rotējošo darbinstrumentu drošā attālumā no sevis un citām tuvumā esošajām personām. *Bojātie darbinstrumenti šādas pārbaudes laikā parasti salūst.*
- g. Lietojiet individuālos darba aizsardzības līdzekļus. Atkarībā no veicamā darba rakstura izvēlieties pilnu sejas aizsargu, noslēdzošās aizsargbrilles vai parastās aizsargbrilles. Lai aizsargātos no lidojošajām slīpēšanas darbinstrumenta un apstrādājamā materiāla daļiņām, pēc vajadzības lietojiet putekļu aizsargmasku, ausu aizsargus un aizsargcimds vai arī īpašu priekšautu. *Lietotāja acis jāpasargā no lidojošajiem svešiermeņiem, kas daškārt rodas darba gaitā. Putekļu aizsargmaskai vai respiratoram jāpasargā lietotāja elšpošanas ceļi no putekļiem, kas veidojas darba laikā. Ilgstoši iedarbojotšies stipram troksnim, var rasties paliekoši dzirdes traucējumi.*
- h. Sekojiet, lai citas personas atrastos drošā attālumā no darba vietšas. Ikvienam, kas atrodas darba vietas tuvumā, jālieto individuālie darba aizsardzības līdzekļi. *Apstrādājamā priekšmeta atlūzas vai salūzuša darbinstrumenta daļas var lidot ar ievērojamu ātrumu un nodarīt kaitējumu cilvēku veselībai arī zināmā attālumā no darba vietas.*
- i. Veicot darbu apstākļos, kad darbinstrumenti var skart slēptu elektropārvades līniju vai paša instrumenta elektrokabēli, turiet instrumentu tikai ar izolētajiem rokturiem. *Darbinstrumentam skarot spriegumu nesošus vadus, šis spriegums nonāk arī uz instrumenta strāvu vadošajām daļām un var būt par cēloni elektriskajam triecienam.*
- j. Nevieniet rotējošo darbinstrumentu elektrokabēlim. *Zūdot kontroļšlei pār instrumentu, darbinstruments var pārgriezt kabēli vai ieieries tajā, kā rezultātā lietotāja roka var saskarties ar rotējošo darbinstrumentu.*
- k. Nenovietojiet elektroinstrumentu, kamēr tajā iestiprinātais darbinstruments nav pilnīgi apstājies. *Rotējošais darbinstruments var skart atbalsta virsmu, kā rezultātā elektroinstrumenti var kļūt nevadāms.*
- l. Nedarbiniēt elektroinstrumentu laikā, kad tas tiek pārņemts. *Lietotāja apšērbs vai mati var nejauši nonākt saskarē ar rotējošo darbinstrumentu un ieieries tajā, izsaukot darbinstrumenta saskaršanos ar liešotāja iermeņi.*
- m. Regulāri tīriet elektroinstrumenta ventilācijas atveres. *Dzinēju venštilējošā gaisa plūsma ievēk putekļus instrumenta*



korpusā, bet liela metāla putekļu daudzuma uzkrāšanās var būt par cēloni elektrotraumai.

- n. Nelietojiet elektroinstrumentu ugunsnedrošu materiālu tuvumā. *Lidojošās dzirksteles var izsaukt šādu materiālu aizdegšanos.*
- o. Nelietojiet darbinstrumentus, kuriem jāpievada dzesējošais šīdšrums. *Ūdens vai citu šīdro dzesēšanas līdzekļu izmantošana var būt par cēloni elektriskajam triecienam.*

---

## ATSITIENS UN AR TO SAISTĪTIE NORĀDĪJUMI

Atsitiens ir specifiska elektroinstrumenta reakcija, pēkšņi aizķeroties vai iestrēgstot rotējošam darbinstrumentam, piemēram, abrazīvajam diskam, slīpēšanas pamatnei, stieplu sukai vai citam piederumam. Rotējoša darbinstrumenta aizķeršanās vai iestrēgšana izsauc tā pēkšņu apstāšanos, kā rezultātā elektroinstrumenta pārvietojas virzienā, kas pretējs darbinstrumenta kustības virzienam iestrēgšanas vietā, un nereti kļūst nevadāms. Piemēram, ja abrazīvais disks aizķeras vai iestrēgst apstrādājamajā priekšmetā, tajā iegremdētā diska mala var izrauties no apstrādājamā materiāla vai izraisīt atsitienu. Šādā gadījumā slīpēšanas disks pārvietojas lietotāja virzienā vai arī prom no viņa, atkarībā no diska rotācijas virziena attiecībā pret apstrādājamo priekšmetu. Turklāt abrazīvais disks šādos apstākļos var salūzt. Atsitiens vienmēr ir sekas elektroinstrumenta nepareizai un/vai neprasīgai lietošanai, un no tā var izvairīties, ievērojot zināmus piesardzības pasākumus, kas aprakstīti turpmākajā izklāstā.

- a. Stingri turiet elektroinstrumentu un ieņemiet tādu ķermeņa un roku stāvokli, kas vislabāk ļauj pretoties atsitienu spēkam. Vienmēr izmantojiet papildrokturi, ja tāds ir paredzēts, jo tas ļauj optimāli kompensēt atsitienu vai reaktīvo griezes momentu, uzsākot darba operāciju. *Veicot vajadzīgos piesardzības pasākumus, lietotājs jebkurā situācijā spēj efektīvi pretoties atsitienu vai reaktīvajam griezes momentam.*
- b. Netuviniet rokas rotējošajam darbinstrumentam. *Atsitienu gadījumā darbinstruments var saskarties ar lietotāja roku.*
- c. Izvairieties atrasties vietā, kurp varētu pārvietoties elektroinstrumenta, notiekot atsitienu. *Atsitienu gadījumā elektroinstrumenta pārvietojas virzienā, kas pretējs darbinstrumenta kustības virzienam iestrēgšanas vietā.*
- d. Ievērojiet īpašu piesardzību, apstrādājot stūrus un asas malas. Nepieļaujiet, lai darbinstruments atlec no apstrādājamā priekšmeta vai iestrēgst tajā. *Saskaroties ar stūriem vai asām malām, rotējošais darbinstruments izliecas un atlec no apstrādājamā priekšmeta vai iestrēgst tajā, kas var kļūt par cēloni kontroles zaudēšanai pār instrumentu vai atsitienu.*
- e. Neiestipriniet elektroinstrumentā zāga asmeņus, kas apgādāti ar zobiem un/vai ir paredzēti koka zāģēšanai. *Šādu darbinstrumentu lietošana var kļūt par cēloni atsitienu vai kontroles zaudēšanai pār elektroinstrumentu.*

---

## ĪPAŠIE DROŠĪBAS NOTEIKUMI, VEICOT SLĪPĒŠANU UN GRIEŠANU AR ABRAZĪVAJAM DISKIEM

- a. Lietojiet vienīgi tādus abrazīvos diskus, kas ir ieteikti izmantošanai kopā ar šo elektroinstrumentu, kā arī aizsargu, kas paredzēts izvēlētajam abrazīvajam diskam. *Abrazīvie diski, kas nav paredzēti izmantošanai kopā ar*

elektroinstrumentu, pilnīgi nenovietojas zem aizsarga un neļauj panākt vēlamo darba drošību.

- b. Abrazīvos diskus drīkst lietot vienīgi tādā veidā, kādam tie ir paredzēti. Piemēram, nekad neizmantojiet slīpēšanai griešanas diska sānu virsmu. *Abrazīvie griešanas diski ir paredzēti materiālu apstrādei ar malas griezējškaitni, un stiprs spiediens sānu virzienā var tos sagraut.*
- c. Kopā ar izvēlēto abrazīvo disku lietojiet vienīgi nebojātu piespiedējuzgriezni ar piemērotu formu un izmēriem. *Piemērota tipa piespiedējuzgrieznis darba laikā droši balsta abrazīvo disku un samazina tā salūšanas iespēju. Griešanas diskim paredzētie piespiedējuzgriežņi var atšķirties no piespiedējuzgriežņiem, kas lietojami kopā ar slīpēšanas diskim.*
- d. Neizmantojiet nolietotus abrazīvos diskus, kas paredzēti lielākas jaudas elektroinstrumentiem. *Lielākiem elektroinstrumentiem paredzētie abrazīvie diski nav piemēroti izmantošanai mazākas elektroinstrumentos, kuru griešanas ātrums parasti ir lielāks, un darba laikā var salūst.*

---

## PAPILDU DROŠĪBAS NOTEIKUMI, VEICOT GRIEŠANU AR ABRAZĪVAJAM DISKIEM

- a. Neizdariet pārlieku lielu spiedienu uz griešanas disku un nepieļaujiet tā iestrēgšanu. Nemēģiniet veidot pārāk dziļus griezumus. *Ja griešanas disks tiek pārslogots, tas biežāk deformējas un iestrēgst griezumā, līdz ar to pieaugot atsitienu vai salūšanas varbūtībai.*
- b. Izvairieties atrasties rotējošā griešanas diska priekšā vai aiz tā. *Ja darba laikā lietotājs pārvieto griešanas disku prom no sevis, tad atsitienu gadījumā elektroinstrumenta ar rotējošu griešanas disku tiks sviests tieši lietotāja virzienā.*
- c. Jēbkura iemesla dēļ pārtraucot darbu vai iestrēgstot griešanas diskam, izslēdziet elektroinstrumentu un turiet to nekustīgi, līdz griešanas disks pilnīgi apstājas. Nemēģiniet izvilkto no griezuma vēl rotējošu griešanas disku, jo šāda rīcība var būt par cēloni atsitienu. *Noskaidrojiet un novērsiet diska iestrēgšanas cēloni.*
- d. Neatsāciet griešanu, ja griešanas disks atrodas griezumā. Nogaidiet, līdz griešanas disks sasniedz pilnu griešanās ātrumu, un tikai tad uzmanīgi ievadiet to griezumā. *Ja elektroinstrumenta tiek iedarbināts laikā, kad griešanas disks atrodas griezumā, disks var saliekties, tikt izmests no griezuma, kā arī var notikt atsitiens.*
- e. Lai mazinātu atsitienu risku, iestrēgstot griešanas diskam, atbalstiet griezamo paneli vai citu liela izmēra griezamo priekšmetu. *Lieli priekšmeti tiecas izliekties sava svāra iespaidā. Griežamais priekšmets jāatbalsta abās griešanas diska pusēs, novietojot balstus zem griežamā priekšmeta griezuma trases tuvumā, kā arī tuvu priekšmeta malai.*
- f. Ievērojiet īpašu piesardzību, veidojot padziļinājumus sienās vai citos objektos, kas var saturēt slēptus objektus. *Griešanas diskam iegrimstot materiālā, tas var skart gāzes vai ūdensvada caurules, spriegumnesošus vadus vai kādu citu objektu, kas var izraisīt atsitienu.*

---

## ĪPAŠIE DROŠĪBAS NOTEIKUMI, VEICOT APSTRĀDI AR STIEPLU SUKU

- a. Ievērojiet piesardzību, jo pat parastas darba operācijas laikā no stieplu sukas var atdalīties un lidot prom atsevišķas

stieples. Nepārslodījiet sukās stieples, stipri spiežot uz to. *Atlūzušās stieples, kas lido ar lielu ātrumu, var viegli izkļūt caur plānu apģērbu un iedurties ādā.*

- b. Ja apstrādes laikā ir ieteikta aizsarga lietošana, nepieļaujiet tā saskaršanos ar disķveida vai kausveida stieplu suku. *Nemiet vērā, ka disķveida un kausveida stieplu sukām noslodzes un centrbrīdzes spēka iespaidā var palielināties diametrs.*
- c. Izmantojot metāla sukās, raugieties, lai apgriezīgu skaitis nebūtu lielāks par 15 000 apgr./min

## APKĀRTĒJĀ VIDE

### ATBRĪVOŠANĀS NO NOLIETOTAJIEM IZSTRĀDĀJUMIEM

Elektroinstrumenti, tā piederumi un iesaiņojuma materiāli ir jāsašķīro, sagatavojot tos otrreizējai pārstrādei apkārtējai videi nekaitīgā veidā.

### TIKAI ES VALSTĪM




Neizmēģiniet noliektos elektroinstrumentus sadzīves atkritumu tvertnē!

Saskaņā ar Eiropas Savienības direktīvu 2002/96/ES par noliektajām elektriskajām un elektroniskajām ierīcēm un šīs direktīvas atspoguļojumiem nacionālajā likumdošanā, lietošanai nederīgie elektroinstrumenti jāsavāc, jāizjauc un jānodod otrreizējai pārstrādei apkārtējai videi nekaitīgā veidā.

## TEHNISKIE PARAMETRI

### VISPĀRĒJIE PARAMETRI

Nominālais spriegums . . . . . 230-240 V, 50-60 Hz  
Nominālā jauda . . . . . 175 W  
Nominālais ātrums (n) . . . . . 35.000 apgr./min  
Turētājaptveres aptverespēja . . 0,8 mm, 1,6 mm, 2,4 mm,  
3,2 mm

 II klases konstrukcija . . . . . Celniecībā izmantojami instrumenti (ATTĒLS 5) ar dubulto izolāciju

### PAGARINĀTĀJKABELĪ

Lietojiet pilnīgi atīttus un droši izmantojamus pagarinātājkabeļus, kas paredzēti vismaz 5 A strāvai.

## SALIKŠANA

PIRMS APKALPOŠANAS UN DARBINSTRUMENTA VAI TURĒTĀJPTVERES NOMAIIJAS VIENMĒR ATVIENOJIET MULTIINSTRUMENTU NO ELEKTROTĪKLA.

### VISPĀRĒJAIS RAKSTUROJUMS

Šim Dremel multiinstrumentam piemīt augsta precizitāte, kas ļauj to izmantot sarežģītu un precīzu darbu veikšanai. Firmas

Dremel plašās darbinstrumentu un piederumu klāsts ļauj lietot multiinstrumentu visdažādākajiem uzdevumiem. To skaitā ir tādi sarežģīti darbi, kā slīpēšana, izgriešana, gravēšana, frēzēšana, griešana, tīrīšana un pulēšana.

### ATTĒLS 6

- A. Taustiņš darbvārpstas fiksēšanai
- B. Slēdzis
- C. Ātruma regulēšanas ripa
- D. Elektriskais vads
- E. Cilpa piekāršanai
- F. Ventilācijas atveres
- G. Turētājaptveres atslēga
- H. Vārpsta
- I. Nosegvāciņš
- J. Turētājaptveres uzgrieznis
- K. Turētājaptvere

## TURĒTĀJPTVERES

Multiinstrumentam paredzētajiem firmas Dremel piederumiem ir dažāda izmēra kāti. Lai multiinstrumentu pielāgotu visiem šiem darbinstrumentiem, tas tiek piegādāts kopā ar ātru izmēru turētājaptverēm. Turētājaptveres izmēru nosaka gredzenu skaits uz tās aizmugures daļas.

### ATTĒLS 7

- A. Turētājaptveres uzgrieznis
- B. 3,2 mm turētājaptvere bez gredzena (480)
- C. 2,4 mm turētājaptvere ar trim gredzeniem (481)
- D. 1,6 mm turētājaptvere ar diviem gredzeniem (482)
- E. 0,8 mm turētājaptvere ar vienu gredzenu (483)
- F. Identifikācijas gredzeni

*PIEZĪME. Daži multiinstrumenti var netikt piegādāti ar pilnu ātro turētājaptveru komplektu. Turētājaptveres var iegādāties arī atsevišķi.*

Vienmēr izmantojiet turētājaptveri, kuras izmērs atbilst lietojamā darbinstrumenta kāta izmēram. Nemēģiniet ar spēku ievietot lielāka izmēra darbinstrumenta kātu mazāka izmēra turētājaptverē.

## TURĒTĀJPTVERES NOMAIIJA

### ATTĒLS 8

- A. Turētājaptveres atslēga
- B. Taustiņš darbvārpstas fiksēšanai
- C. Turētājaptveres uzgrieznis
- D. Atskrūvēšana
- E. Pieskrūvēšana

1. Nospiediet darbvārpstas fiksēšanas taustiņu un, turot to nospiestu, ar roku grieziet darbvārpstu, līdz tā fiksējas. Nenospiediet darbvārpstas fiksēšanas taustiņu laikā, kad multiinstrumenti darbojas.
2. Turot nospiestu darbvārpstas fiksēšanas taustiņu, noskrūvējiet turētājaptveres uzgriezni. Ja nepieciešams, lietojiet šim nolūkam turētājaptveres atslēgu.
3. Izvelciet turētājaptveri no darbvārpstas stiprinājuma.

- levietojiet darbvrpistas stiprinājumu vajadzīgā izmēra turētājaptverī un ar pirkstiem pieskrūvējiet turētājaptveres uzgriezni. Nemēģiniet līdz galam pieskrūvēt uzgriezni, ja turētājaptverē neatrodas darbinstrumenta kāts.

---

## DARBINSTRUMENTA NOMAIŅA

---

### ATTĒLI 8

- Nospiediet darbvrpistas fiksēšanas taustiņu un, turot to nospiestu, grieziēt darbvrpistu, līdz tā fiksējas. Nenospiediet fiksēšanas taustiņu laikā, kad multiinstruments darbojas.
- Turot nospiestu darbvrpistas fiksēšanas taustiņu, atskrūvējiet (bet nenoskrūvējiet) turētājaptveres uzgriezni. Ja nepieciešams, lietojiet šim nolūkam turētājaptveres atslēgu.
- Līdz galam ievietojiet turētājaptverē darbinstrumenta vai piederuma kātu.
- Turot nospiestu darbvrpistas fiksēšanas taustiņu, ar pirkstiem pieskrūvējiet turētājaptveres uzgriezni, līdz darbinstrumenta vai piederuma kāts tiek stingri iespiests turētājaptverē. **PIEZĪME.** *Lai iegūtu sīkāku informāciju par firmas Dremel darbinstrumenta lietošanu, noteikti izlasiet kopā ar to piegādāto lietošanas pamācību.*

Lietojiet tikai firmā Dremel ražotus labi pārbaudītus augstas kvalitātes darbinstrumentus.

---

## PIEDERUMU NOREGULĒŠANA

---

Lai instrumenta darbība būtu precīzāka, svarīgi, lai visi piederumi būtu pareizi noregulēti (gluži kā mašīnas riepas). Lai iztaisnotu vai noregulētu piederumu, nedaudz atbrīvojiet spīļzokļa uzgriezni un pagrieziet piederumu vai spīļzokli pa 1/4 no apgrieziena. Pievelciet spīļzokļa uzgriezni un ieslēdziet frēzi. To, vai piederums ir noregulēts pareizi, vislabāk varēsiet noteikt pēc skaņas un sajūtām. Turpiniet šādi pielāgot piederumu, līdz tas ir optimāli noregulēts.

---

## DARBA UZSĀKŠANA

---

---

### LIETOŠANA

---

Pirmais solis multiinstrumenta lietošanā ir pierast pie tā. Paturiet multiinstrumentu rokā un izjūtiēt tā svaru un līdzsvarojumu. Pierodiet pie tā izstieptās konusveida formas. Tā ļauj turēt multiinstrumentu līdzīgi tam, kā tiek turēts zīmulis vai pildspalva. *Netuviniet elektroinstrumentu sejai. Darba laikā rotējošie darbinstrumenti var salūzt, un to daļas var lidot ar lielu ātrumu. Turot elektroinstrumentu, nenosedziet ar roku tā ventilācijas atveres. Nosedzta ventilācijas atveres var būt par cēloni dzinēja pārkaršanai.* **SVARĪGI!** Lai pierastu pie multiinstrumenta lielā griešanās ātruma, veiciet apstrādes mēģinājumus uz materiāla atgriezuma. Atcerieties, ka multiinstruments vislabāk darbojas pie pietiekoši liela ātruma, kopā ar to izmantojot pareizi izvēlētas firmas Dremel darbinstrumentus un piederumus. Lietojot multiinstrumentu, iespējams robežās strādājiet ar nelielu spiedienu uz darbinstrumentu. Lēni tuviniet rotējošo darbinstrumentu apstrādājamā priekšmeta virsmai

un ļaujiet tam saskarties ar virsmu punktā, no kura vēlaties sākt apstrādi. Uzmanīgi vadiet darbinstrumentu pa apstrādājamo virsmu, izdarot uz to minimālu spiedienu. Ļaujiet darbinstrumentam darīt darbu pašam.

Labāki rezultāti parasti tiek sasniegti tad, ja apstrāde notiek vairākos paņēmienos, pārvietojot darbinstrumentu pa apstrādes vietu vairākas reizes. Ar darbinstrumentu viegli skariet apstrādājamo virsmu, jo tad elektroinstrumentu ir vieglāk vadīt un samazinās iespēja kļūdities.

---

## ELEKTROINSTRUMENTA TURĒŠANA

---

Multiinstrumentu ir vieglāk vadīt, turot to kā zīmuli starp īkšķi un rādītājpirkstu (ATTĒLS 9).

Multiinstrumentu ieteicams turēt kā golfa nūju, ja veicams smagāks darbs, piemēram, slīpēšana vai griešana ar abrazīvo disku (ATTĒLS 10).

### Uzgalis

Precīziem uzdevumiem ir paredzēts atsevišķs uzgalis. Tam ir trīsdabīga forma, tādēļ lietotājs var viegli satvert uzgali starp īkšķi un rādītājpirkstu. Uzgaļa tievā forma nodrošina ideālu vizūras skatiena asi, smalki gravējot, izgrebjot un izgriežot. Šis uzgalis nav iekļauts visos komplektos. 11. ATTĒLS

---

## GRIEŠANĀS ĀTRUMS

---

Lai konkrētā uzdevuma izpildei izvēlētos atbilstošu ātrumu, pamēģiniet veikt šo darbu, izmantojot atsevišķu materiāla gabalu.

### BĪDĀMS "IESL./IZSL." ("ON/OFF") SLĒDZIS

Instrumentu var "IESLĒGT" ("ON"), izmantojot bīdāmo slēdzi virs motora korpusa.

LAI "IESLĒGTU" ("ON") INSTRUMENTU, pabīdiet slēdzi uz priekšu. LAI "IZSLĒGTU" ("OFF") INSTRUMENTU, pabīdiet slēdzi atpakaļ.

### JAUDĪGS MOTORS

Šis instruments ir aprīkots ar jaudīgu frēzes motoru. Šis motors nodrošina vēl lielāku frēzes funkcionalitāti, jo ir izmantojams ar citiem Dremel papildpiederumiem.

### ELEKTRONISKĀ ATGRIEZIENISKĀ SAITE

Šim instrumentam ir iekšējā elektroniskās atgriezeniskās saites sistēma, kas nodrošina "mierīgu iedarbināšanu", mazinot spriegumu, kas, ieslēdzot instrumentu, rodas lielā griezes momenta dēļ. Šī sistēma arī paredzēta, lai saglabātu nemainīgu iepriekš atlasītu ātrumu starp ierīce darbību tukšgaitā un darbību slodzes režīmā.

### ĀTRUMA REGULĒŠANAS RIPA

Šim instrumentam ir ātruma regulēšanas ripa. Instrumenta ātrumu var regulēt darbības laikā, iepriekš noregulējot ripu kādā no iestatījumiem vai režīmā starp tiem.

Frēzes ātrumu var regulēt, iestatot ripu uz ierīces korpusa.

12. ATTĒLS

## Iestatījumiem atbilstošs aptuvenais apgriezienu skaits

Slēdža iestatījums	Ātruma diapazons
5	5.000 apgr./min
10	10.000 apgr./min
*15	15.000 apgr./min
20	20.000 apgr./min
25	25.000 apgr./min
30	30.000 apgr./min
35	35.000 apgr./min

\* Izmantojot metāla sukuks, raugieties, lai apgriezienu skaits nebūtu lielāks par 15 000 apgr./min

Lai noteiktu apstrādājamajam materiālam lietojamajam darbinstrumentam atbilstošu griešanās ātrumu uzstādījumus, izmantojiet lappusēs 4-7 sniegto tabulu.

Vairumu darbu iespējams veikt, darbinot elektroinstrumentu ar maksimālo griešanās ātrumu. Taču dažus materiālus (dažu veidu plastmasas un metālus) var bojāt siltums, kas pie liela griešanās ātruma izdalās apstrādes vietā, tāpēc tie jāapstrādā ar relatīvi nelielu griešanās ātrumu. Neliels griešanās ātrums (15000 apgr./min. vai mazāks) parasti ir optimāls, veicot pulēšanu ar filca pulēšanas piederumiem. Visu veidu apstrāde ar suku ir veicama ar nelielu griešanās ātrumu, kas ļauj novērst stieplu atdalīšanos no turētāja. Darbinot elektroinstrumentu ar nelielu griešanās ātrumu, ļaujiet tam darīt darbu pašam. Lielāku griešanās ātrumu ieteicams izmantot, apstrādājot cietas koka šķirnes, metālu un stiklu un veicot urbšanu, gravēšanu, griešanu, frēzēšanu, šķersfrēzēšanu un gropju iefrēzēšanu koka.

Daži norādījumi attiecībā uz elektroinstrumenta griešanās ātrumu.

- Plastmasa un citi materiāli ar zemu kušanas temperatūru jāgriez ar nelielu griešanās ātrumu.
- Materiālu pulēšana un tīrīšana ar stieplu suku jāveic ar griešanās ātrumu, kas nepārsniedz 15000 apgr./min., jo tas ļauj novērst sukuks un apstrādājamā materiāla sabojāšanu.
- Koka griešana jāveic ar lielu griešanās ātrumu.
- Dzelzs un tērauda griešana jāveic ar lielu griešanās ātrumu.
- Ja ātrgriezējērauda griešanas disks sāk vibrēt, tas parasti norāda, ka diska griešanās ātrums ir pārāk mazs.
- Alumīniju, vara, svina un cinka sakausējumus un alvu var griezt ar dažādu ātrumu, kas jāizvēlas atkarībā no veicamā darba rakstura. Lai novērstu griežamā materiāla pielpšanu griešanas darbinstrumentam, pārklājiet darbinstrumentu ar parafīnu vai citiem eļļošajiem šķidrumiem (taču ne ar ūdeni).

**PIEZĪME.** Ja apstrāde nenotiek ar pietiekošu ātrumu, elektroinstrumenta veikspēja neuzlabosies, palielinot spiedienu uz to. Lai panāktu vēlamu rezultātu, mēģiniet lietot cita tipa darbinstrumentu vai izmainiet elektroinstrumenta griešanās ātrumu.

## APKALPOŠANA

Elektroinstrumenta preventīvās apkalpošanas laikā, ko veicis nepilnvarots personāls, var tikt izmainīts iekšējo savienotāju un citu sastāvdaļu novietojums, kas var radīt nopietnas briesmas lietotājam. Mēs iesakām visus elektroinstrumenta apkalpošanas darbus veikt firmas Dremel pilnvarotā tehniskās apkalpošanas iestādē. Lai izvairītos no elektriskā trieciena un savainojumiem elektroinstrumenta patvaļīgas ieslēgšanās dēļ, pirms tīrīšanas vai apkalpošanas atvienojiet tā elektriskā vada kontaktdakšu no elektroīkla kontaktligzdas.

## TĪRĪŠANA

**⚠ UZMANĪBU** LAI IZVIRĪTOS NO NEGADĪJUMIEM, PIRMS TĪRĪŠANAS VIENMĒR ATVIENOJIET INSTRUMENTU UN/VAI LĀDĒTĀJU NO BAROŠANAS AVOTA. Visefektīvāk instrumentu var tīrīt ar saspiestu sauso gaisu. Tīrot instrumentus ar saspiestu sauso gaisu, vienmēr lietojiet aizsargbrilles.

Ventilācijas atverēm un svirslēdzēm vienmēr jābūt tīriem un bez svešķermeņiem. Nemēģiniet tīrīt instrumentu, atverēs bāzot asus priekšmetus.

**⚠ UZMANĪBU** ZINĀMI TĪRĪŠANAS LĪDZEKĻI UN ŠĶIDUMI VAR SABOJĀT PLASTMASAS DETALĀS.

Daži no tiem ir: benzīns, oglekļa tetrahlorīds, hlora saturoši tīrīšanas šķidrumi, amonjaks un amonjaku saturoši sadzīves mazgāšanas līdzekļi.

## TEHNISKĀ APKOPE UN GARANTĪJA

**⚠ UZMANĪBU** INSTRUMENTAM NAV DAĻU, KURU REMONTU VAR VEIKT LIETOTĀJS. Ja priekšlaicīgu apkopi veic ne kvalificēts personāls, iekšējie vadi un daļas var tikt nepareizi savietoti, tādējādi radot lielu risku. *Jebkuru tehnisko apkopi iesakām veikt Dremel apkopes centros. TEHNISKĀS APKOPES SPECIĀLISTI: Pirms apkopes atvienojiet instrumentu un/vai lādētāju no barošanas avota.*

Šī DREMEL izstrādājuma garantija atbilst ar likumu noteiktajām/vai valstij specifiskajām prasībām; garantija neattiecas uz bojājumiem, ko izraisījis normāls nodilums un nolietojums, izstrādājuma pārlodze vai nepareiza izmantošana.

Sūdzību gadījumā *neizjauktu* instrumentu vai lādētāju kopā ar pirkuma pierādījumu nosūtiet savam izplatītājam.

## SAZINĀŠANĀS AR DREMEL

Plašāku informāciju par Dremel piedāvājumu, atbalsta dienestu un karsto palīdzības līniju skatiet vietnē [www.dremel.com](http://www.dremel.com).

Dremel Europe, P.O. Box 3267, 4800 DG Breda, Nederlande



**تحذير**

اقرأ جميع تحذيرات الأمان وجميع التعليمات.

(الصورة ١)

قد يؤدي الغفل في اتباع هذه التحذيرات والتعليمات إلى صدمة كهربية، و/أو حرق، و/أو إصابة بالغة.

**احتفظ بجميع التحذيرات والتعليمات من أجل الرجوع إليها في المستقبل.**

يشير مصطلح "الأداة الكهربائية" الوارد في التحذيرات إلى أداتك الكهربائية التي يتم تشغيلها بالتيار الكهربائي (باستعمال الأسلاك) أو أداتك الكهربائية التي يتم تشغيلها بالبطاريات (بنون أسلاك).

### الأمان في منطقة العمل

أ. حافظ على نظافة منطقة العمل وإضاءتها الجيدة. تشجع المناطق التي يسودها القوضى والظلام على وقوع الحوادث.

ب. لا تقم بتشغيل الأدوات الكهربائية في أوساط قابلة للانفجار مثل التشغيل في وجود سوائل أو غازات أو أتربة قابلة للاشتعال. ينبعث من الأدوات الكهربائية شرر قد يعمل على إشعال الغاز أو الأديخ.

ج. أبعد الأطفال والمفرجين أثناء تشغيل أداة كهربية. قد يتسبب تشتيت الانتباه في فقدان التحكم.

### الأمان الكهربائي

أ. يجب أن تتطابق قوايس الأداة الكهربائية مع المنفذ. ولا تدخل أي تمديدات على القابس بأي شكل من الأشكال. لا تستخدم أي قوايس مهايئة مع الأدوات الكهربائية المتصلة بالأرض (مؤرضة). ستقل القوايس غير المعدلة والمنافذ المتطابقة من خطر الصدمة الكهربائية.

ب. تجنب ملامسة الجسم للأسطح المتصلة بالأرض أو المؤرضة مثل الألبنيب والمشاعبات وأفران الطهي والثلاجات. هناك خطر متزايد لحدوث صدمة كهربية في حالة ملامسة جسمك للأدوات المؤرضة أو المتصلة بالأرض.

ج. لا تعرض الأدوات الكهربائية لظروف الطقس الممطرة أو الرطبة. سينتج عن ذلك خطر الصدمة الكهربائية في حالة دخول الماء إلى الأداة الكهربائية.

د. لا تستخدم السلك بشكل خاطئ. ولا تستخدم السلك لحمل الأداة الكهربائية أو سحبها أو نزعها من القابس. احتفظ بالسلك بعيداً عن الحرارة أو الزيت أو الحواف الحادة أو الأجزاء المتحركة. تزيد الأسلاك التالفة أو المتشابكة من خطر الصدمة الكهربائية.

هـ. استخدم سلك استطالة مناسباً للاستخدام الخارجي عند تشغيل أداة كهربية في الأماكن الخارجية. يقلل استخدام سلك مناسب للاستخدام الخارجي من خطر الصدمة الكهربائية.

و. إذا كان لا مفر من تشغيل أداة كهربية في موضع رطب، فاستخدم قاطع الحماية من التسرب الأرضي. يقلل استخدام قاطع للحماية من التسرب الأرضي من خطر الصدمة الكهربائية.

### السلامة الشخصية

أ. كن منبهتاً، وانتبه إلى ما تفعله، وتحل بحسن التمييز عند تشغيل أداة كهربية. ولا تستخدم أية أداة كهربية عندما تكون مرهقاً أو تحت تأثير المخدرات أو الكحول أو العلاج الطبي. قد يؤدي تشتيت الانتباه للحظة واحدة أثناء تشغيل الأدوات الكهربائية إلى إصابة شخصية خطيرة.

ب. استخدم معدات الأمان. وارتد دائماً أجهزة وقاية البصر. ستقلل معدات الأمان مثل قناع

فلتره الأتربة، أو أحذية الأمان المضادة للتلزلق، أو الخوذة أو معدات وقاية السمع التي يتم استخدامها في ظروف مناسبة من الإصابات الشخصية. (الصورة ٢ + ٣ + ٤)



استخدم معدات الأمان. وارتد دائماً أجهزة وقاية البصر. ستقلل معدات الأمان مثل قناع

فلتره الأتربة، أو أحذية الأمان المضادة للتلزلق، أو الخوذة أو معدات وقاية السمع التي يتم استخدامها في ظروف مناسبة من الإصابات الشخصية. (الصورة ٢ + ٣ + ٤)

ج. تجنب بدء التشغيل غير المقصود. تأكد أن المفتاح في وضع إيقاف التشغيل قبل توصيل الأداة بمصدر التيار الكهربائي وأو حزمة

البطارية أو حملها أو نقلها. يشجع حمل الأدوات الكهربائية مع وجود إصبعك على المفتاح أو تزويد الطاقة للأدوات الكهربائية التي يكون

المفتاح بها في وضع التشغيل على وقوع حوادث. قد يزال لك أي مفتاح ضبط أو مفتاح ربط قبل تشغيل الأداة الكهربائية.

د. قد يتسبب ترك مفتاح الربط أو أي مفتاح متصلاً بجزء دوار في الأداة الكهربائية في وقوع إصابة شخصية.

هـ. لا تتخذ أوضاعاً يخل فيها توازنك. وحافظ على الثبات والانتزان الملائم دائماً. يؤدي ذلك إلى المتكمن من الحصول على تحكم أفضل في الأداة الكهربائية في المواقف المفاجئة.

و. ارتد الملابس المناسبة. ولا ترتد ملابس فضفاضة أو مجوهرات. وأبعد شعرك وملابسك وقفازاتك بعيداً عن الأجزاء المتحركة. قد تمسك الأجزاء المتحركة بملابسك الفضفاضة أو المجوهرات أو الشعر الطويل.

ز. إذا كانت الأجهزة مزودة لتوصيل وحدات تجمع الأتربة واستخلاصها، فتأكد من توصيل هذه الأجهزة واستخدامها بالشكل المناسب. قد يؤدي استخدام هذه الأجهزة إلى تقليل المخاطر المتعلقة بالأتربة.

### استخدام الأداة الكهربائية والعناية بها

أ. لا تقرب في استخدام القوة مع الأداة الكهربائية. استخدم الأداة الكهربائية المناسبة للمناسبة للتطبيق الخاص بك. ستقوم الأداة الكهربائية المناسبة بأداء المهمة بشكل أفضل وأكثر أمناً وبالسرع التي صممت من أجلها.

ب. لا تستخدم الأداة الكهربائية في حالة تعذر تشغيلها أو إيقاف تشغيلها باستخدام المفتاح. تعتبر أي أداة كهربية يتعذر التحكم فيها باستخدام

المفتاح أداة خطيرة ويجب إصلاحها. أفضل القابس من مصدر التيار قبل القيام بأي عمليات ضبط أو تغيير الملحقات أو تخزين الأدوات الكهربائية. تؤدي إجراءات الأمان

الوقائية هذه إلى تقليل خطر بدء تشغيل الأداة الكهربائية دون قصد. قد يتخزين الأدوات الكهربائية المعطلة بعيداً عن متناول الأطفال

و لا تسمح للأشخاص الذين ليسوا على دراية بالأداة الكهربائية أو بهذه التعليمات أن يقوموا بتشغيل الأداة الكهربائية. تصحح الأدوات

خطيرة عندما يتعامل معها مستخدمون غير مدربين. قم بصيانة الأدوات الكهربائية. وافحص للبحث عن عدم ضبط

الأجزاء المتحركة أو إعاقة حركتها، وعن كسر الأجزاء، وأي حالة أخرى قد تؤثر في تشغيل الأداة الكهربائية، وقم بإصلاح الأداة

الكهربية في حالة تلفها قبل استخدامها. تقع العديد من الحوادث بسبب الأدوات الكهربائية التي تعاني من ضعف الصيانة.

و. حافظ على حدة أدوات القطع ونظافتها. تقلل احتمالية إعاقة حركة أدوات القطع التي لها حواف قطع حادة والتي تتم صيانتها بشكل

مناسب، ويسهل التحكم فيها. استخدم الأداة الكهربائية والملحقات وأجزاء الأداة وما إلى ذلك

بما يتفق مع هذه التعليمات، مع الأخذ في الاعتبار ظروف العمل والعمل المراد إنجازه. قد يؤدي استخدام الأداة الكهربائية في عمليات

تشغيل تختلف عن تلك المصممة لها إلى حدوث موقف خطير.

لا تعمل باستخدام مواد تحتوي على

**تحذير**

الأمينيسوتوس (الحرير الصخري) (بعتبر الأمينيسوتوس مادة مسرطنة).

اتخذ إجراءات وقائية أثناء العمل الذي يتكون

**تحذير**

فيه الغبار الذي يضر بصحة الإنسان أو القابل للاشتعال أو الانفجار (تعتبر بعض الأتربة مسرطنة)؛ وارتد قناع فلتره الأتربة واعمل باستخدام أداة استخراج الغبار/الاشطيا

عند توصيلها.

## الصيانة

أ. لا تسمح بصيانة الأداة الكهربائية إلا بمعرفة شخص مؤهل للتصليح يستخدم قطع الغيار المماثلة فقط. سيضمن ذلك المحافظة على سلامة الأداة الكهربائية.

## تحذيرات أمان شائعة في عمليات التخليج، أو الصنفرة بالرمل، أو التنظيف بالفرشاة السلكية، أو الصقل، أو عمليات القطع بالسحج.

- أ. هذه الأداة الكهربائية مصممة لتقوم بوظيفة أداة الجلب أو الصنفرة أو الفرشاة السلكية أو أداة الصقل أو القطع. اقرأ جميع تحذيرات الأمان والتعليمات والزسوم التوضيحية والموصفات المرفقة مع هذه الأداة الكهربائية. قد يؤدي عدم اتباع جميع التعليمات الواردة أثناء إلى صدمة كهربائية، و/أو حريق، و/أو إصابة بالغة.
- ب. لا تستخدم الملحقات التي لم تصممها الشركة المصنعة للأدوات أو توص بها بشكل خاص. لا تكفي إمكانية توصيل الملحق بإداتك الكهربائية وحدها لضمان أمان التشغيل.
- ج. يجب أن تكون سرعة الأداة الملحقة المقررة مساوية على الأقل للسرعة القصوى المميزة بعلامة على الأداة الكهربائية. قد تنكسر الملحقات التي يتم تشغيلها بسرعة أكبر من السرعة المعيارية لها وتطير إلى أشلاء.
- د. يجب أن يقع القطر الخارجي للأداة الملحقة وسنمها في حدود معيارية قدرة أداتك الكهربائية. تتعذر حماية الملحقات التي لها أحجام غير مطابق مع مكونات التثبيت في الأداة الكهربائية، ويتهرر بشكل زائد وقد تتسبب في فقدان التحكم.
- و. لا تستخدم أداة ملحقة تالفة. وقيل الاستخدام، افحص الأدوات الملحقة مثل العجلات الكاشطة للكشف عن التشققات والشروخ، وسوادم الكاشط للكشف عن الشروخ أو التمزق أو التآكل الزائد، أو الفرش السلكية للكشف عن الأسلاك المفككة أو المفصوفة. وافحص الأداة الكهربائية أو الأداة الملحقة في حالة سقوطها للكشف عن التلف أو تم بقر تركيب أداة ملحقة خالية من التلف. بعد فحص أداة ملحقة وتركيبها، ابتعد وأبعد المتفرجين عن محيط الأداة الملحقة الدوارة وقم بتشغيل الأداة الكهربائية بسرعة الاحمال القصوى لمدة دقيقة واحدة، من الطبيعي أن تتفكك الأدوات الملحقة التالفة إلى أجزاء في أول مرة يتم فحصها.
- ز. ارتد معدات الوقاية الشخصية. استخدم واقي الوجه أو نظاير الأمان أو نظارات الأمان وذلك حسب التطبيق. ارتد قناع فلتره الأتربة وواقيات السمع والقفازات ومريلة ورشمة العمل التي تحتجز المواد الكاشطة الصغيرة أو شظايا قطع العمل بما يتلام مع طبيعة العمل. يجب أن تتم أداة وقاية البصر من احتجاز شظايا الحطام المتطايرة التي تتكون من العمليات المتعددة. ويجب أن يتمكن قناع فلتره الأتربة أو الكمامة من فلتره الجسيمات التي تتكون من عملية التشغيل التي تقوم بها. وقد يتسبب التعرض الطويل للضوضاء عالية الشدة في فقدان السمع.
- ح. أبعد المتفرجين من حورك ليكونوا على مسافة آمنة من منطقة العمل. ويجب أن يرتدي أي شخص يدخل إلى منطقة العمل معدات الوقاية الشخصية. قد تتطاير شظايا قطع العمل أو شظايا أداة ملحقة مكشورة بعيداً وتتسبب في الإصابة إلى ما بعد حدود منطقة التشغيل القريبة.

- ط. لا تمسك الأداة الكهربائية إلا باستخدام مقابض معزولة عند القيام بعملية تشغيل. قد تتلامس فيها أداة القطع مع أسلاك مفتوحة أو مع سلك الطاقة. قد تؤدي أيضاً ملامسة سلك "به تيار كهربائي نشط" إلى "سريان التيار الكهربائي النشط" في الأجزاء المعدنية المكشوفة في الأداة الكهربائية وقد يعرض المشغل لصدمة كهربائية.
- ي. ضع السلك بعيداً عن الأداة الملحقة الدوارة. إذا فقدت التحكم، فإن السلك قد يكون مقطوعاً أو ممزقاً أو انزلقت يدك أو ذراعك إلى داخل الأداة الملحقة الدوارة.
- ك. لا تترك الأداة الكهربائية من يديك حتى تكون الأداة الملحقة قد توقفت تماماً. قد تمسك الأداة الملحقة الدوارة في السطح وتفقد التحكم في الأداة الكهربائية.
- ل. لا تقم بتشغيل الأداة الكهربائية وأنت تمسك بها ناحيتك. قد يؤدي التلامس غير المقصود مع الأداة الملحقة الدوارة إلى الإسلاك بملاصق وجذب الأداة الملحقة في جسمك.
- م. قم بتنظيف فتحات تهوية الأداة الكهربائية بشكل منتظم. ستقوم مروحة الموتور بسحب التراب إلى داخل المبيت وقد يتسبب التراكم المتزايد للمساحيق المعدنية في المخاطر الكهربائية.
- ن. لا تقم بتشغيل الأداة الكهربائية بالقرب من المواد سريعة الاشتعال. قد يؤدي الشرر إلى إشعال تلك المواد.
- س. لا تستخدم الأدوات الملحقة التي تحتاج إلى سوائل تبريد. قد يؤدي استخدام المياه أو سوائل تبريد أخرى إلى الصعق الكهربائي أو الصدمة الكهربائية.
- ع. لا تستخدم ورق قرص صنفرة بحجم كبير زائد عن الحد. واتبع توصيات الشركة المصنعة عند تحديد ورق الصنفرة. ينتج عن استخدام ورق الصنفرة الأكبر حجماً والذي يمتد إلى ما بعد وسادة الصنفرة خطر التمزق وقد يتسبب في عرقلة القرص أو تمزقه أو صدور حركة مفاجئة.
- ف. لا تترك أي جزء سائب من قلمسوة الصقل أو خيوط الربط الخاصة بها تدور دون عائق. قم بتني أي خيوط ربط مفككة أو تشذبيها. قد تؤدي خيوط الربط المفككة والدوارة إلى ربط أصابعك أو عرقلة قطع العمل.

## حركات الآلة المفاجئة والتحذيرات المتعلقة بها

- حركة الأداة المفاجئة هي رد فعل مفاجئ بسبب ضغط أو عرقلة العجلة الدوارة أو وسادة الدعم أو الفرشاة أو أي أداة ملحقة أخرى. ويتسبب الضغط أو العرقلة في التوقف المفاجئ السريع للأداة الملحقة الدوارة والذي يتسبب بدوره في إرغام تحول الأداة الكهربائية غير المتحكم فيها في الاتجاه المعاكس لدوران الأداة الملحقة عند نقطة العرقلة. فعلى سبيل المثال، في حالة عرقلة عجلة كاشطة أو الضغط عليها بواسطة قطعة العمل، فإن حافة العجلة التي تتعرض لنقطة الضغط قد تؤدي إلى الحفر في سطح المادة مما يتسبب في القفز المرتفع للعجلة أو إزاحتها بعيداً. وإما أن تقفز العجلة ناحية المشغل أو بعيداً عنه، ويتوقف ذلك على اتجاه حركة العجلة في النقطة التي وقع عندها الضغط. كما أن العجلات الكاشطة قد تنكسر في ظل تلك الظروف. وتحدث حركة الأداة المفاجئة نتيجة لسوء استخدام الأداة الكهربائية و/أو ظروف أو إجراءات تشغيل غير مناسبة، ويمكن تجنبها عن طريق اتخاذ الاحتياطات المناسبة كما هي محددة أثناء.
- أ. احتفظ بوضعية ثابتة على الأداة الكهربائية، وضع جسمك وذراعك في موضع يتيح لك مقاومة قوى حركة الأداة المفاجئة، واستخدم دائماً مقبضاً مساعداً في حالة توفره للحصول على أقصى تحكم في حركة الأداة المفاجئة أو رد فعل العزم أثناء بدء التشغيل. يستطيع المشغل التحكم في ردود أفعال العزم أو قوى حركة الأداة المفاجئة في حالة اتخاذ الاحتياطات المناسبة.
  - ب. لا تضع يديك بالقرب من الأداة الملحقة الدوارة. قد تتحرك الأداة الملحقة حركة مفاجئة على يديك.

و. توخ مزيداً من الحذر عند عمل "قطع جيبي" في الحوائط الموجودة أو المناطق الأخرى المصممة. قد تقطع العجلة اللنتنة أنابيب الغاز أو المياه، أو الأسلاك الكهربائية أو الأشياء التي قد تسبب حركة مفاجئة.

### تحذيرات أمان خاصة بعمليات استخدام الفرشاة السلكية

- أ. كن على دراية بأن الشعر السلكي يتطابق أثناء استخدام الفرشاة حتى أثناء التشغيل العادي. فلا تضغط بشكل زائد على الأسلاك من خلال وضع حمولة زائدة على الفرشاة. قد يخرق الشعر السلكي الملابس الخفيفة و/أو البشرة بسهولة.
- ب. لا تسمح بأي تداخل للعجلة أو الفرشاة السلكية مع هذا الوافي في حالة التوصية باستخدام وافي من أجل التنظيف بالفرشاة السلكية. قد يزداد قطر العجلة أو الفرشاة السلكية بسبب حمولة العمل وقوى الطرد المركزي.
- ج. لا تتجاوز سرعة ١٥٠٠٠ دورة في الدقيقة عند استخدام الفرشاة السلكية.

## البيئة

### التخلص من الأداة

ينبغي فرز الماكينات والملحقات والتغليف لإعادة تدويرها بشكل لا يضر بالبيئة.

### خاص بالدول الأوروبية فقط

لا تتخلص من الأدوات الكهربائية في النفايات المنزلية! يجب تجميع الأدوات الكهربائية التي لم تعد قابلة للاستخدام بشكل منفصل والتخلص منها بطريقة مناسبة بيئيًا وذلك بموجب التوجيه الأوروبي 2002/96/EC الخاص بنفايات المعدات الكهربائية والإلكترونية وتنفيذه في القانون الوطني.



## المواصفات

### مواصفات عامة

معايرة الفولطية	..... ٢٤٠-٢٣٠ فولت, ٦٠-٥٠ هرتز
الطاقة ذات الصلة	..... ١٧٥ واط
السرعة المعيارية (n)	..... ٣٥٠٠٠ دورة في الدقيقة
سعة القابض	..... ٠,٨ مم و ١,٦ مم و ٢,٤ مم و ٣,٢ مم
التركيب من الفئة الثانية	..... أدوات تركيب معزولة مزدوجة



(الصورة ٥)

### أسلاك الاستطالة

استخدم أسلاك الاستطالة الآمنة والممدودة بالكامل بسعة تيار تصل إلى ٥ أمبير.

## التجميع

احرص دوماً على فصل الأداة متعددة الاستخدامات قبل تغيير الملحقات أو تغيير أدوات القبض على الأشياء أو صيانة الأداة.

- ج. لا تضع جسمك في منطقة ستتحرك فيها الأداة الكهربائية في حالة حدوث حركة مفاجئة. ستدفع الحركة المفاجئة الأداة في الاتجاه العكس لحركة العجلة عند نقطة العرقلة.
- د. توخ الحذر بشكل خاص عند التعامل مع الأركان والحواف الحادة وغيرها، وتجنب أن تسمح بقفز الأداة الملحقة أو الضغط عليها. تميل الأركان أو الحواف الحادة أو قفز الأداة إلى عرقلة الأداة الدوارة وتسبب في فقدان التحكم أو حركة مفاجئة للأداة.
- هـ. لا تقم بتثبيت شفرة حفر الخشب بسلسلة المنشار أو شفرة المنشار الممنن. تسبب هذه الشفرات في تكرار الحركة المفاجئة للأداة وفقدان التحكم فيها.

## تحذيرات أمان خاصة بعمليات التجميع وعمليات

### القطع بالسحج

- أ. لا تستخدم إلا أنواع العجلات الموصى بها للأداة الكهربائية والوافي المصمم خصيصاً للعجلة المحددة. لا تتم حماية العجلات التي لم تصمم للأداة الكهربائية لها بالشكل المناسب وتكون غير آمنة.
- ب. يجب عدم استخدام العجلات إلا في التطبيقات الموصى بها. فمثلاً، لا تجلج باستخدام جانب عجلة القطع. يتم تصميم عجلات القطع الكاشطة من أجل التجميع المحيطي وقد تسبب القوى الجانبية الواقعة على هذه العجلات في تحطيمها.
- ج. استخدم دائماً حواف العجلة غير التالفة ذات الحجم والشكل المناسبين للعجلة المحددة. تمل حواف العجلة المناسبة على دعم العجلة ومن ثم تقليل احتمالية تعرض العجلة للكسر. قد تكون حواف عجلات القطع مختلفة عن حواف عجلات التجميع.
- د. لا تستخدم عجلات بالية للأدوات الكهربائية أكبر. لا تتناسب العجلة المصممة لأداة كهربائية أكبر مع السرعة الأعلى لأداة أصغر وقد تتعرض للانفجار.

## تحذيرات أمان إضافية خاصة بعمليات

### القطع بالسحج

- أ. لا "تعمق" حركة عجلة القطع ولا تضغط عليها بشكل زائد. ولا تحاول إحداث قطع بعقم مبالغ فيه. تؤدي زيادة الضغط على العجلة إلى زيادة الحمولة وقابلية التواء العجلة أو عرقلتها في القطع واحتمالية تحرك العجلة بشكل مفاجئ أو انكسارها.
- ب. لا تضع جسمك في محاذة العجلة الدوارة وخلفها. عندما تتحرك العجلة بعيداً عن جسمك أثناء التشغيل، فإن الحركة المفاجئة المحتملة قد تدفع عجلة التدويم والأداة الكهربائية تحرك مباشرة.
- ج. عند عرقلة العجلة أو عند إعاقة القطع لأي سبب من الأسباب، أوقف تشغيل الأداة الكهربائية وحافظ على ثبات الأداة الكهربائية دون حركة حتى تتوقف العجلة تماماً. ولا تحاول إخراج عجلة القطع من القطع أثناء وجودها قيد الحركة والافقد تصدر منها حركة مفاجئة. تحقق واتخذ الإجراء التصحيحي للقضاء على سبب عرقلة العجلة.
- د. لا تعد تشغيل القطع في قطعة العمل. وأمهل العجلة حتى تصل إلى سرعتها الكاملة وأعد إدخالها في القطع بحرص. قد تتم عرقلة العجلة أو ترتفع إلى أعلى أو تصدر منها حركة مفاجئة في حالة إعادة تشغيل الأداة الكهربائية داخل قطعة العمل.
- هـ. ادمع الأواح أو أي قطعة عمل كبيرة الحجم للحد من خطر ضغط العجلة أو صدور حركة مفاجئة منها. تميل قطع العمل الكبيرة إلى عدم الثبات بسبب وزنها. ويجب أن يتم وضع الدعائم تحت قطعة العمل بالقرب من خط القطع واليقرب من حافة قطعة العمل على كلا جانبي العجلة.

## مواصفات عامة

تتميز أداة Dremel متعددة الاستخدامات بأنها أداة ضبط عالية الجودة يمكن استخدامها للقيام بمهام تفصيلية ومعقدة، وينتج النطاق الواسع للكماليات والملحقات الخاصة بشركة Dremel أن تقوم بإجراء مجموعة متنوعة وكبيرة من المهام. وتشتمل تلك المجموعة على مهام مثل الصنفرة باستخدام الرمل، والنحت، والنقش، والتنظيف، والتلميع.

### الصورة ٦

- زر قفل عمود الدوران
- مفتاح التشغيل/إيقاف التشغيل
- قرص السرعات المتفاوتة
- سلك الطاقة
- أداة التعليق
- فتحات التهوية
- مفتاح ربط القابض
- عمود الدوران
- غطاء المبيت
- صامولة القابض
- القابض

## الأدوات القابضة

تتوافر ملحقات Dremel للأداة متعددة الاستخدامات التي تأتي بأحجام مختلفة لساق الأداة، وتتوافر أدوات قابضة بأربعة أحجام لتلائم أحجام الساق المختلفة. ويتم تحديد أحجام القابض عن طريق الحلقات الموجودة على الجانب الخلفي للقابض.

### الصورة ٧

- صامولة القابض
- قابض بدون حلقة ٣,٢ مم (٤٨٠)
- قابض بثلاث حلقات ٢,٤ مم (٤٨١)
- قابض بحلقتين ١,٦ مم (٤٨٢)
- قابض بحلقة واحدة ٠,٨ مم (٤٨٣)
- حلقات التعريف

ملاحظة: قد لا تشتمل بعض أطعم الأداة متعددة الاستخدامات على أحجام القابض الأربعة كلها، وتتوافر أدوات القابض على الأشياء على كل حدة.

استخدم دائمًا القابض الذي يتطابق مع حجم ساق الأداة الملحقة التي تخطط لاستخدامها. ولا تدخل بقوة ساقًا قطرها أكبر في قابض أصغر حجمًا.

## تغيير أدوات القابض على الأشياء

### الصورة ٨

- مفتاح ربط القابض
- زر قفل عمود الدوران
- صامولة القابض
- للإرخاء
- هر لإحكام الربط

١. اضغط على زر قفل عمود الدوران واستمر في الضغط عليه إلى أسفل وقم بإدارة عمود الدوران يدويًا حتى يتم تشدق قفل عمود الدوران. لا تقم بتشديد زر قفل عمود الدوران أثناء وجود الأداة متعددة الاستخدامات قيد التشغيل.

٢. قم بفك صامولة القابض وإخراجها عند تشدق زر قفل عمود الدوران. استخدم مفتاح ربط القابض إذا لزم الأمر.

٣. اخلع القابض عن طريق سحبه وتحريره من عمود الدوران.

٤. قم بتثبيت القابض ذي الحجم المناسب بالكامل في عمود الدوران وأعد تركيب صامولة القابض وربطها بأصابعك. لا تحكم ربط الصامولة تمامًا عند عدم تركيب لقمة أو أداة ملحقة.

## تغيير الملحقات

### الصورة ٨

- اضغط على زر قفل عمود الدوران وقم بإدارة عمود الدوران يدويًا حتى يتم تشدق قفل عمود الدوران. لا تقم بتشديد زر قفل عمود الدوران أثناء وجود الأداة متعددة الاستخدامات قيد التشغيل.
  - قم بفك صامولة القابض (ولا تقم بإخراجها) عند تشدق زر قفل عمود الدوران. استخدم مفتاح ربط القابض إذا لزم الأمر.
  - أدخل اللقمة أو ساق الأداة الملحقة بالكامل في القابض.
  - احكم بأصبعك ربط صامولة القابض حتى يمسك القابض باللقمة أو ساق الأداة الملحقة عند تشدق زر قفل عمود الدوران.
- ملاحظة: تأكد من قراءة التعليمات المزودة مع أداة Dremel الملحقة من أجل الحصول على مزيد من المعلومات حول استخدامها.

لا تستخدم إلا الملحقات ذات الأداء العالي التي قامت شركة Dremel بفحصها.

## ضبط اتزان الملحقات

من المهم في أعمال الضبط أن تكون جميع الملحقات في حالة اتزان جيدة (تمامًا كما هو الحال في إطار سيارتك)، لضبط أداة ملحقة وموازنتها، قم بإرخاء صامولة القابض قليلًا وقم بلف الأداة الملحقة أو القابض ربع لفة، وأعد إحكام ربط صامولة القابض أو قم بإدارة الأداة الدوارة، وينبغي أن تكون قادرًا على التعرف عن طريق الصوت واللمس على تشغيل الأداة الملحقة في حالة اتزان، واستمر في الضبط بهذا الشكل حتى يتم الحصول على أفضل اتزان.

## بدء التشغيل

### الاستخدام

تتمثل أول خطوة في استخدام الأداة متعددة الاستخدامات في التعرف على "لمسها". احملها في يدك وأشعر بوزنها واتزانها. وتلمس الطرف المستدق للمبيت. حيث يتيح هذا الطرف المستدق الإمساك بالأداة مثل القلم الرصاص أو القلم الحبر.

أمسك الأداة دائمًا بحيث تكون بعيدة عن وجهك، يمكن أن تتعرض الأدوات الملحقة للتلف أثناء الإمساك بها وقد تطير بعيدًا عند وصولها إلى السرعة.

لا تغط فتحات التهوية بيديك عند الإمساك بالأداة، فقد يتسبب سد فتحات التهوية في ارتفاع سخونة الموتور.

هام! تدرب أولاً على مواد النفايات لمعرفة كيف يقوم الأداء بتنفيذ العمل بسرعة عالية، وتذكر بأن الأداة متعددة الاستخدامات الخاصة بك ستقدم أفضل أداء عن طريق إتاحة السرعة بالإضافة إلى كماليات وملحقات Dremel المناسبة للقيام بأعمالك. ولا تضغط على الأداة أثناء استخدامها إذا كان ذلك ممكنًا. وبدلاً من ذلك، اخفض الأداة الملحقة الدوارة نوعًا ما إلى سطح العمل وانتركها تلمس النقطة التي تريد أن تبدأ منها. وركز على توجيه الأداة من بداية العمل إلى نهايتها عن طريق الضغط بمعدل خفيف جدًا بيديك، واترك الأداة الملحقة تقوم بإنجاز العمل.

من الأفضل عادة أن تقوم بسلسلة من الجولات باستخدام الأداة بدلاً من القيام بالمهمة كلها في جولة واحدة. توفر الممساة المعتدلة أفضل تحكم وتقلل من احتمالية الخطأ.

## الإمساك بالأداة

للحصول على أفضل تحكم في العمل، أمسك الأداة متعددة الاستخدامات مثل القلم الرصاص بين إصبعي الإبهام والسبابة. الصورة ٩

يتم اتباع طريقة إمساك "مضرب العولف" في عمليات التشغيل الأصعب مثل التجليخ أو القطع. الصورة ١٠



## قطعة المقدمة

أقل لتجنب تساقط الأسلاك من الحامل. اترك أداء الأداة ينجز العمل لك عند استخدام إعدادات السرعة المنخفضة. وتعتبر السرعات الأعلى هي الأفضل في حالة الأخشاب الصلبة والمعادن والزجاج، ومن أجل الحفر، والنحت، والقطع، والتوجيه، والتشكيل.

بعض الإرشادات المتعلقة بسرعة الأداة:

- ينبغي قطع البلاستيك والمواد الأخرى التي تنوب عند درجات الحرارة المنخفضة بالسرعات المنخفضة.
- يجب أن تتم عمليات التلميع والصلق والتنظيف بفرشاة سلكية عند سرعات لا تزيد عن ١٥٠٠٠ دورة في الدقيقة لمنع إتلاف الفرشاة والمواد.
- ينبغي قطع الخشب باستخدام سرعة عالية.
- ينبغي قطع الحديد أو الفولاذ باستخدام سرعة عالية.
- في حالة بدء أداة قطع الفولاذ ذات السرعة العالية بالاهتزاز، فيشير ذلك عادة إلى تشغيلها بسرعة منخفضة جدًا.
- يمكن قطع الألمونيوم والسيانك النحاسية وسيانك الرصاص وسيانك الزنك والقصدير عند سرعات متباينة، وذلك وفقًا لنوع القطع الذي تقوم به. واستخدم البارافين (وليس الماء) أو أي مادة تزييلق أخرى مناسبة على القاطع لمنع التصاق مادة القطع بسن القاطع.

ملاحظة: زيادة الضغط على الأداة ليست هي الحل عند عدم التشغيل بالشكل المناسب. وقم بتجريب أداة ملحقه مختلفة أو إعداد سرعة مختلف للوصل إلى النتيجة المطلوبة.

## الصيانة

قد يؤدي إجراء الصيانة الوقائية بمعرفة أفراد غير معتمدين إلى وضع الأسلاك والمكونات الداخلية في غير موضعها الصحيح مما قد يتسبب في خطر بالغ، ونوصي بأن يتم إجراء جميع عمليات صيانة الأداة بمعرفة وحدة صيانة Dremel. وقم دائمًا بإخراج القابض من منفذ الحائط قبل إجراء الصيانة أو التنظيف لتجنب الإصابة نتيجة بدء التشغيل المفاجئ أو الصدمة الكهربائية.

## التنظيف

**تحذير** قم دائمًا بفصل الأداة و/أو الشاحن من مصدر الطاقة قبل التنظيف تجنبًا لوقوع حوادث. يمكن تنظيف الأداة تنظيفًا بشكل أكثر فعالية باستخدام الهواء الجاف المضغوط. ارتد دائمًا نظائير الأمان عند تنظيف الأدوات باستخدام الهواء المضغوط.

يجب الحفاظ على نظافة فتحات التهوية وأذرع المفتاح وخلوها من المواد الغريبة. ولا تحاول أن تقوم بتنظيف الأداة عن طريق إدخال أشياء مستدقة الطرف عبر إحدى الفتحات.

**تحذير** مواد تنظيف ومذيبات معينة تتلف الأجزاء البلاستيكية. يمثّل بعضها فيما يلي: البنزين، رباعي كلوريد الكربون، مذيبات التنظيف المكلورة، الأمونيا، المنظفات المنزلية التي تحتوي على الأمونيا.

## الخدمة والضمان

**تحذير** لا توجد بداخل الأداة أجزاء يقوم المستخدم بصيانتها. قد يؤدي إجراء الصيانة الوقائية بمعرفة أفراد غير معتمدين إلى توصيل الأسلاك والمكونات الداخلية في غير موضعها

تتوفر قطعة المقدمة على نحو منفصل لتسهيل القيام بالمهام الدقيقة. تتميز الأداة بشكلها الثلاثي الذي يتيح للمستخدم إمكانية الضغط على قطعة المقدمة بين أصبعي الإبهام والسبابة دون عناء. كما تتميز القطعة ذات الشكل الانسيابي بتوفير مستوى رؤية ممتاز للقيام بأعمال الحفر والنحت والتفتيش ذات التفاصيل الكثيرة. لا تتوفر قطعة المقدمة في جميع الأطقم. الصورة ١١

## سرعات التشغيل

استخدم قطعة من المادة للتدريب كي تحدد السرعة المناسبة لكل مهمة.

### مفتاح "التشغيل/إيقاف التشغيل" المنزلق

يتم "تشغيل" الأداة عن طريق المفتح المنزلق الموجود في الجانب العلوي من مبيت الموتور. "التشغيل" الأداة، قم بتحريك زر المفتح إلى الأمام. "إيقاف تشغيل" الأداة، قم بتحريك زر المفتح إلى الخلف.

### الموتور عالي الأداء

تم تزويد الأداة بموتور عال الأداء للدواة. ويزيد هذا الموتور من تعددية استخدام الأداة الدواة عن طريق تشغيل ملحقات إضافية من Dremel.

### نظام الملاحظات الإلكترونية

يتم تزويد الأداة الخاصة بك بنظام داخلي للملاحظات الإلكترونية والذي يوفر "بداية التشغيل بكمية محدودة من التيار الكهربائي" والتي تقلل من الضغط الواقعة بسبب بدء التشغيل بعزم مرتفع. كما يساعد هذا النظام في الاحتفاظ بالثبات الفعلي للسرعة المحددة مسبقًا بين ظروف التحميل وعدم التحميل.

### قرص السرعات المتفاوتة

تم تزويد الأداة بقرص للسرعات المتفاوتة. ويمكن ضبط السرعة أثناء التشغيل عن طريق الضبط المسبق للقرص على أي إعداد من الإعدادات أو بين أي منها.

يتم التحكم في سرعة الأداة الدواة عن طريق ضبط هذا القرص الدوار الموجود على المبيت. الصورة ١٢

### الإعدادات الخاصة بالدورات التقريبية

ضبط المفتاح	نطاق السرعة
٥	٥٠٠٠ دورة في الدقيقة
١٠	١٠٠٠٠ دورة في الدقيقة
١٥*	١٥٠٠٠ دورة في الدقيقة
٢٠	٢٠٠٠٠ دورة في الدقيقة
٢٥	٢٥٠٠٠ دورة في الدقيقة
٣٠	٣٠٠٠٠ دورة في الدقيقة
٣٥	٣٥٠٠٠ دورة في الدقيقة

\* لا تتجاوز سرعة ١٥٠٠٠ دورة في الدقيقة عند استخدام الفرشاة السلكية.

ارجع إلى جدول إعدادات السرعة في الصفحات ٧-٤ للمساعدة في تحديد السرعة المناسبة للمادة التي يتم العمل فيها والأداة الملحقه التي سيتم استخدامها.

يمكن إنجاز معظم المهام باستخدام الأداة وهي في أعلى ضبط. وعلى الرغم من ذلك، قد تتلف بعض المواد (بعض المواد البلاستيكية والمعادن) بسبب الحرارة المتولدة نتيجة السرعة العالية وينبغي العمل فيها بسرعات منخفضة نسبيًا. يعتبر التشغيل منخفض السرعة (١٥٠٠٠ دورة في الدقيقة أو أقل) هو الأفضل عادة لعمليات الصقل التي تعمل باستخدام الأدوات الملحقه للصقل الأملس. وتتلائم جميع تطبيقات التنظيف باستخدام الفرشاة سرعات تشغيل

الصحيح مما قد يتسبب في خطر بالغ. ونوصي بأن تتم جميع عمليات صيانة الأداة بمعرفة مركز صيانة *Dremel*. رجال الصيانة: افصل الأداة و/أو الشاحن من مصدر الطاقة قبل القيام بالصيانة.

يتم ضمان منتج DREMEL هذا بما يتفق مع اللوائح الإلزامية/المخصصة للدولة، ويستثنى من هذا الضمان التلف الناجم عن اليبي والتآكل العادي أو زيادة الحمل أو التعامل الخاطى.

في حالة وجود شكوى، أرسل الأداة أو الشاحن دون تفكيك وحجة الشراء إلى الوكيل.

---

### معلومات الاتصال بشركة DREMEL

انتقل إلى [www.dremel.com](http://www.dremel.com) للحصول على مزيد من المعلومات عن نطاق الإنتاج، والدعم، والخط الساخن الخاص بشركة *Dremel*.

Dremel Europe, P.O. Box 3267, 4800 DG Breda, The Netherlands



**Dremel Europe  
The Netherlands**