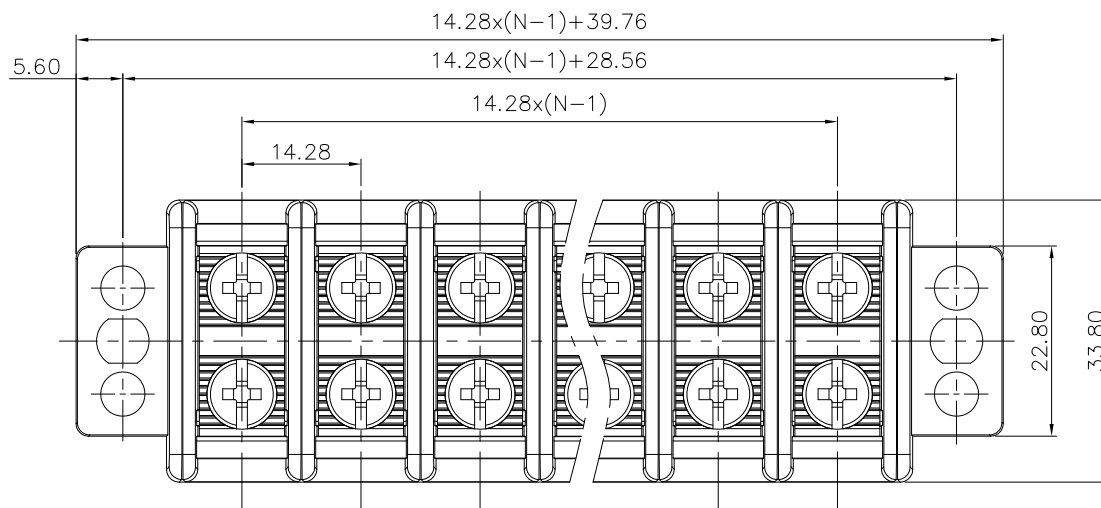


REVISION RECORD				
REV	ECN	DESCRIPTION	DRFT	DATE



NOTES1:

UL Standard

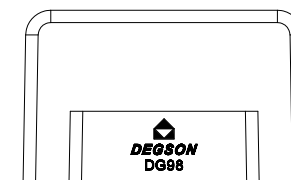
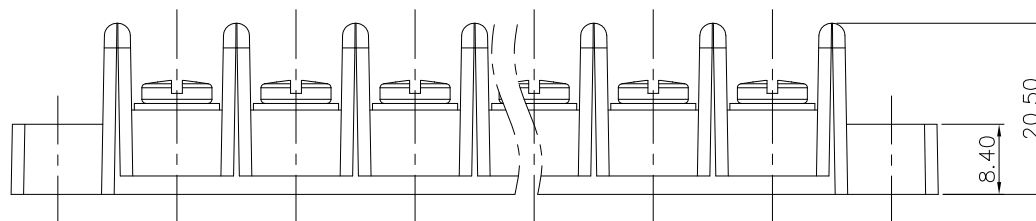
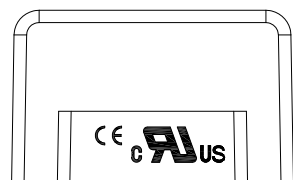
1. Rated voltage/current : 600V / 30A
2. Torque value : M4 , 10.53Lb.in
3. Wire range : 22~10AWG

NOTES2:

1. Dimension shall be interpreted per ASME Y14.5-2009
2. Pitch : 14.28mm, Poles : N=02~13P
3. Withstanding voltage : AC2200V/1Min
4. Operating temperature : -40°C~+125°C
5. Undimensioned tolerances:

Pitch Range In mm		Nominal Dimension Range In mm					□	∩	∠
TO	Over	Over	Over	Over	Over	TO	TO	TO	
6	10	10	30	60	100	150	0.1/10	<	
±0.15	±0.20	±0.30	±0.30	±0.50	±0.70	±1.00	±1.30	±2°	

6. RoHS Compliance



DG98-A - XXP - 1Y - 00A (H)
 (Series No.)(Poles)(Single Pitch) (Color):1.(Grey)
 2.(Blue)
 3.(Black)
 4.(Green)
 5.(Orange)
 6.(Red)
 7.(Transparent)
 8.(Yellow)
 9.(White)
 (RoHS)
 00A-(Standard)

DETACHED LISTS	PART NO.:	宁波高松电子有限公司 NINGBO DEGSON ELECTRICAL CO., LTD		
	APPD:	NAME: DG98-A-XXP-1Y-00A (H)		
	CHKD:	TITLE: CUSTOMER DRAWING		REV: /
	DRFT:	DRAWING NO.:		DO
THIRD ANGLE PROJECTION		MM (INCH)	DO NOT SCALE DRAWING	SHEET 1/1
			SCALE	1:1