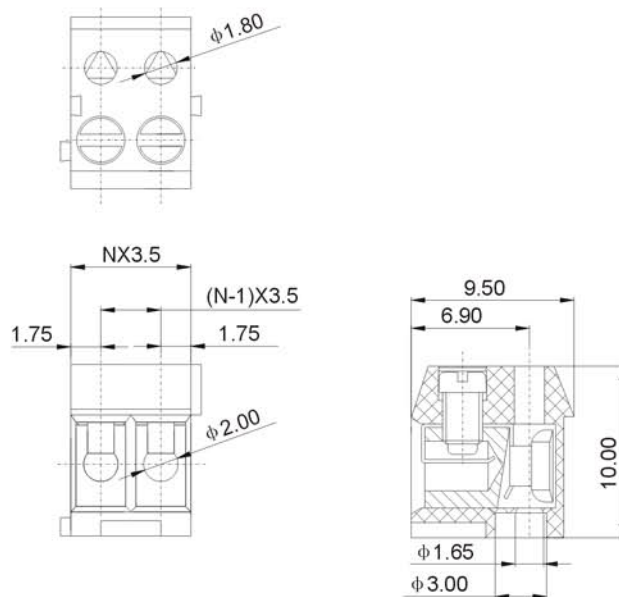




# DEGSON ELECTRONICS CO., LTD.

## Product Specification



Material	
Screws :	M2 steel Zinc plated
Wire guard:	Phosphor bronze, Ni plated
Contact :	Brass, Tin plated
Housing :	PBT, UL94V-0
Electrical	
Rated voltage :	300V
Rated current :	10A
Contact resistance :	20m $\Omega$
Insulation resistance :	5000M $\Omega$ /DC 1000V
Withstanding voltage:	AC2000V/1Min
Wire range :	28-18AWG 1.0mm <sup>2</sup>
Mechanical	
Temp. Range :	-30°C~+120°C
Torque :	0.2Nm(1.7lb.in)
Strip length :	4.5-5mm

### HOW TO ORDER:

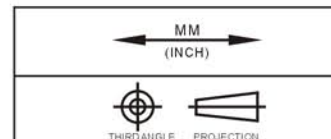


Series No.

No of Pole

Color

1 Gray	4 Green	7 Trans- parent
2 Blue	5 Orange	8 Yellow
3 Black	6 Red	9 White



DEGSON ELECTRONICS CO., LTD.

NAME

**DG333K-3.5**