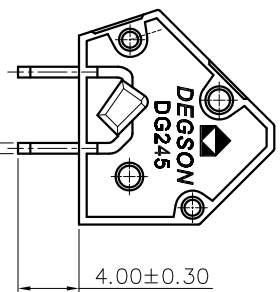
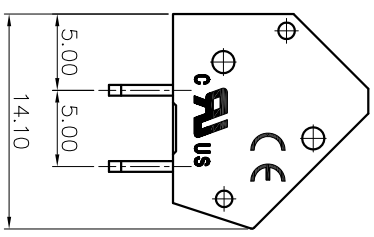
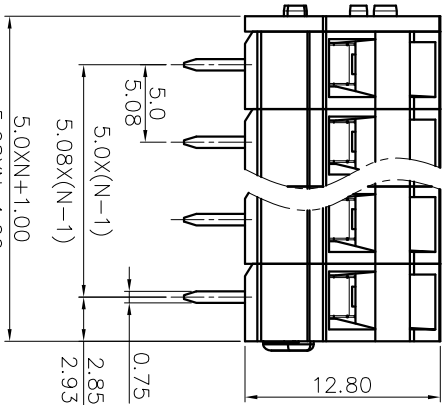
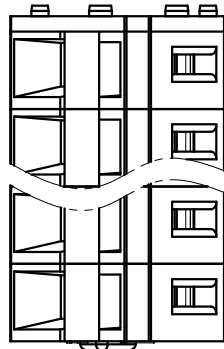


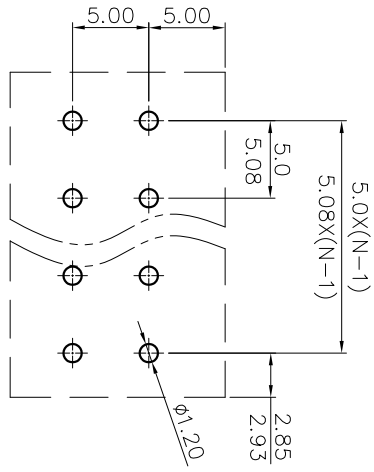
REVISION RECORD			
REV	ECN	DESCRIPTION	DRFT DATE



- NOTES1:  
UL Standard  
1. Rated voltage/current : 300V / 15A  
2. Withstanding voltage : AC1600V/1Min.  
3. Wire range : 28~12AWG  
IEC Standard  
1. Pollution degree 2 2 3  
Overvoltage category II III III  
Rate impulse voltage(kV) 4.0KV 4.0KV 4.0KV  
Rate voltage(V) 630V / 320V / 320V  
Rate current(A) 17A
2. Wire range : 0.2~2.5mm<sup>2</sup>

- NOTES2:  
1. Dimension shall be interpreted per ASME Y14.5-2009  
2. Pitch : 5.0/5.08mm, Poles : N=01~XXP  
3. Stripping length : 5~6mm  
4. Operating temperature: -40°C~+105°C  
5. Undimensioned tolerances:  
6. RoHS Compliance

Pitch range in mm	Nominal dimension range		mm
	Over	Over	
6 TO 10	10	60	0.1/10
10 TO 24	10	100	∠
30 TO 60	30	150	∠
60 TO 100	60	100	∠
100 TO 150	100	150	∠
150 TO 200	150	200	∠
200 TO 250	200	250	∠



DG245 - 5.0/5.08 - XXP - 1Y - 00A (H)  
(Series No.) (Pitch) (Poles) (Single Pitch) (Color) :1 (Grey)  
(RoHS)  
2. (Blue)  
3. (Black)  
4. (Green)  
5. (Orange)  
6. (Red)  
7. (Transparent)  
8. (Yellow)  
9. (White)

DETACHED LISTS			
PART NO.:	/	NAME:	DEGSON <sup>®</sup> NINGBO DEGSON ELECTRICAL CO., LTD 宁波高松电子有限公司
APPD:	/	CHKD:	/
DRFT:	/	TITLE:	CUSTOMER DRAWING
THIRD ANGLE PROJECTION		DRAWING NO.:	/
		DO NOT SCALE DRAWING	SCALE
	1:1		1:1

A 8 7 6 5 4 3 2 1