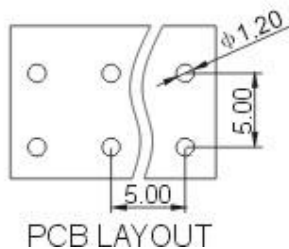
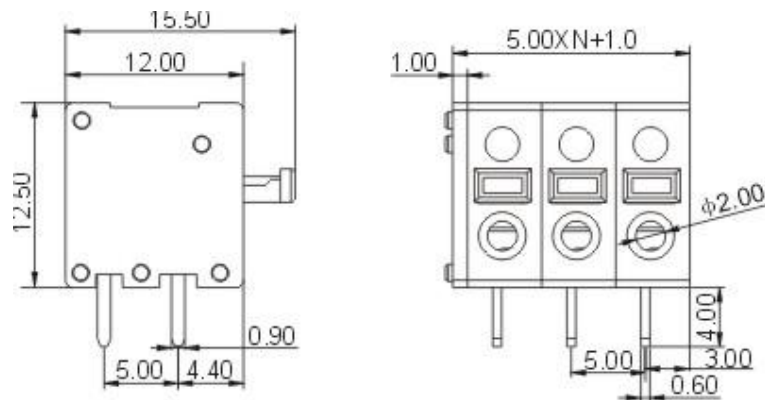
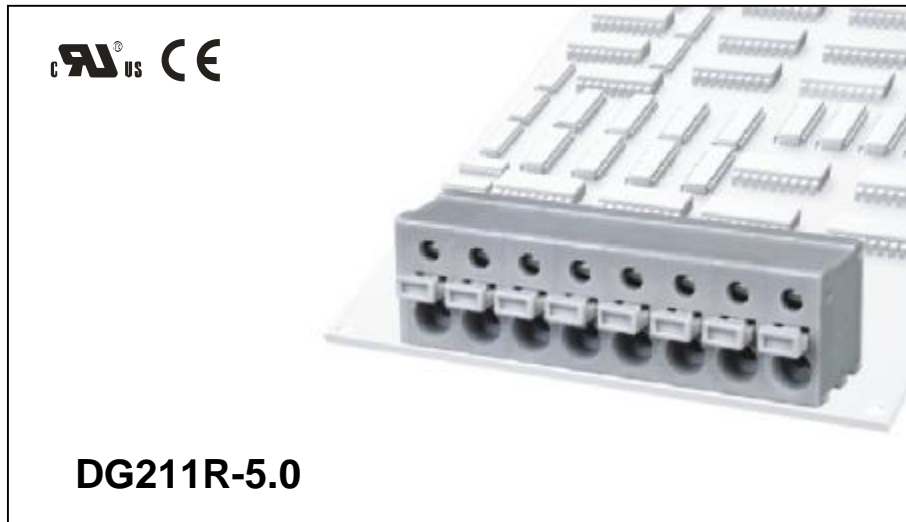




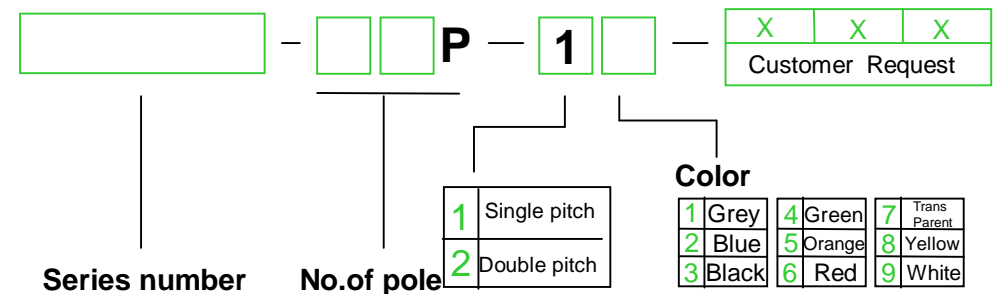
# DEGSON ELECTRONICS CO., LTD.

## Product Specification



<b>Approval</b>	UL US	CE
<b>Electrical</b>		
<b>Standard</b>	UL	IEC
Rated voltage	300V	250V
Rated current	8A	10A
Wire range	26-16AWG	1.5mm <sup>2</sup>
Withstanding voltage	AC2000V/1Min	
<b>Mechanical</b>		
Ambient temperature	-40°C ~ +105 °C	
Strip length	8-9mm	
<b>Dimensions</b>		
Pitch	5.0mm (.197" )	
Poles	1P-XXP	
<b>Material</b>		
Housing	PA66,UL94V-0	
Pin header	Brass,Tin plated	
Wire guard	Stainless steel	

### HOW TO ORDER :



mm (INCH)	DEGSON ELECTRONICS CO., LTD.
THROANGLE PROJECTION	NAME <b>DG211R-5.0</b>