

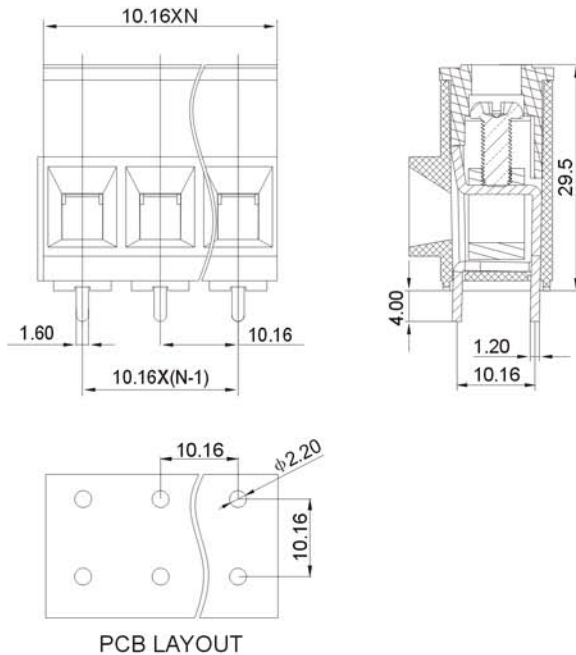


DEGSON ELECTRONICS CO., LTD.

Product Specification



DG135T-10.16



Material	
Screws :	M4 steel Zinc plated
Pin header:	Copper, Tin plated
Housing :	PA66, UL94V-0
Electrical	
Rated voltage :	300V
Rated current :	52A
Contact resistance :	20mΩ
Insulation resistance :	5000MΩ /DC1000V
Withstanding voltage:	AC3000V/1Min
Wire range :	20-6AWG 10.0mm ²
Mechanical	
Temp. Range :	-40°C~+105°C
Torque :	1.2Nm(10.6lb.in)
Strip length :	10mm

HOW TO ORDER:

DG135T-10.16 - **P** - -

X	X	X
---	---	---

Customer Request

Color

1 Gray	4 Green	7 Trans- parent
2 Blue	5 Orange	8 Yellow
3 Black	6 Red	9 White

Series No. **No of Pole** **Color**

	DEGSON ELECTRONICS CO., LTD.
	NAME DG135T-10.16