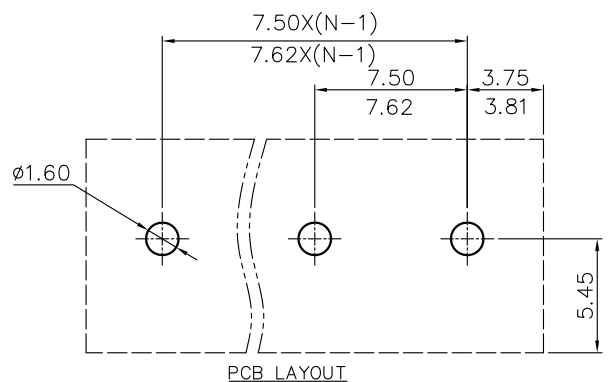
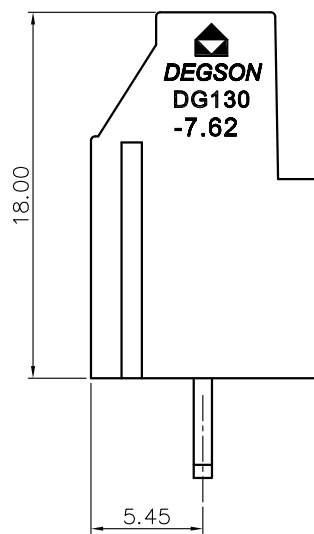
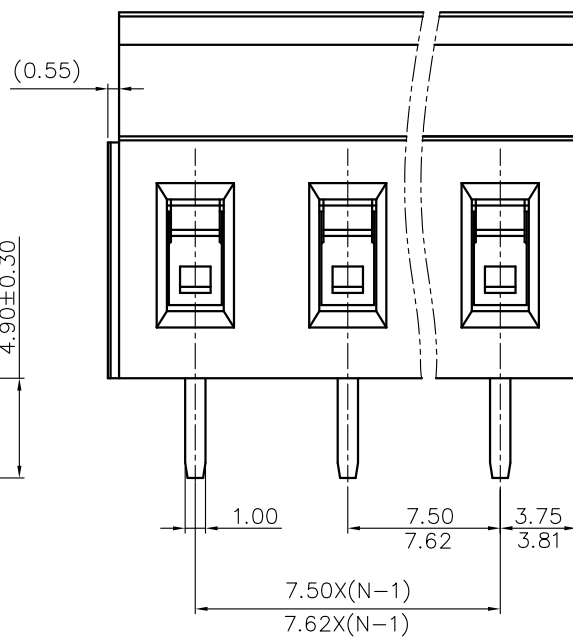
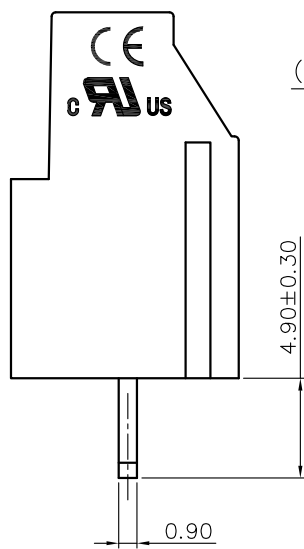
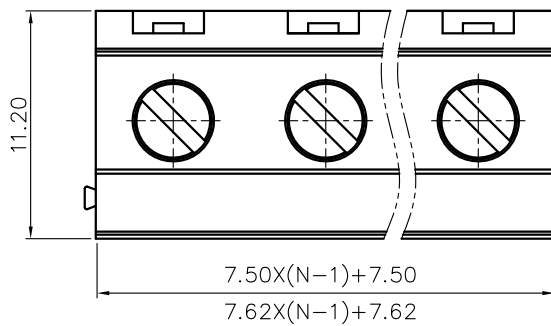


REVISION RECORD				
REV	ECN	DESCRIPTION	DRFT	DATE



- NOTES1:
- UL Standard
 - 1.Rated voltage/current : 300V / 20A
 - 2.Torque value : M3 , 4.43Lb.in
 - 3.Wire range : 26~12AWG
- IEC Standard
- 1.Rated voltage/current : 450V / 20A
 - 2.Torque value : M3 , 0.5N·m
 - 3.Wire range : 0.5~2.5mm²

- NOTES2:
- Dimension shall be interpreted per ASME Y14.5-2009
 - Pitch : 7.50/7.62mm, Poles : N=02~24P
 - Stripping length : 6~7mm
 - Withstanding voltage : AC2000V/1Min.
 - Operating temperature : -40°C~+105°C
 - Undimensioned tolerances:

Pitch range in mm		Nominal dimension range in mm					
TO	Over	TO	Over	TO	Over	TO	Over
6	6	10	30	60	100	150	150
6	10	24	60	100	150	150	150
±0.15	±0.20	±0.30	±0.30	±0.50	±0.70	±1.00	±1.30
							0.1/10
							<
							±2'

7.RoHS Compliance

DG130 - 7.5/7.62 - XXP - 1Y - 00A (H)

(Series No.) (Pitch) (Poles) (Single Pitch) (RoHS) 00A-(Standard)

(Color):1.(Grey) 2.(Blue) 3.(Black) 4.(Green) 5.(Orange) 6.(Red) 7.(Transparent) 8.(Yellow) 9.(White)

DETACHED LISTS	PART NO.:	NINGBO DEGSON ELECTRICAL CO., LTD			
	APPD:	NAME: DG130-7.5/7.62-XXP-1Y-00A(H)			
	CHKD:	TITLE: CUSTOMER DRAWING			
	DRFT:	DRAWING NO.:		REV	D0
THIRD ANGLE PROJECTION		MM (INCH)	DO NOT SCALE DRAWING	SHEET 1/1	SCALE 1:1