
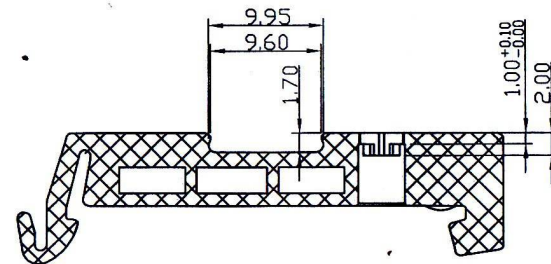
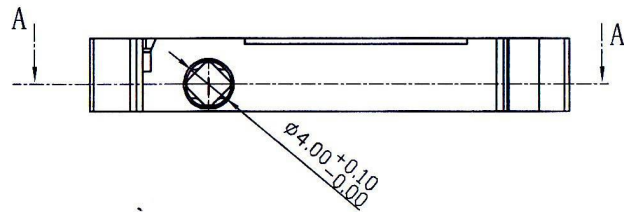
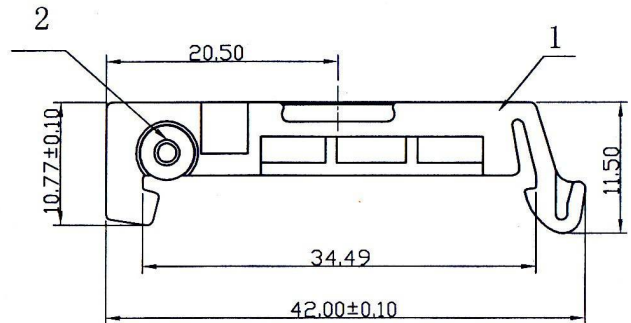
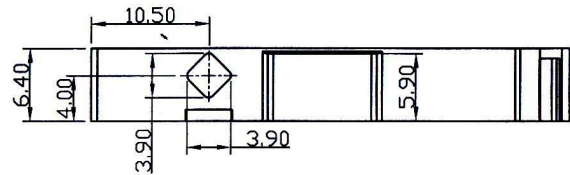


REVISION RECORD				
REV	ECO	DESCRIPTION	DRFT	DATE

仅供参考图

签字: 

日期: 12/1/14



SECTION A-A

Notes:

- 1.Operation temperatures: -40°C~+105°C
- 2.Undimensioned Tolerances:

Pitch range in mm			Nominal dimension range in mm					—
to	over	over	to	over	over	over	over	∩
6	6	10	30	30	60	100	150	◇
6	10	24	30	60	100	150		
±0.10	±0.15	±0.25	±0.2	±0.3	±0.5	±0.7	±1.0	0.05/10

2	E-WS Stator	S000003350 (H)	Stainless steel													
1	DG016-HOUSING	1334A0Y01D (H)	PA66	UL94V-0												
ITEM	NAME OF PART	NO. OF PART	Q'TY	MAJERIAL	NOTES											
<table border="1"> <tr> <td>MM (INCH)</td> <td>DFTD PENNY</td> <td>DATE 06/05/12</td> </tr> <tr> <td>TOLERANCES EXCEPT AS NOTED</td> <td>CHKD</td> <td>DATE</td> </tr> <tr> <td></td> <td>MFD</td> <td>DATE</td> </tr> <tr> <td></td> <td>APPL</td> <td>DATE</td> </tr> </table>		MM (INCH)	DFTD PENNY	DATE 06/05/12	TOLERANCES EXCEPT AS NOTED	CHKD	DATE		MFD	DATE		APPL	DATE	宁波高正电子有限公司 DEGSON ® DEGSON ELECTRONICS CO., LTD		
MM (INCH)	DFTD PENNY	DATE 06/05/12														
TOLERANCES EXCEPT AS NOTED	CHKD	DATE														
	MFD	DATE														
	APPL	DATE														
NAME DG016-01P-1Y-00A		DRAWING NO. DG016-E01 /PART NO.														
ANGLES ± 1° FINISH: THIRD ANGLE PROJECTION		G.E : DO NOT SCALE DRAWING SHEET 1 OF 1														