

REVISION RECORD				
REV	ECN	DESCRIPTION	DRFT	DATE

Technical characteristics:

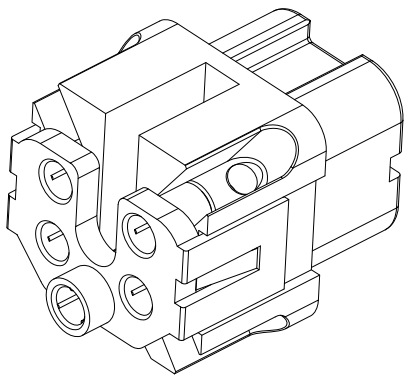
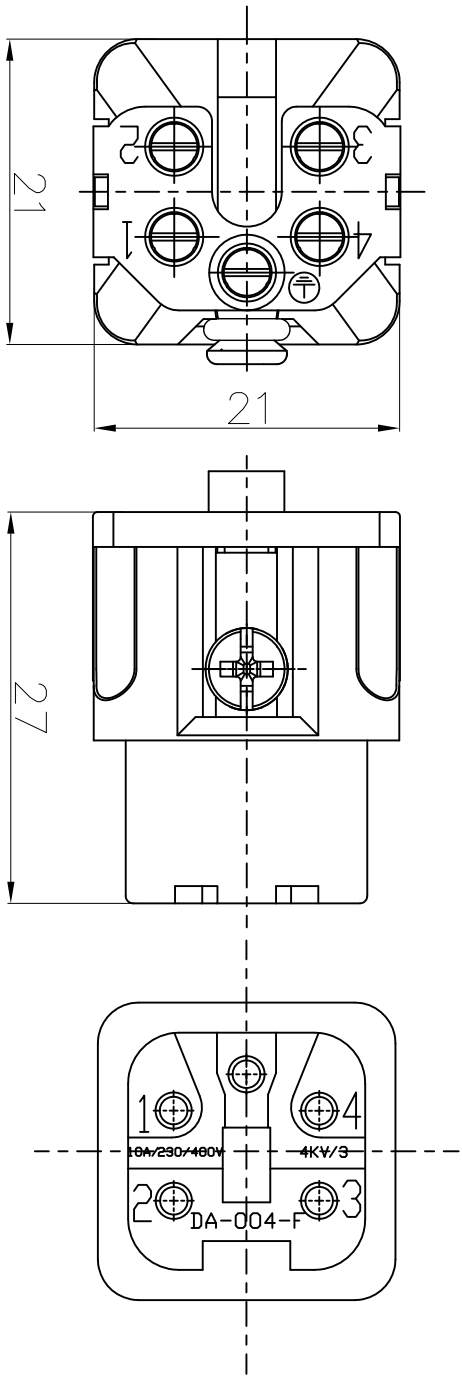
Specifications
 DIN EN 60 664-1
 DIN EN 61 984

Inserts

- 01. Number of contacts : 4+PE
- 02. Rated Current : 10A
- 03. Rated Voltage conductor-ground : 230V
- 04. Rated Voltage conductor-conductor : 400V
- 05. Pollution degree : 3
- 06. Rated impulse voltage : 4kV
- 07. or: 10A/250V/4kV/3
- 08. Insulation resistance : $\geq 10 \Omega^{10}$
- 09. Material: Polycarbonate
- 10. Rated voltage acc. to UL/CSA: 600V
- 11. limiting temperatures : -40°C ~ +125°C
- 12. Flammability acc. to UL94: V0
- 13. Mechanical working life (mating cycles) : ≥ 500

Contacts

- 01. Material: Copper alloy
- 02. Surface: hard-silver plated
- 03. Contact resistance : $\leq 2m\Omega$
- 04. Terminal : Screw terminal
- 05. Wire gauge : 1.0-2.5mm² (AWG 18-14)
- 06. Tightening torque : 0.25Nm
- 07. Stripping length : 4.5mm
- 08. Robs Compliance



DETACHED LISTS			
PART NO.:	DEGSON 宁波高松电子有限公司 NINGBO DEGSON ELECTRICAL CO., LTD		
APPD:	NAME: DA-004-F		
CHKD:	TITLE: CUSTOMER DRAWING		
DRFT: Mr. Yang 2016.06.16	DRAWING NO.:	REV	DO-1
THIRD ANGLE PROJECTION	DO NOT SCALE DRAWING	SHEET	1/1
	SCALE	2:1	

A 8 7 6 5 4 3 2 1