

# DIN41612 R TYPE MALE (3ROW 180°)

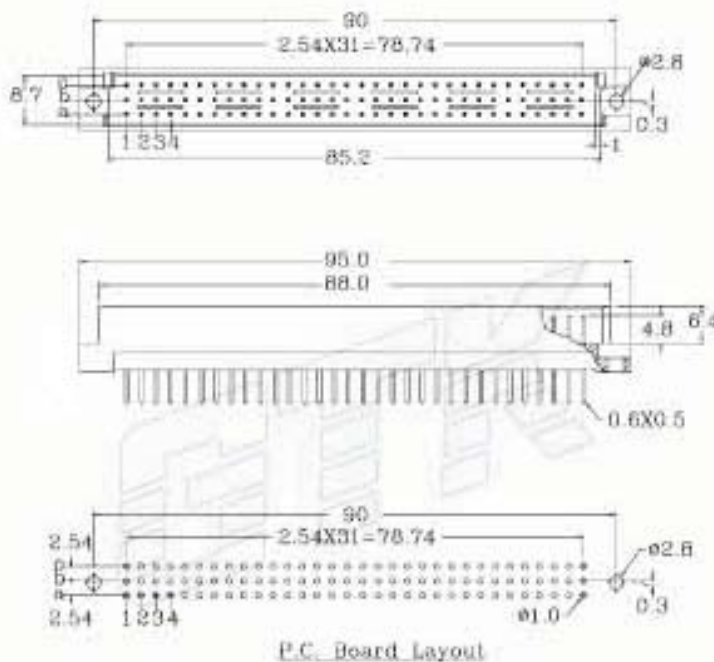


## MATERIAL

- \*Housing : 30% Glass Filled PBT UL94V-0.
- \*Contact : Brass.

## SPECIFICATION

- \*Current Rating : 2 AMP.
- \*Dielectric Withstanding Voltage : AC 1000V For 1 minute.
- \*Insulator Resistance : 1000M  $\Omega$  min. at DC 500V.
- \*Contact Resistance : 30m  $\Omega$  max. at DC 100mA.
- \*Operation Temperature : - 55°C to + 105°C.



UNIT : mm

X length PIN CODE #0	1	2	3	4
	4.0	13	2.5	17
Series	Position	Rows with Contacts	Contact Arrange	
D8 2.54mm	96	a b c	 c b a 1 2 3 4	
	64	a - c	 c b a 1 2 3 4	
	32	a - -	 c b a 1 2 3 4	
D7 5.08mm	48	a b c	 c b a 1 2 3 4	
	32	a - c	 c b a 1 2 3 4	
	16	a - -	 c b a 1 2 3 4	

## Ordering Information

STANDARD DIMENSION : SHOW P/N END TO CODE #6

SPECIAL DIMENSION : KEEP SHOWING CODE #7-8 (PS.標準碼為6碼,第7-8碼視需要加註於標準碼後)

D8	M	96	S	T	1	+	B/L	/	10U
1	2	3	4	5	6	7	8		

### 1.SERIES NO (產品系列)

- D8 = DIN41612 R TYPE PITCH:2.54MM (塑膠三排,PITCH:2.54MM)
- D7 = DIN41612 R TYPE PITCH:5.08MM (塑膠三排,PITCH:5.08MM)

### 2.CONTACT TYPE (連接器類別):

M = MALE (公座)

### 3.POSITION (端子數):

- D8 = 96, 64, 32
- D7 = 48, 32, 16

### 4.SERIES TYPE (產品型式)

S = STRAIGHT TYPE (插板式180°)

### 5.CONTACT PLATED (端子電鍍):

- T = TIN PLATED ON TERMINAL & GOLD PLATED ON CONTACT (半金鍍)
- G = ALL GOLD PLATED (全金)

### 6.PIN TYPE (端子型式):

- 1 = DIP TYPE LENGTH:4.0MM
- 2 = WIRE WRAP TYPE LENGTH:13MM
- 3 = DIP TYPE LENGTH:2.5MM
- 4 = WIRE WRAP TYPE LENGTH:17MM

### 7.PARTS OPTION (附件選擇)

B/L = WITH BOARDLOCK (有魚叉)

### 8.SPECIAL TYPE (特殊規格)

- 10U = 10 $\mu$ " GOLD PLATED ON CONTACT (鍍金10 $\mu$ " )
- PS:STANDARD IS GOLD FLASH BLANK FOR STANDARD (標準品不需標註)