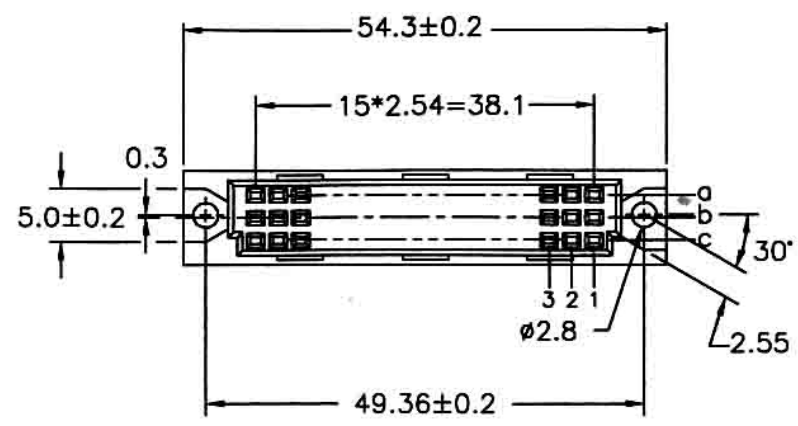


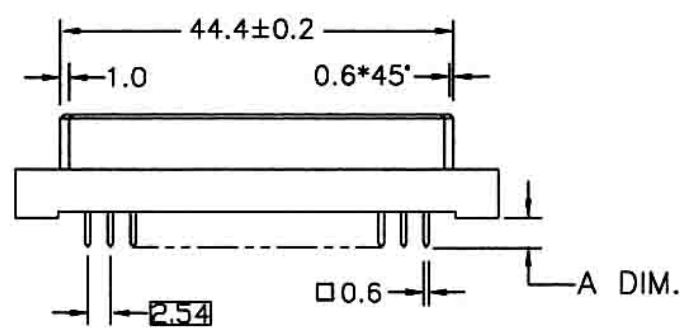
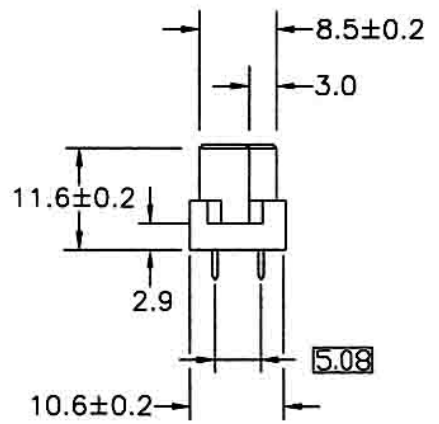
REV.	ECN NO.	DESCRIPTION	DATE
A		REDRAWN	OCT.19'00



CONTACT RESISTANCE: 30mΩ MAX. AT DC 100mA  
 INSULATOR RESISTANCE: 1000MΩ MIN. AT DC 500V  
 CURRENT RATING: 2AMP

DIELECTRIC WITHSTANDING  
 VOLTAGE: 1000V FOR 1 MINUTE  
 OPERATING TEMPERATURE: -55°C ~ +105°C

CONTACT: PHOSPHOR BRONZE  
 INSULATOR: PBT & 30% GLASS FIBER FILLED,  
 UL94 V-0 RATING



D4F32ST2	13.00±0.20	WIRE WRAP
D4F32ST1	3.90±0.20	STRAIGHT SPILL
PART NUMBER	A DIM.	TYPE



TOLERANCE UNLESS OTHERWISE SPECIFIED		PROJECTION			
LINEAR	ANGLE				
X. ±	X° ±	UNITS	TITLE	PART NO.	
.X ±	.X° ±	MM (INCH)	DIN 41612	D4F32ST1(T2)	
.XX ±	.XX° ±	SCALE	32 PIN FEMALE	CUSTOMER P/N	
.XXX ±	.XXX° ±	SIZE	A4	CAD NO.	REV.
APPD. <i>AKU</i>				F:\Drw\SOC\SOC-0022	A
CHKD. <i>AKU</i>					SHEET
DRAW P:AKU	OCT.19.2000				1 of 1

圖面編號: SD0594(1)