

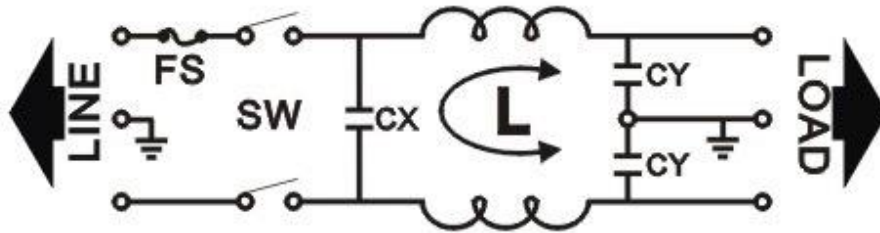
## CW2C-10A-T IEC 10A with fuse and switch

**Type:** CW2C-10A-T

**Specification:** 10A 250V

**Product name:** IEC socket filter

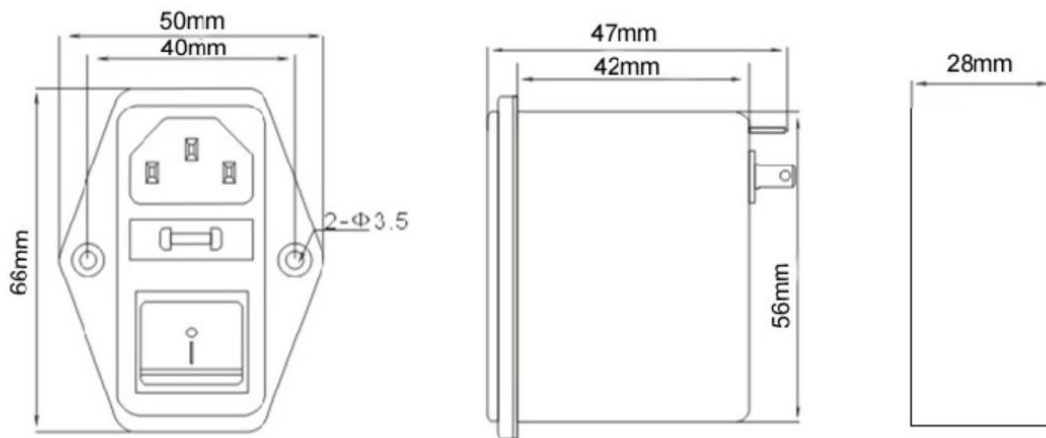
### Product schematic diagram



**FS:** Insurance    **SW:** Switch    **L:** Filter inductor

**CX:** Indicates the safety capacitance    **CY:** Indicates the grounding capacitance

### Product drawing



### Product Photo Show

**EMICORCOM** 安州

