

## LENSE MOUNTS FOR 3mm & 5mm LEDs



U.S. & Foreign Pat. Pend.

### SPECIFICATIONS

**MATERIAL:** Lens - Polycarbonate; Spacer - Polypropylene. (U.L. Listed Materials).

**DESIGN:** Standard and low profile lenses with fresnel rings and striated lines. CLR 301 Low Profile Lens is available without fresnel rings.

**MOUNTING:** Mounts thru front of panel. Mounting holes should be deburred but not chamfered. 3mm (SML 190, SMB 200) mounts in a  $.171 \pm .002$  (4.34mm) hole on 1/4" centers. Panel thickness for SML 190, 1/32" to 1/16"; SMB 200, 1/16" to 1/8". 5mm (CLF 280, CLB 300, CLR 301) mounts in a  $.250 \pm .002$  (6.35mm) hole on 3/8" centers. Panel thickness for CLF 280, 1/16" to 1/8"; CLB 300 and CLR 301, 1/32" to 1/4"; for panels less than 3/16", use SPC 125 spacer. Lens retaining ring - available for added security (RNG 190, 3mm & RNG 268, 5mm)

### ORDERING CODES

#### CLF 280 RTP

MODEL \_\_\_\_\_ COLOR \_\_\_\_\_

SML 190 (3mm) Std. Hgt.  
SMB 200 (3mm) L/Profile  
CLF 280 (5mm) Std. Hgt.  
CLB 300 (5mm) L/Profile  
CLR 301 (5mm) L/P Plain  
SPC 125 (Spacer for CLB 300 and CLR 301)

RTP Red Transparent  
ATP Amber Transparent  
GTP Green Transparent  
BTP Blue Transparent  
YTP Yellow Transparent  
CTP Clear Transparent

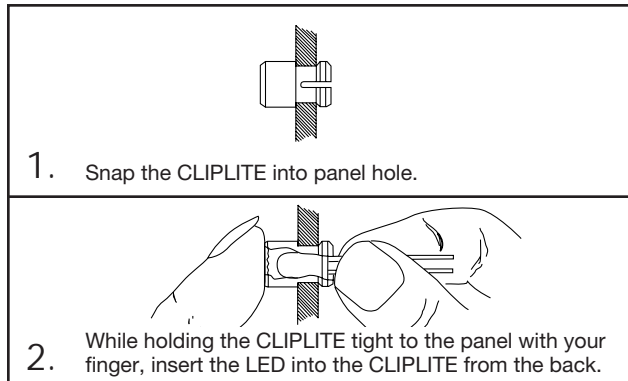
**VISIBILITY** – CLIPLITE produces up to 180 degrees of viewing angle using standard 3mm and 5mm LEDs.

**BRIGHTNESS** – CLIPLITE utilizes striated lines and fresnel rings to increase apparent brightness up to 125% and viewing angle up to 180 degrees with either diffused or nondiffused LEDs. A low profile lens without rings or lines is available for direct sunlight applications.

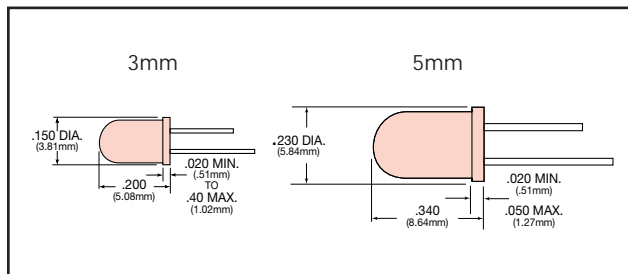
**PROTECTION** – CLIPLITE helps prevent IC failures caused by electrostatic discharge (ESD). Simply walking across a carpet can generate 10,000 volts. Introduction of this ESD thru an exposed panel mounted LED is capable of damaging or destroying a semiconductor. A CLIPLITE mounted LED helps guard components from ESD up to 16 kv while affording the LED physical protection.

**INSTALLATION** – CLIPLITE, standard or low profile, requires no assembly tools; just snap into a panel opening and insert LED. Cost effective operation is complete in only 6 seconds.

### SIMPLE TWO-STEP INSTALLATION

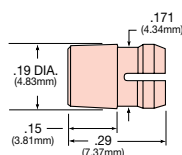


### RECOMMENDED LEDs

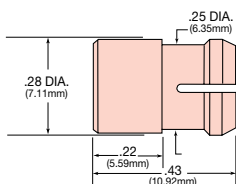


### OUTLINE DRAWINGS

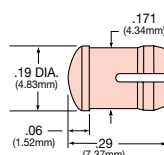
SML 190 (3mm)



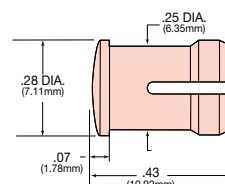
CLF 280 (5mm)



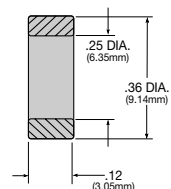
SMB 200 (3mm)



CLB 300/CLR 301 (5mm)

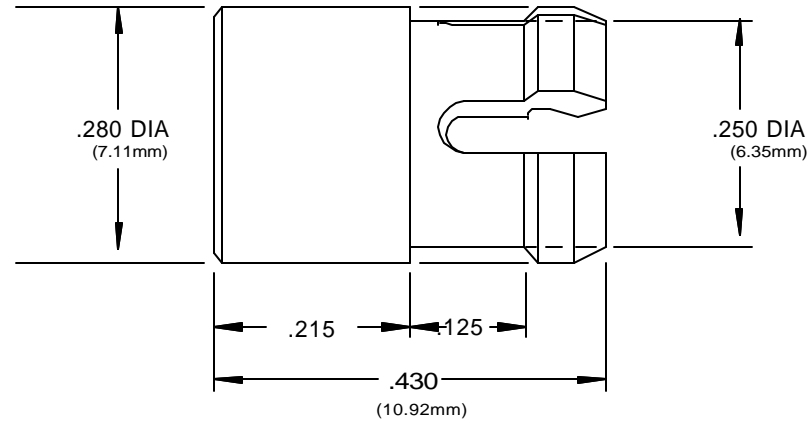
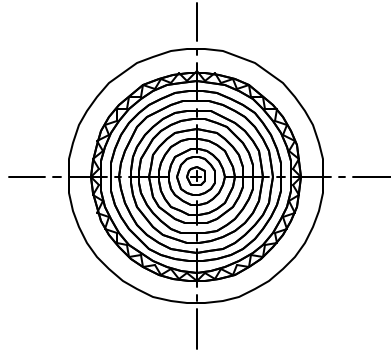


SPC 125 (5mm)

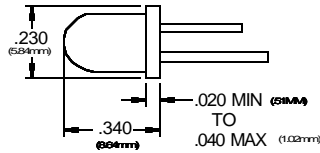




ACTUAL SIZE



RECOMMENDED LED  
SIZE T-1 3/4



ORDERING CODES

MODEL CLF 280 RTP  
COLOR \_\_\_\_\_

RTP Red Transparent      BTP Blue Transparent  
ATP Amber Transparent    YTP Yellow Transparent  
GTP Green Transparent     CTP Clear Transparent

NOTES:

Material: Polycarbonate  
UL Rating: "Thermoplastic material used on a secondary circuit".

Design: Low profile lens using fresnel rings and striated lines.

Mounting: Mounts thru the front of panel. Mounting holes should be deburred but not chamfered.  
Hole size - .250 ±.002 (6.35mm) hole on 3/8" centers  
Panel thickness 1/16" to 1/4"  
For panel less than 3/16", SPC spacer is available  
Standard metal or plastic washer can be used to increase panel thickness if necessary.

U.S. & Foreign Pat. Issued & Pend.

REVISIONS			
NO	DESCRIPTION	DATE	BY
1			
2			
3			
4			
5			

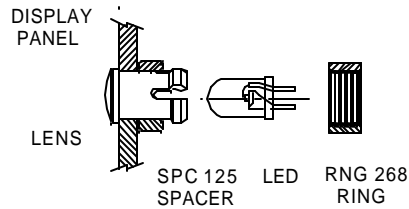
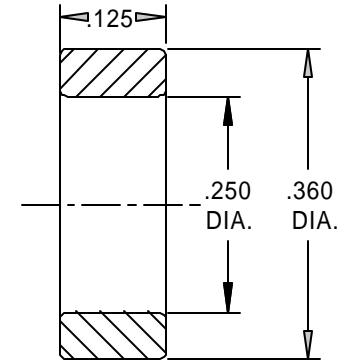
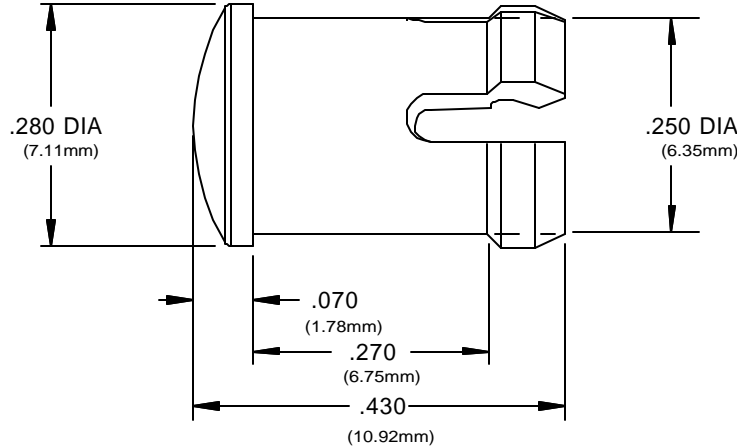
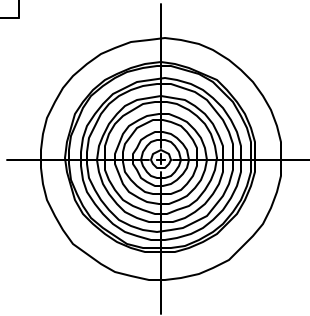
CLIPLITE<sup>®</sup> CLF 280

**VCC** VISUAL COMMUNICATIONS COMPANY, INC.  
7920-F Arjons Drive San Diego, California 92126 U.S.A.  
Phone (858) 549-6900 Fax (858) 549-3520 e-mail vccsales@vcclite.com

TOLERANCES	SCALE	5 X	DATE	10/25/95	DRAWING NO.
DECIMAL ±.010	DIAMETER	.003 TIR	DRAWN BY	JMS	<b>CLF280A</b>
ANGLE ± 30'	RADII	.008 Max	CHK'D		



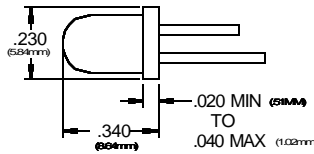
ACTUAL SIZE



**ASSEMBLY**

Insert lens thru a .250" hole \* for thin panels, slide spacer on back of lense \* insert LED into lense \* locking ring for additional security only.

**RECOMMENDED LED SIZE T-1 3/4**



**ORDERING CODES**

MODEL CLB 300 RTP  
 COLOR \_\_\_\_\_

RTP Red Transparent      BTP Blue Transparent  
 ATP Amber Transparent    YTP Yellow Transparent  
 GTP Green Transparent    CTP Clear Transparent

**NOTES:**

Material: Polycarbonate  
 UL Rating: "Thermoplastic material used on a secondary circuit".

Design: Low profile lens using fresnel rings and striated lines.

Mounting: Mounts thru the front of panel. Mounting holes should be deburred but not chamfered.  
 Hole size - .250 ±.002 (6.35mm) hole on 3/8" centers  
 Panel thickness 1/16" to 1/4"

For panel less than 3/16", SPC spacer is available  
 Standard metal or plastic washer can be used to increase panel thickness if necessary.

U.S. & Foreign Pat. Issued & Pend.

REVISIONS			
NO	DESCRIPTION	DATE	BY
1			
2			
3			
4			
5			

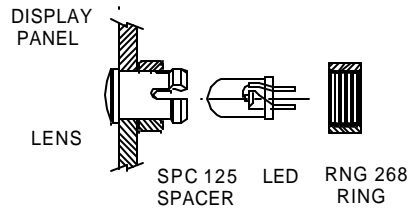
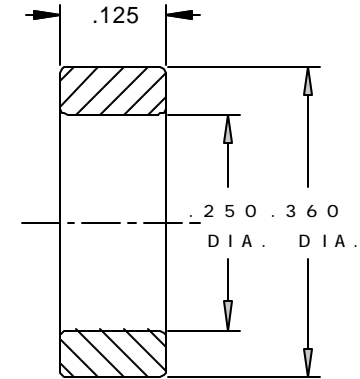
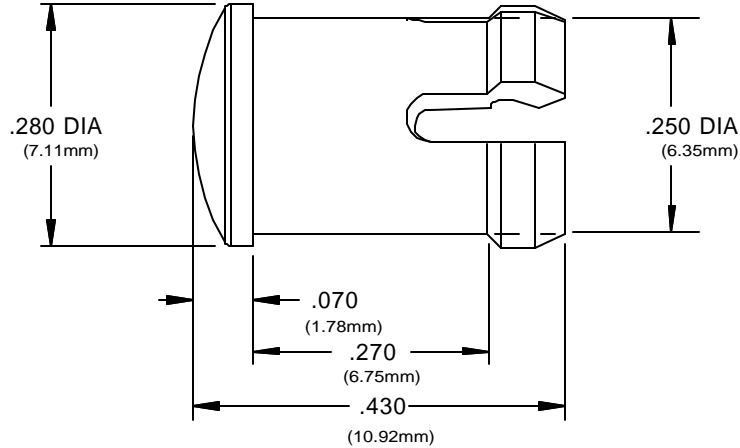
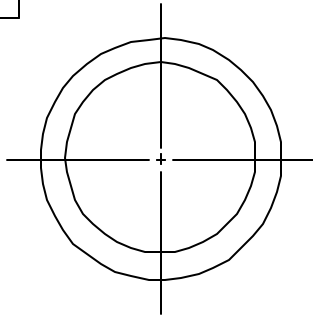
**CLIPLITE<sup>®</sup> CLB 300**

**VCC VISUAL COMMUNICATIONS COMPANY, INC.**  
 7920-F Arjons Drive San Diego, California 92126 U.S.A.  
 Phone (858) 549-6900 Fax (858) 549-3520 e-mail vccsales@vcclite.com

TOLERANCES	SCALE	5 X	DATE	10/25/95	DRAWING NO.
DECIMAL ±.010	DIAMETER	.003 TIR	DRAWN BY	JMS	<b>CLB300A</b>
ANGLE ± 30'	RADII	.008 Max	CHK'D		



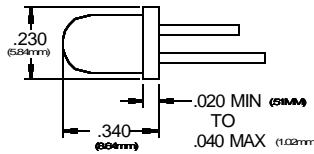
ACTUAL SIZE



**ASSEMBLY**

Insert lens thru a .250" hole \* for thin panels, slide spacer on back of lense \* insert LED into lense \* locking ring for additional security only.

**RECOMMENDED LED SIZE T-1 3/4**



**ORDERING CODES**

MODEL CLR 301 RTP  
 COLOR \_\_\_\_\_

RTP Red Transparent      BTP Blue Transparent  
 ATP Amber Transparent    YTP Yellow Transparent  
 GTP Green Transparent     CTP Clear Transparent

**NOTES:**

Material: Polycarbonate  
 UL Rating: "Thermoplastic material used on a secondary circuit".

Design: Low profile lens using fresnel rings and striated lines.

Mounting: Mounts thru the front of panel. Mounting holes should be deburred but not chamfered.  
 Hole size - .250 ±.002 (6.35mm) hole on 3/8" centers  
 Panel thickness 1/16" to 1/4"  
 For panel less than 3/16", SPC spacer is available  
 Standard metal or plastic washer can be used to increase panel thickness if necessary.

U.S. & Foreign Pat. Issued & Pend.

REVISIONS			
NO	DESCRIPTION	DATE	BY
1			
2			
3			
4			
5			

**CLIPLITE® CLR 301**

**VCC VISUAL COMMUNICATIONS COMPANY, INC.**  
 7920-F Arjons Drive San Diego, California 92126 U.S.A.  
 Phone (858) 549-6900 Fax (858) 549-3520 e-mail vccsales@vccite.com

TOLERANCES	SCALE	5 X	DATE	10/25/95	DRAWING NO.
DECIMAL ±.010	DIAMETER	.003 TIR	DRAWN BY	JMS	<b>CLR301A</b>
ANGLE ± 30'	RADII	.008 Max	CHK'D		