

## 8-Bit WS2812 5050 RGB LED Development Board w/ Full-color Drive

Module: CJMCU-2812-8

### Feature:

Control circuit and RGB chip are integrated in package of 5050 components, from a complete control of pixel point. Built-in signal reshaping circuit, after wave reshaping to the next driver, ensure wave-form distortion not accumulate. Built-in electric reset circuit and power lost reset circuit. Each pixel of the three primary color can achieve 256 brightness display, complete 16777216 color full color display, and scan frequency not less than 400Hz/s. Cascading port transmission signal by single line. Any two point the distance more than 5m transmission signal without any increase circuit. When the refresh rate is 30 fps, low speed model cascade number are not less than 512 points, high speed mode not less than 1024 points. Send data at speeds of 800Kbps.

### The color of the light were highly consistent, cost-effective

R: 620~630nm

G: 515~530nm

B: 465~475nm

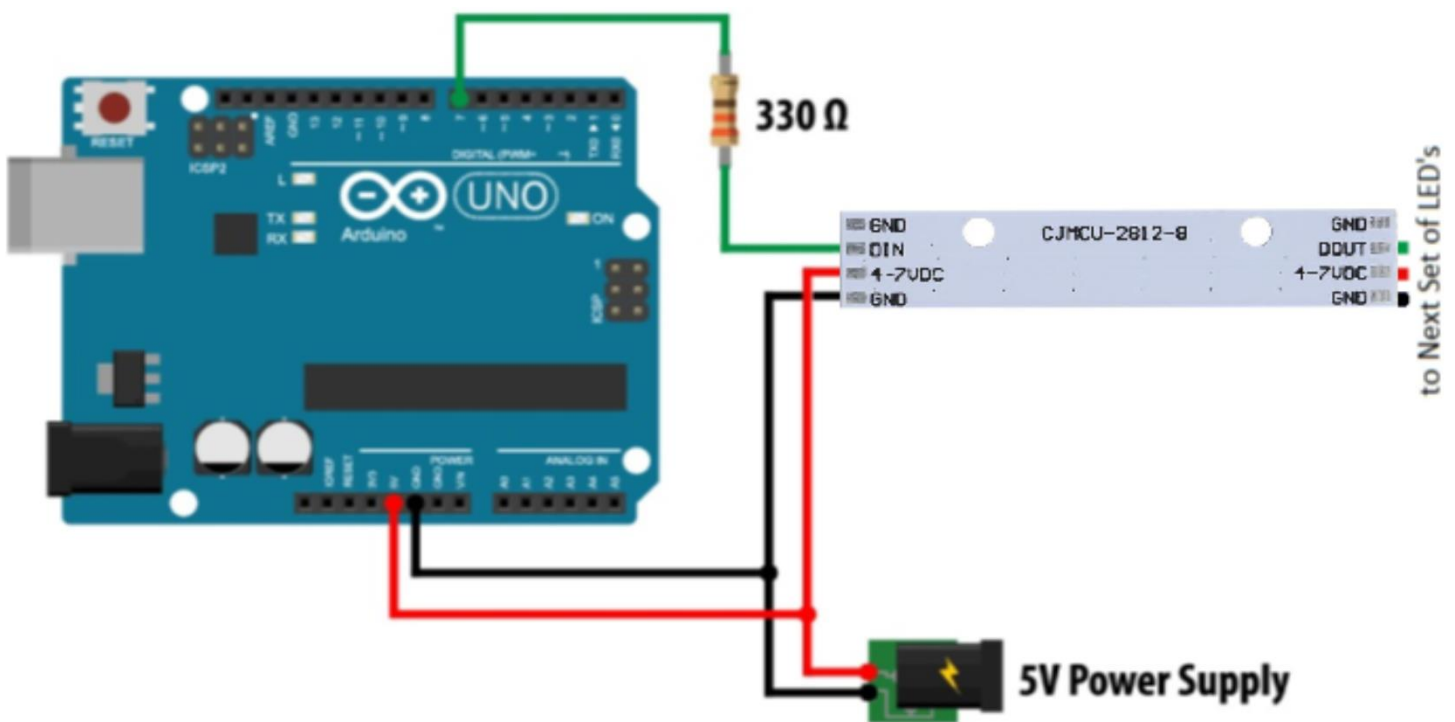
### Connection diagram:

VCC: connect to DC5V

G: connect to GND

DI: connect to data input

DO: connect to data output



Download the example Code and library:

[https://www.mantech.co.za/Datasheets/Products/MD0320\\_KETESTUDIO.zip](https://www.mantech.co.za/Datasheets/Products/MD0320_KETESTUDIO.zip)