

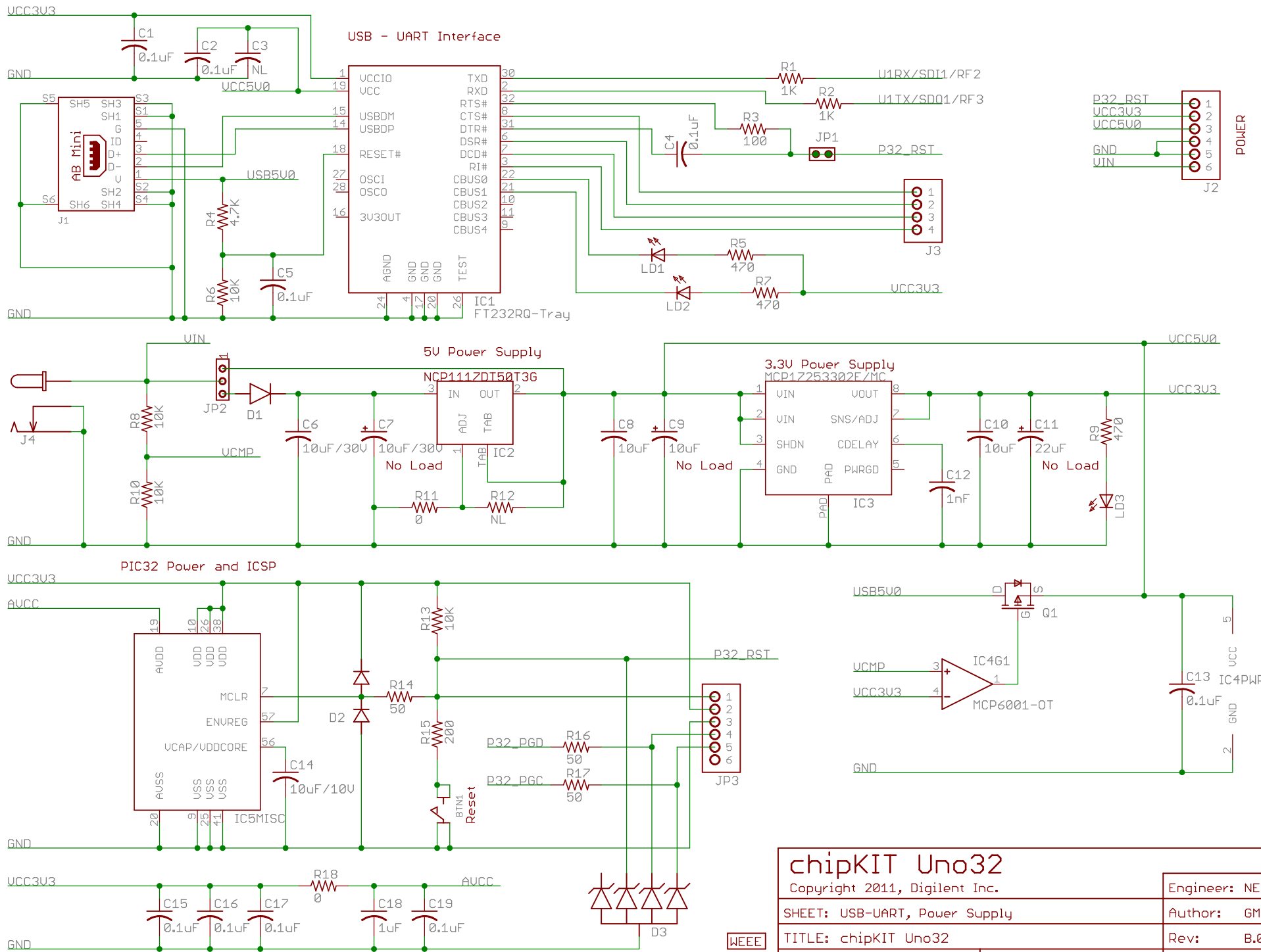
# chipKIT™ Uno32™ Reference Design

Digilent chipKIT hardware files are licensed under the Creative Commons Attribution-ShareAlike license. This license allows for both personal and commercial derivative works, as long as proper credit is given to Digilent and the designs are released under the same license.

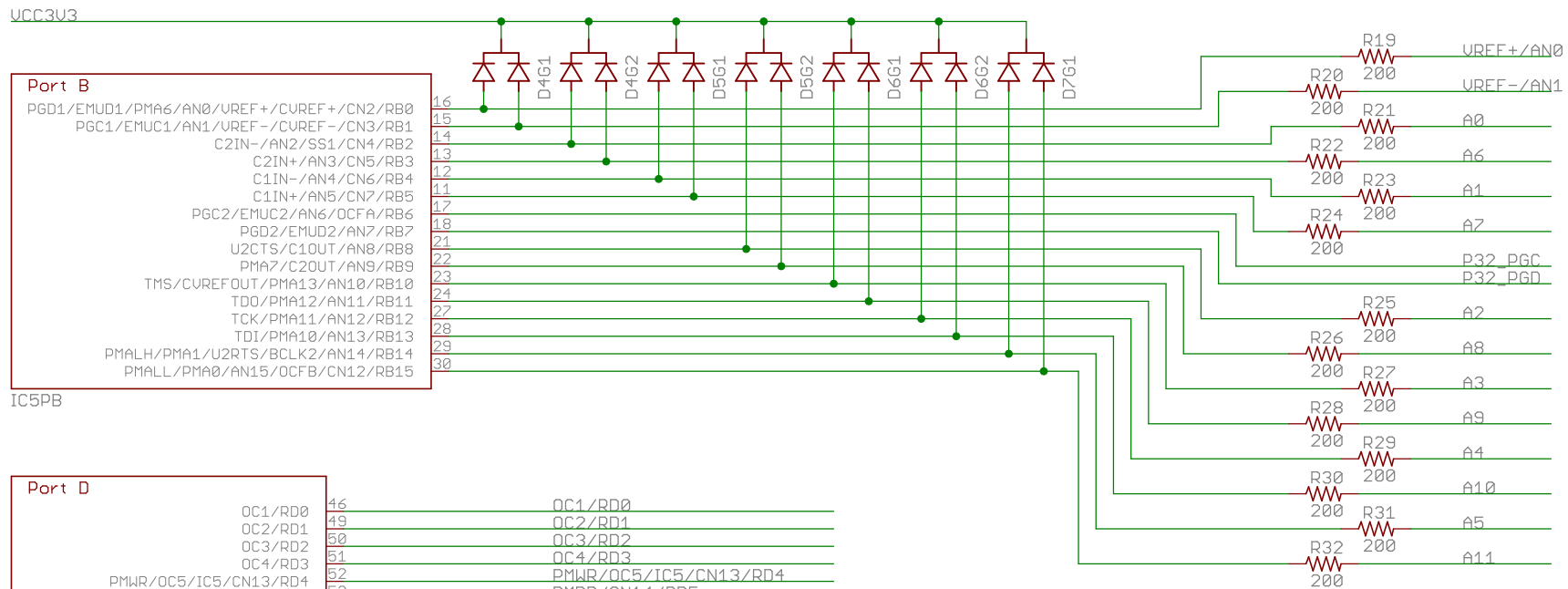
[www.creativecommons.org/licenses/by-sa/3.0/](http://www.creativecommons.org/licenses/by-sa/3.0/)

Reference designs are provided "AS IS" and "WITH ALL FAULTS". Digilent disclaims all other warranties express or implied, regarding this product, including but not limited to, any implied warranties of merchantability or fitness for any particular application. Digilent may make changes to specifications and product descriptions at any time, without notice.

<b>chipKIT Uno32</b>		Engineer: NEA
Copyright 2011, Digilent Inc.		Author: GMA
SHEET: License		Rev: B.0
TITLE: chipKIT Uno32		Doc#: 500-209
Date: 3/15/2011	Sheet: 1/4	

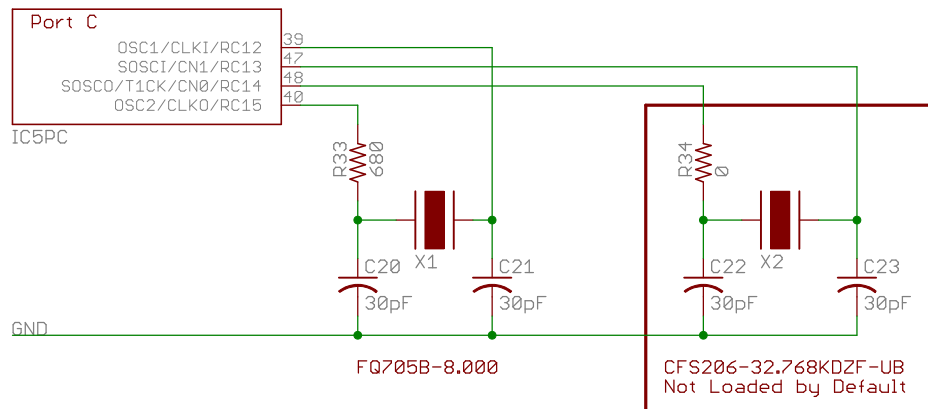


<b>chipKIT Uno32</b>		Engineer: NEA
Copyright 2011, Digilent Inc.		Author: GMA
SHEET: USB-UART, Power Supply		Rev: B.0
TITLE: chipKIT Uno32		Doc#: 500-209
Date: 3/15/2011		Sheet: 2/4



IC5PB

IC5PD



NOTE: IC2 - PIC32MX320F064H, PIC32MX320F128H

## chipKIT Uno32

Copyright 2011, Digilent Inc.

Engineer: NEA

SHEET: PIC32 I/O

Author: GMA

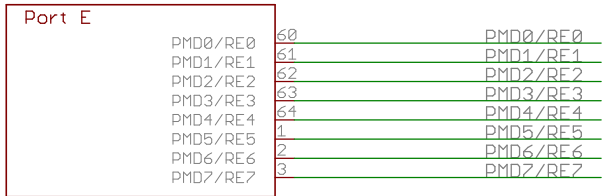
TITLE: chipKIT Uno32

Rev: B.0

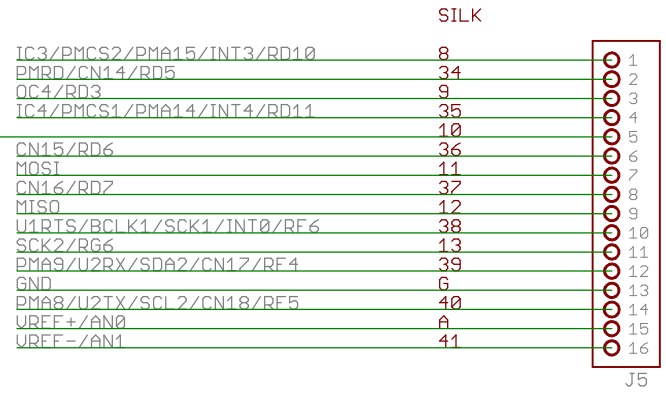
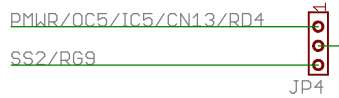
Doc#: 500-209

Date: 3/15/2011

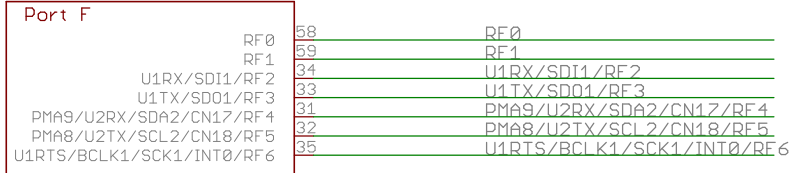
Sheet: 3/4



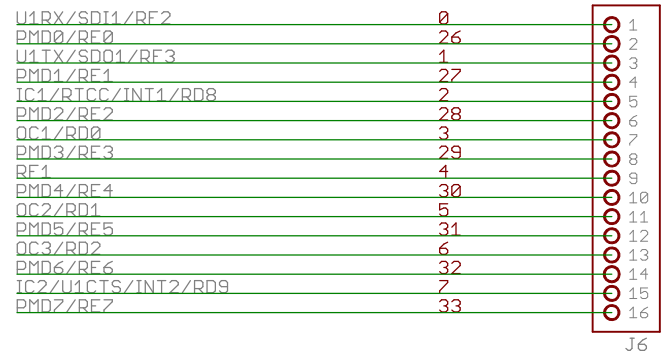
IC5PE



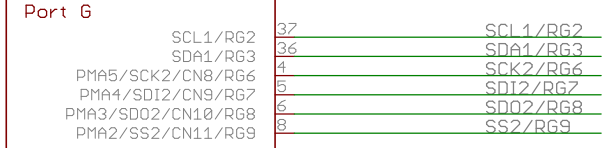
I0H



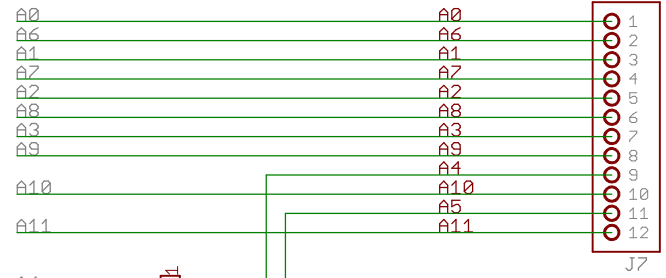
IC5PF



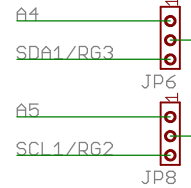
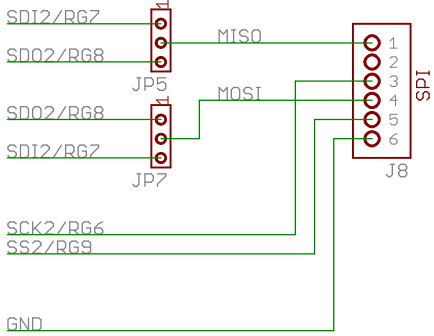
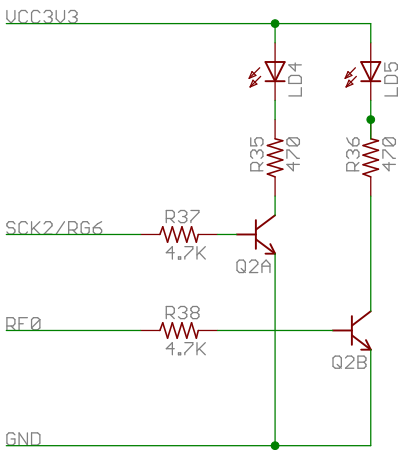
I0L



IC5PG



Analogue



## chipKIT Uno32

Copyright 2011, Digilent Inc.

Engineer: NEA

SHEET: PIC32 I/O, I/O Connectors

Author: GMA

TITLE: chipKIT Uno32

Rev: B.0

Doc#: 500-209

Date: 3/15/2011

Sheet: 4/4