

# CENTRIFUGAL FAN

## CF-130FLJ1-230V



### APPLICATION & DESCRIPTION

The FLJ series fan is composed of a single-phase asynchronous motor or a three-phase asynchronous motor, a volute, an impeller and mounting brackets, which is characterized by compact structure, light weight, small size, high efficiency, large air flow, and high air pressure.

#### Galvanized sheet multi-wing blade

Not easy to rust, wear-resistant and anti-oxidation, long service life, light and beautiful

#### Multi-angle installation

360-degree free installation, can be installed in the forward direction of suspension

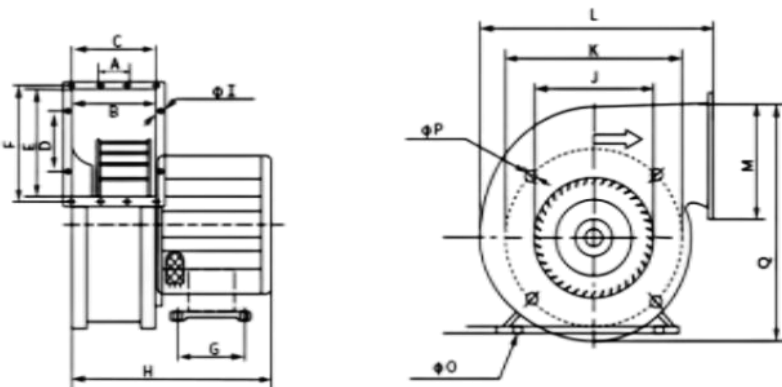
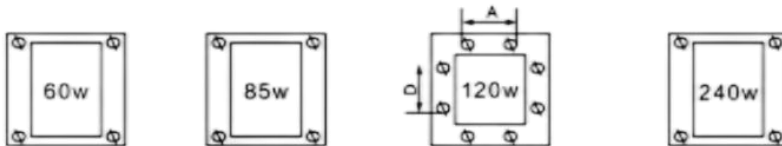
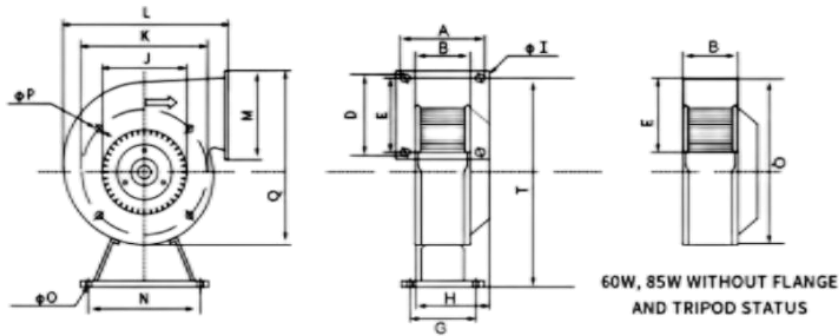
### MAIN TECHNICAL DATA

<b>Rated Voltage</b>	230V
<b>Rated Current</b>	0.39A
<b>Power</b>	<b>85W</b>
<b>Speed</b>	2500RPM
<b>Flow</b>	216m <sup>3</sup> /h
<b>Pressure</b>	280Pa
<b>Noise</b>	≤70dB-A

### PART NUMBER EXAMPLE

BASE NUMBER	Model	Voltage
CF=COOLING FAN	130FLJ1	230V
<b>EXAMPLE</b>	<b>CF-130FLJ1-230V (COOLING FAN 130FLJ1 230V 85W)</b>	

### DIMENSIONS AND MOUNTING



<b>130FLJ1/85W</b>	
<b>A</b>	90
<b>B</b>	60
<b>D</b>	70
<b>E</b>	65
<b>G</b>	85
<b>H</b>	80
<b>φI</b>	4-φ6
<b>J</b>	110
<b>K</b>	130
<b>L</b>	180
<b>M</b>	90
<b>N</b>	130
<b>φO</b>	4-φ6
<b>φP</b>	4-φ3
<b>Q</b>	180
<b>T</b>	210