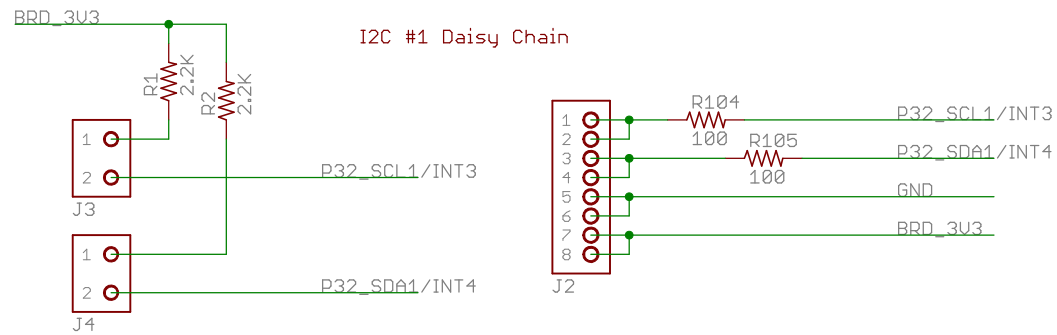
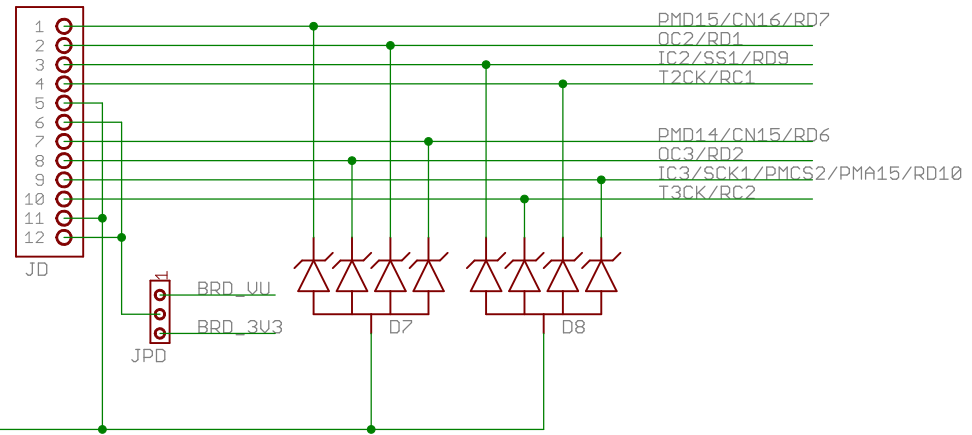
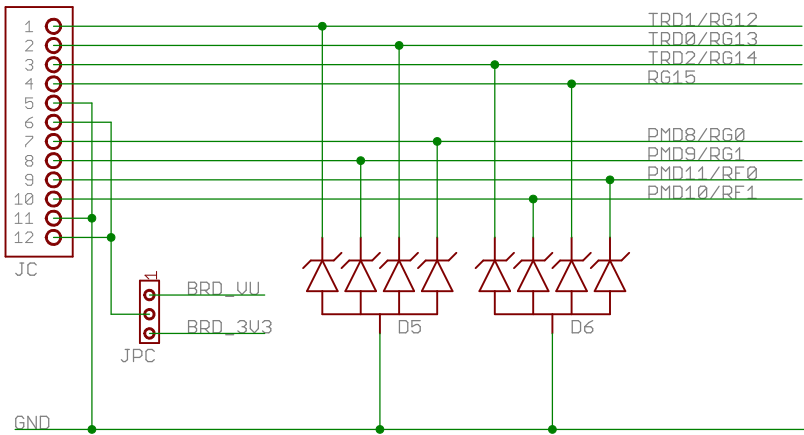
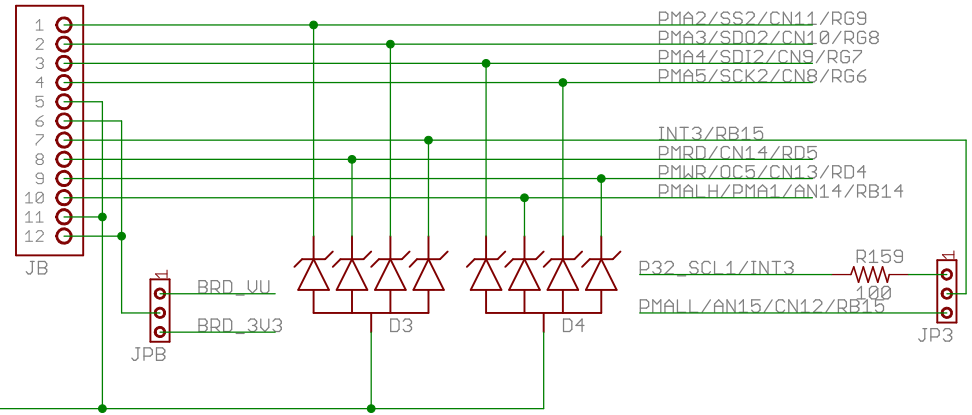
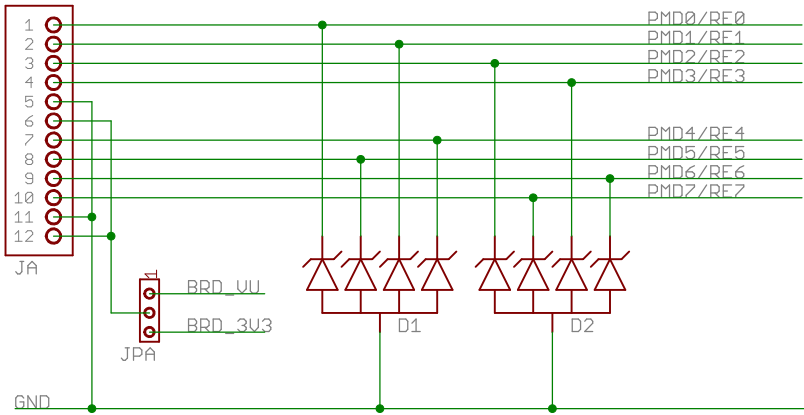
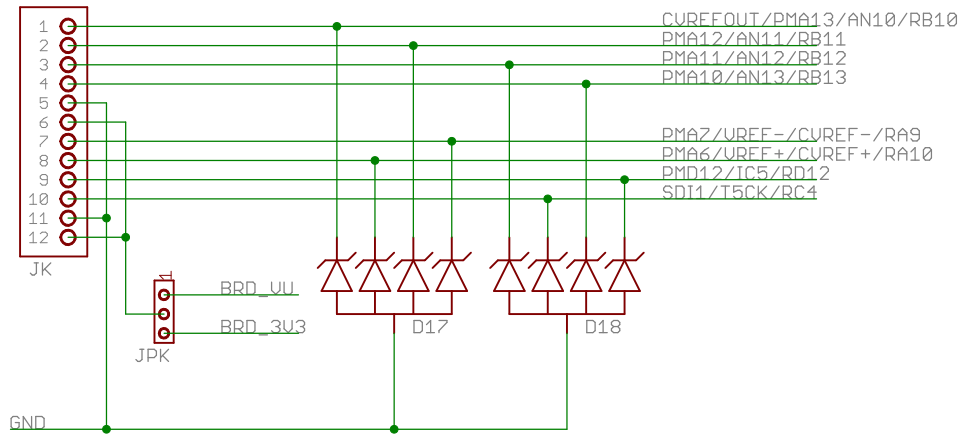
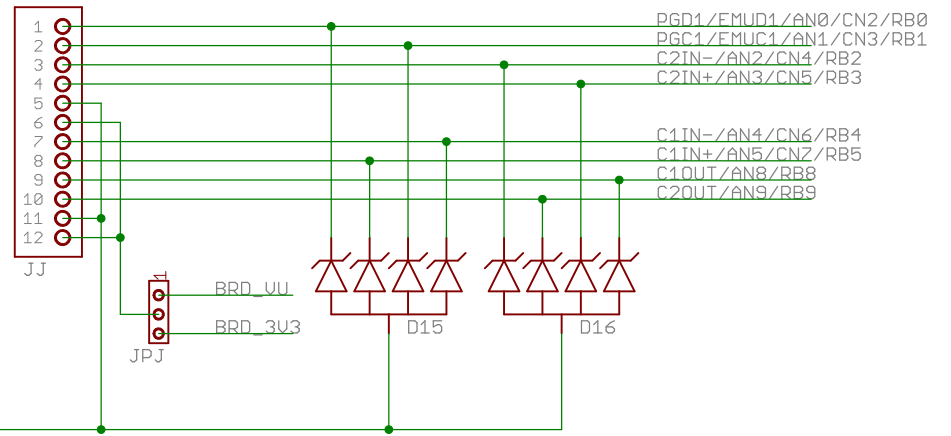
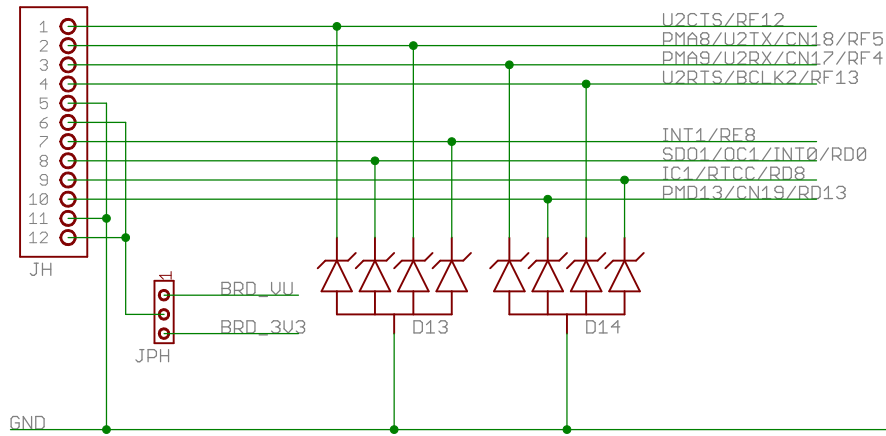
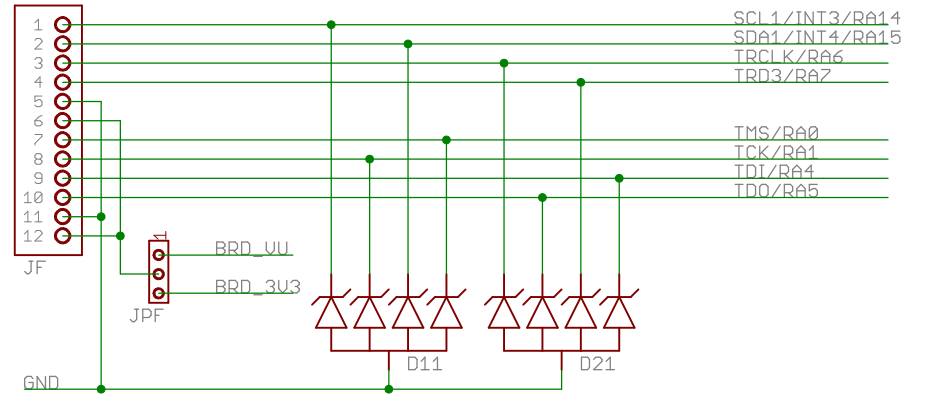
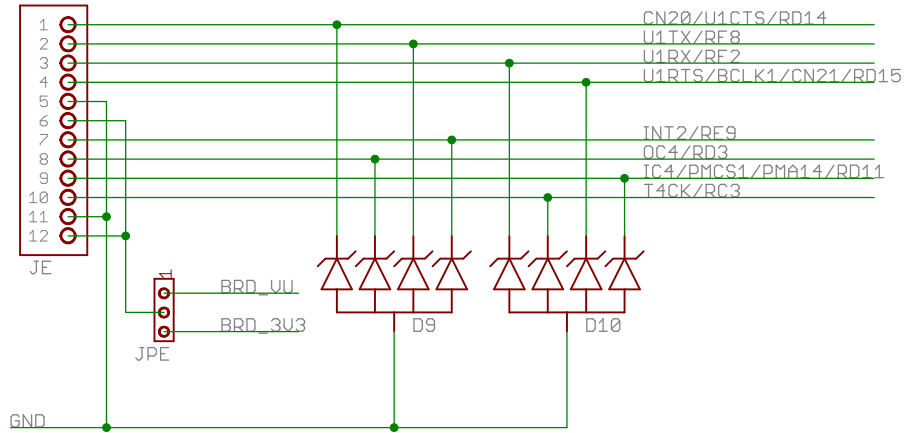


Pmod Connectors

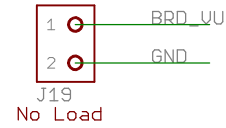


Digilent Inc.		Cerebot MX4CK Copyright 2011, Digilent Inc.	
		Engineer:	NEA
SHEET: Pmod Connectors		Author:	GMA
TITLE: Cerebot MX4CK		Rev:	C.0
Doc#:	500-220	Date:	9/8/2011
		Sheet:	1/9

Pmod Connectors



POWER OUT



Cerebot MX4CK
Copyright 2011, Digilent Inc.

Engineer: NEA

SHEET: Pmod Connectors

Author: GMA

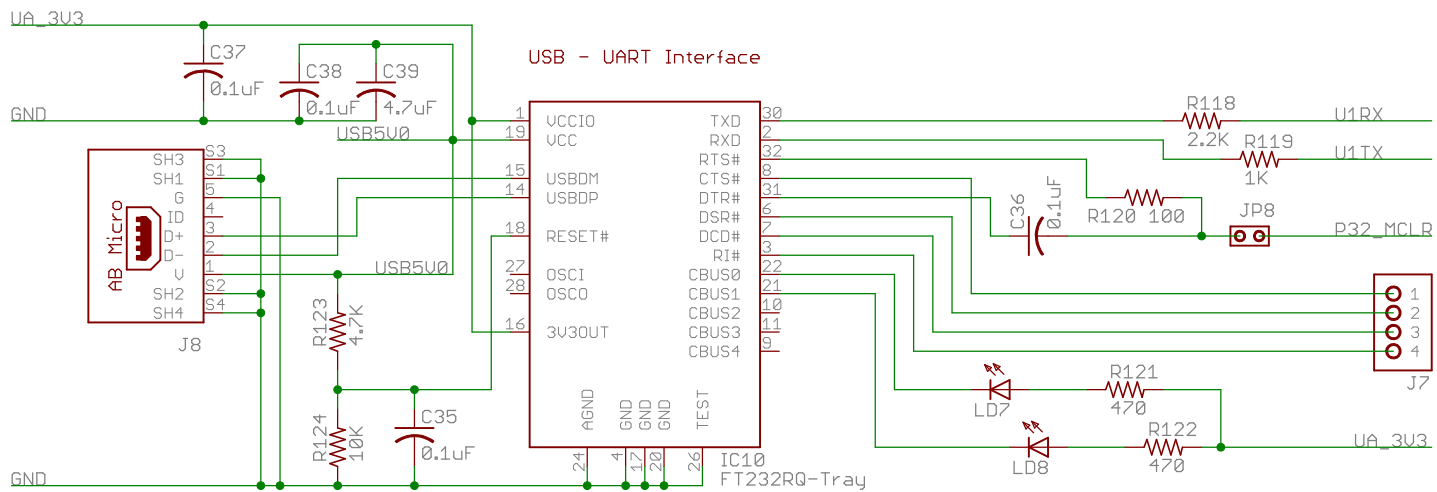
TITLE: Cerebot MX4CK

Rev: C.0

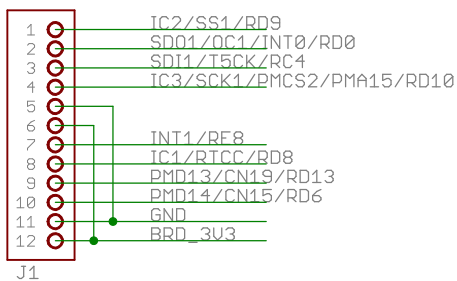
Doc#: 500-220

Date: 9/8/2011

Sheet: 2/9



SPI Port #1 Connector



Cerebot MX4CK
Copyright 2011, Digilent Inc.

Engineer: NEA

SHEET: USB UART

Author: GMA

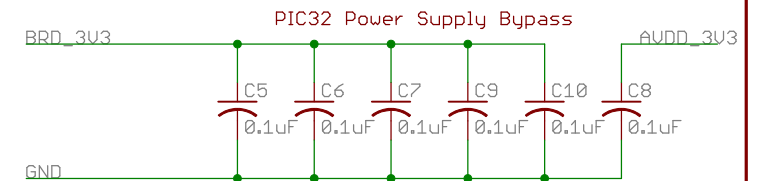
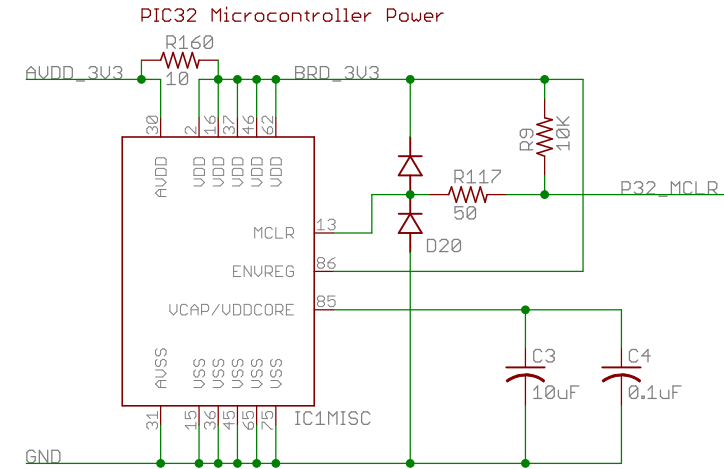
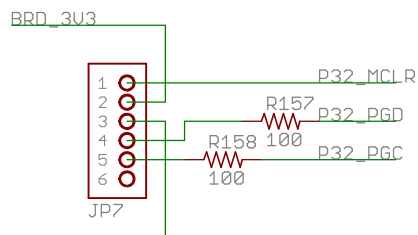
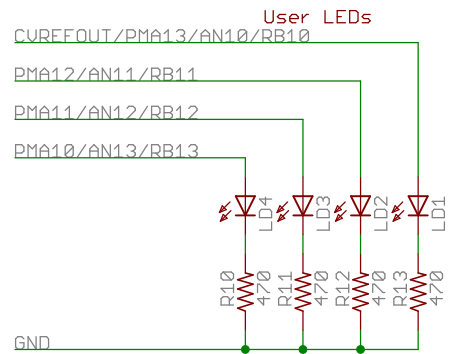
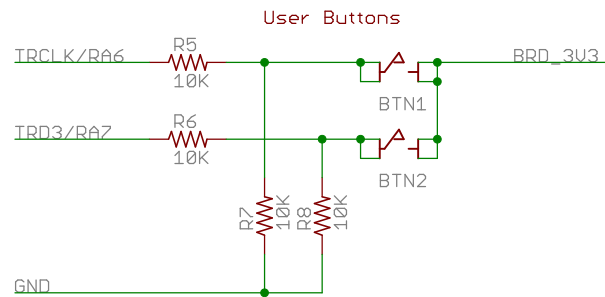
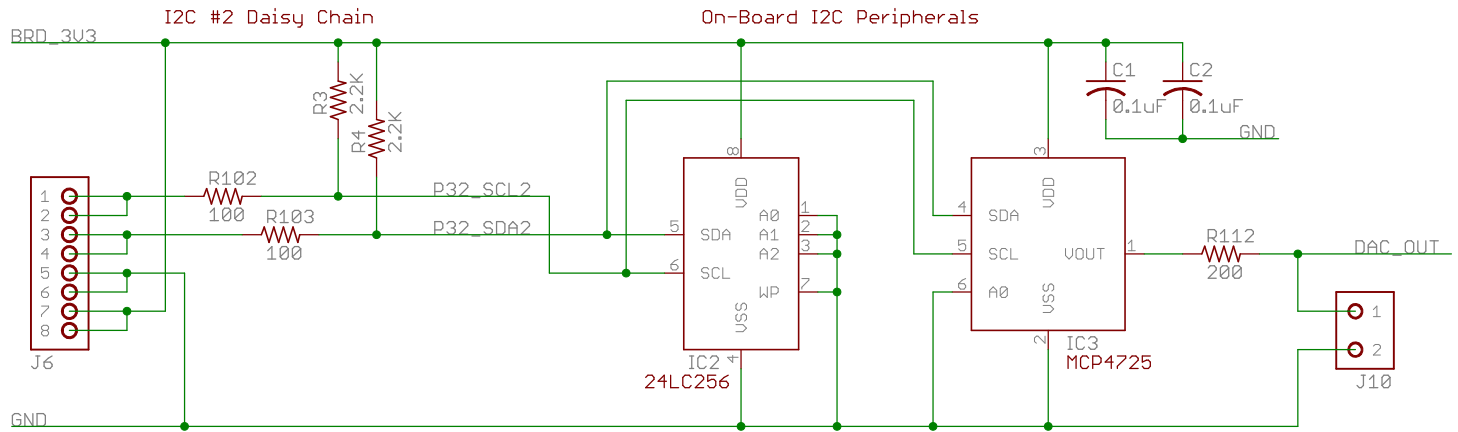
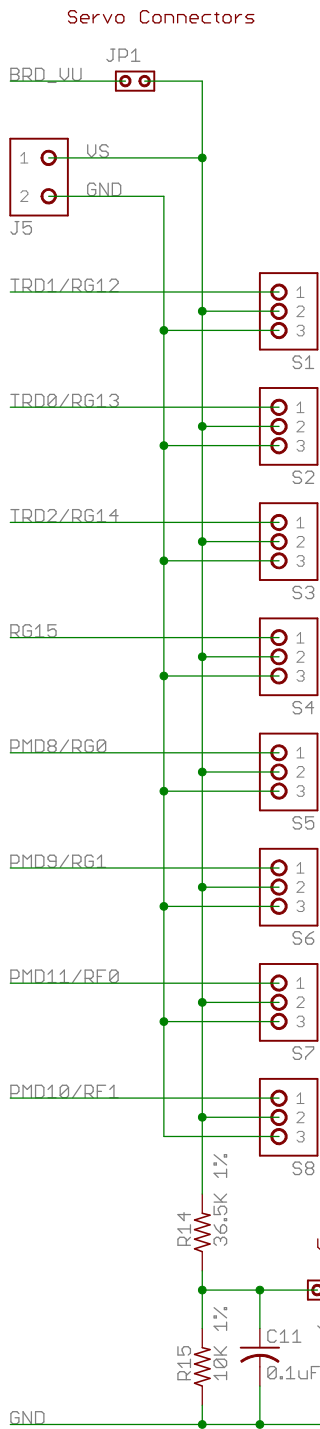
TITLE: Cerebot MX4CK

Rev: C.0

Doc#: 500-220

Date: 9/8/2011

Sheet: 3/9



Cerebot MX4CK
Copyright 2011, Digilent Inc.

Engineer: NEA

SHEET: On-board I/O & PIC32 Power

Author: GMA

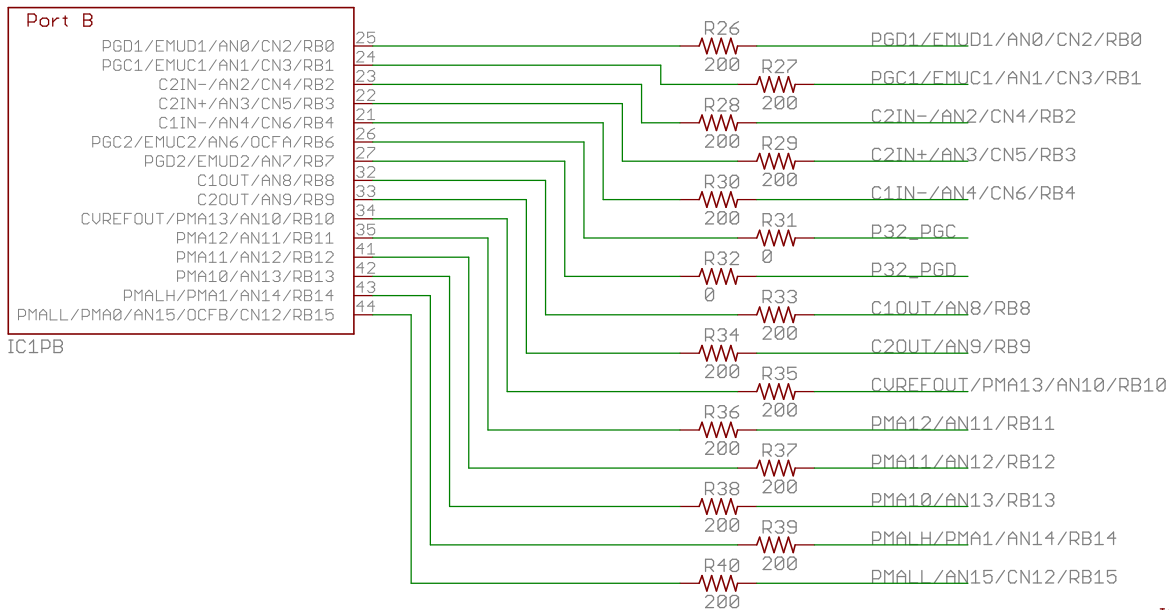
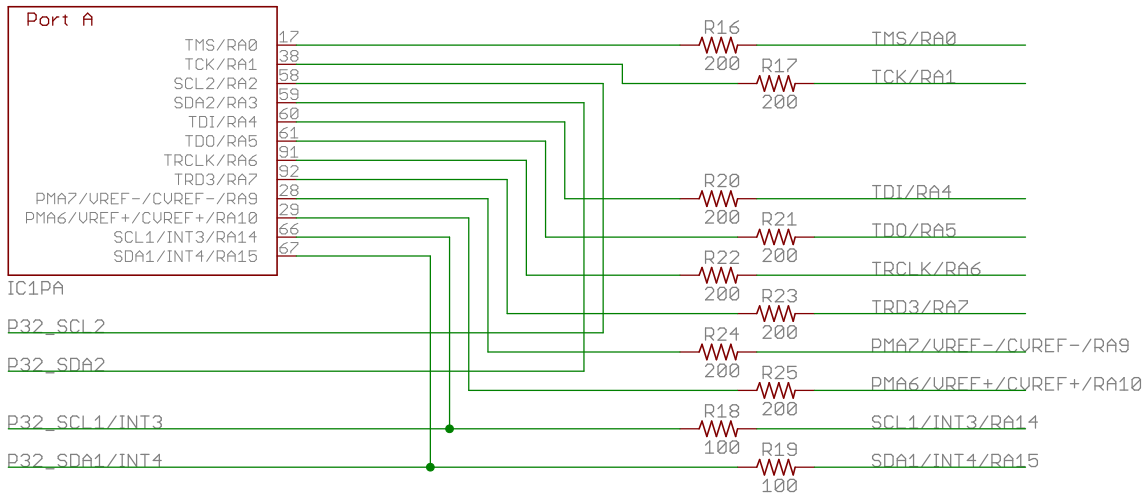
TITLE: Cerebot MX4CK

Rev: C.0

Doc#: 500-220

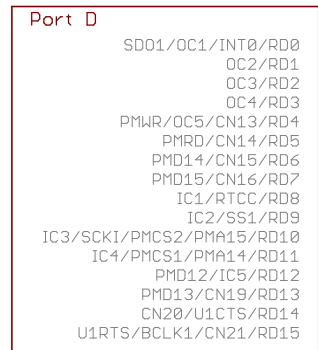
Date: 9/8/2011

Sheet: 4/9

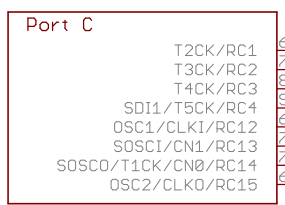
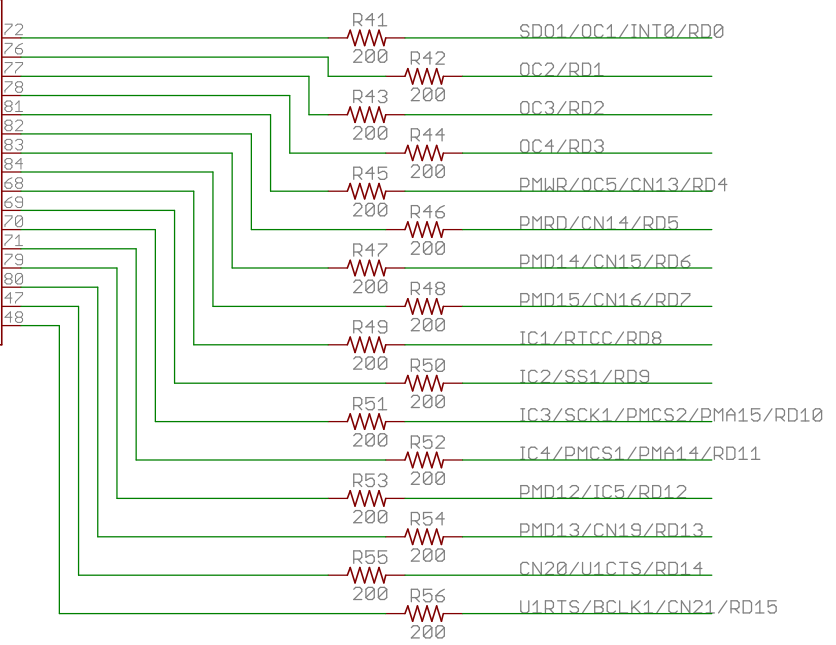


IC1: PIC32MX460F512L

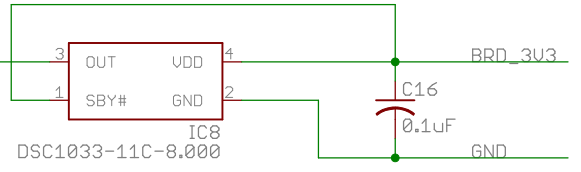
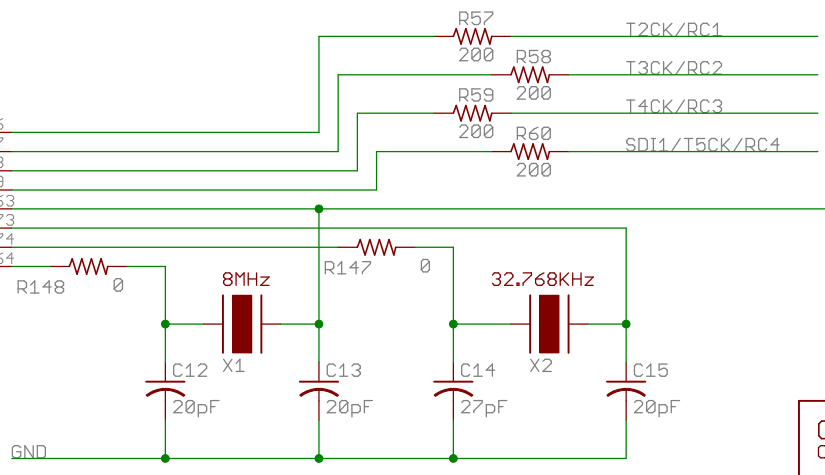
Cerebot MX4CK Copyright 2011, Digilent Inc.		Engineer: NEA
SHEET: PIC32 Port A and B		Author: GMA
TITLE: Cerebot MX4CK		Rev: C.0
Doc#: 500-220	Date: 9/8/2011	Sheet: 5/9



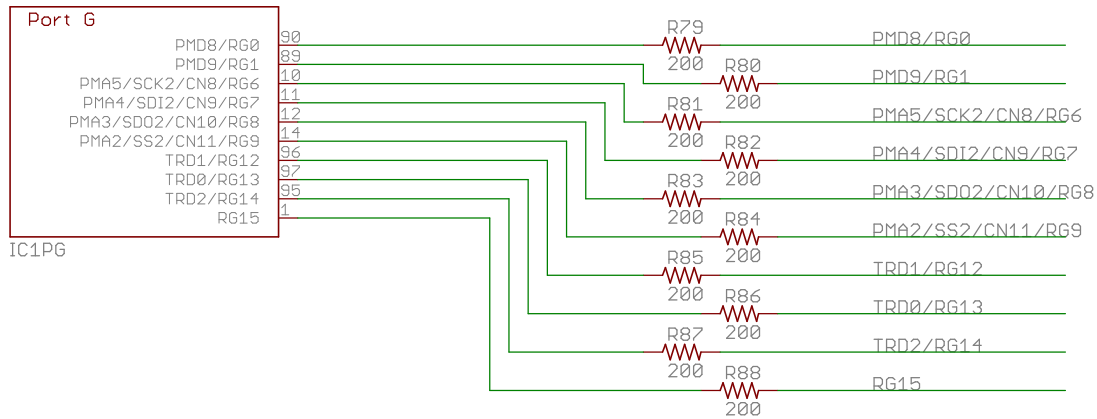
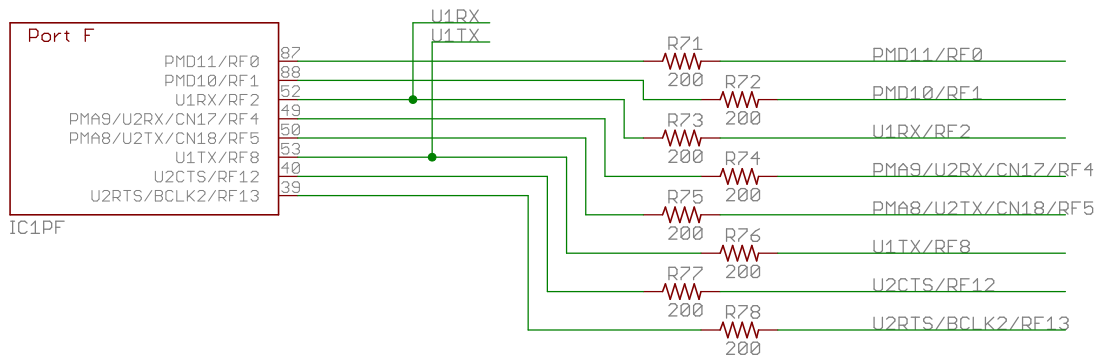
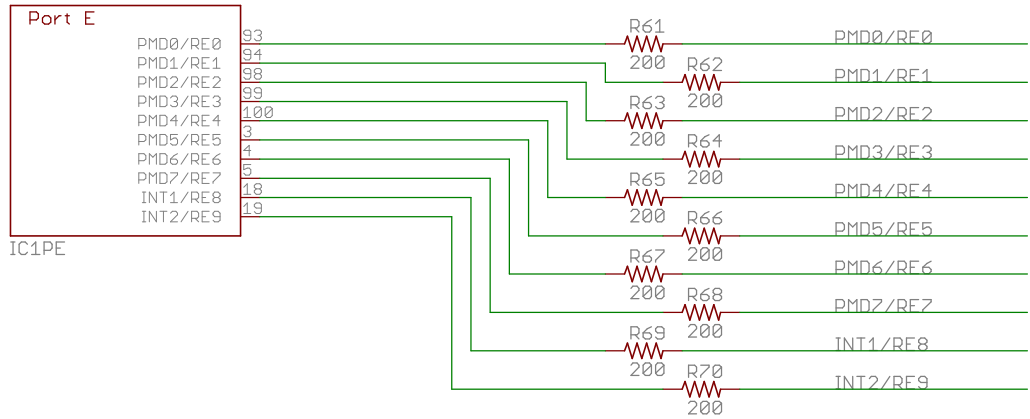
IC1PD



IC1PC



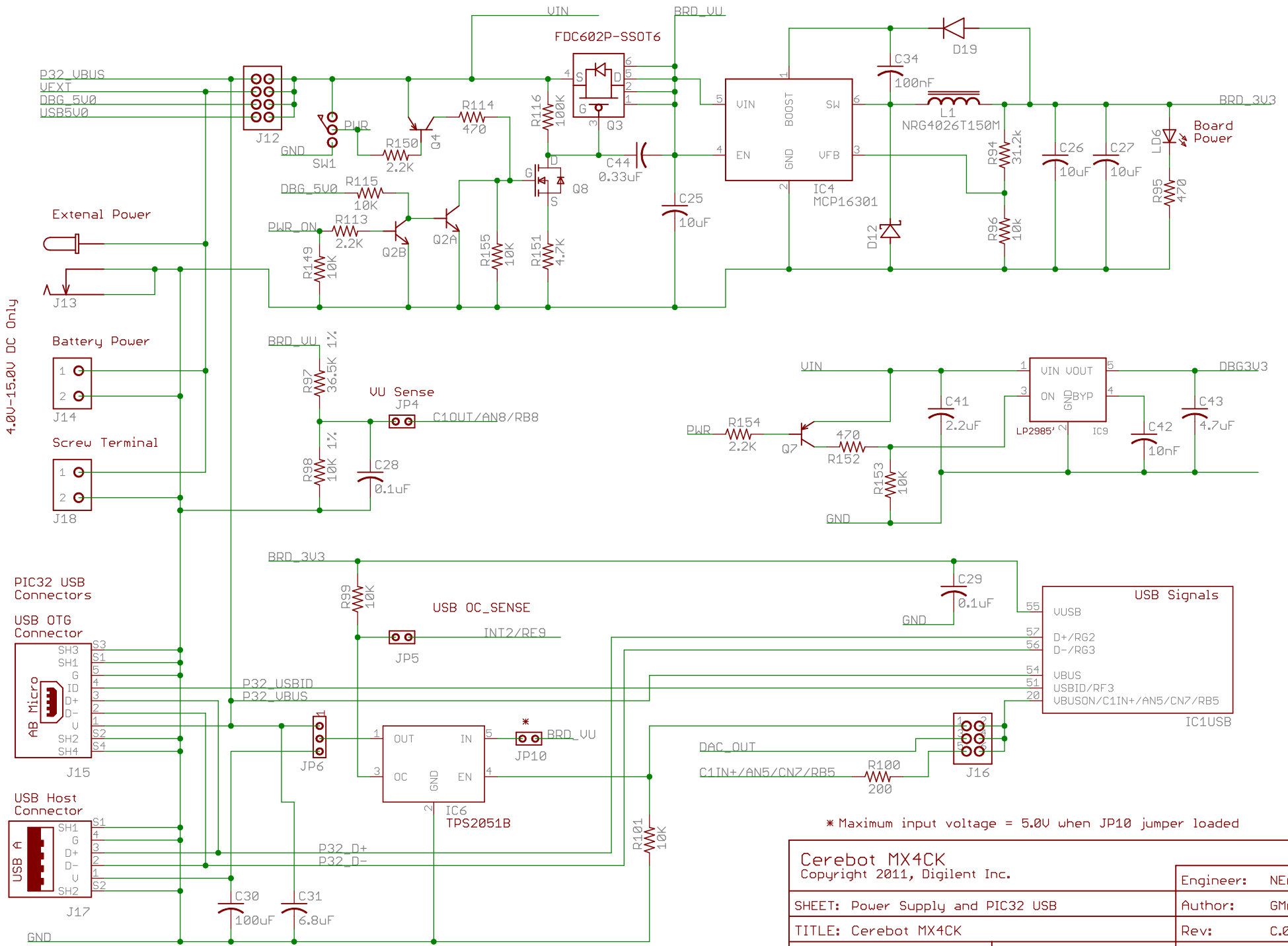
Cerebot MX4CK Copyright 2011, Digilent Inc.		Engineer: NEA
SHEET: PIC32 Port C and D		Author: GMA
TITLE: Cerebot MX4CK		Rev: C.0
Doc#: 500-220	Date: 9/8/2011	Sheet: 6/9



Cerebot MX4CK Copyright 2011, Digilent Inc.		Engineer: NEA
SHEET: PIC32 Port E, F, and G		Author: GMA
TITLE: Cerebot MX4CK		Rev: C.0
Doc#: 500-220	Date: 9/8/2011	Sheet: 7/9

This page intentionally left blank.

4.0V-15.0V DC Only



* Maximum input voltage = 5.0V when JP10 jumper loaded

Cerebot MX4CK Copyright 2011, Digilent Inc.		Engineer: NEA
SHEET: Power Supply and PIC32 USB		Author: GMA
TITLE: Cerebot MX4CK		Rev: C.0
Doc#: 500-220	Date: 9/8/2011	Sheet: 9/9