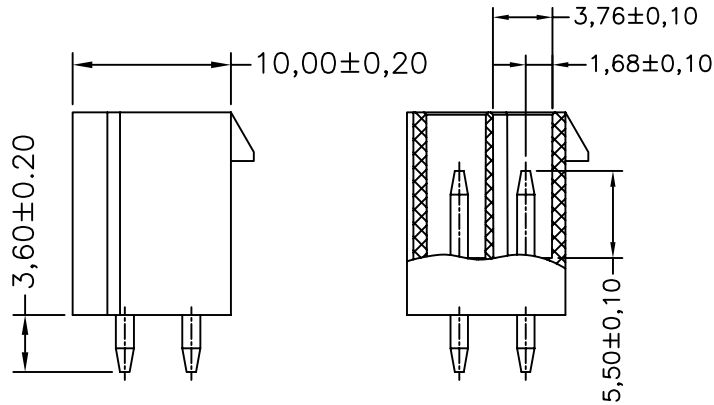
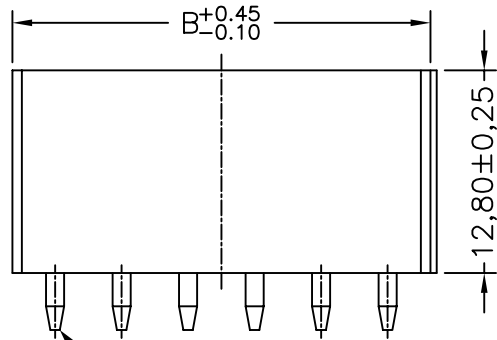


P/N LEGEND

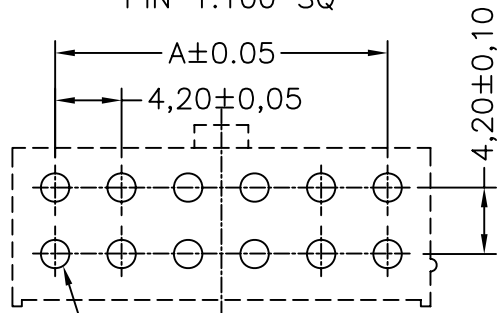
C4255	WV	-2XNP	N	X	X	T1	N	00	B
①	②	③	④	⑤	⑥	⑦	⑧	⑨	⑩

① Series No.
 ② Connector type: WV=Vertical
 ③ No. of circuits
 ④ N=Halogen Free
 ⑤ Material: 0=Nylon 66+15%GF; 2=Nylon 66-V2
 ⑥ Color: W=White; N=Natural(Translucent); B=Black
 ⑦ Plating code for contacts: T1=Tin-plated
 ⑧ Plating code: N=Non-plating
 ⑨ Option code: 00=Standard
 ⑩ Packing code: B=Tray



SPECIFICATIONS

Current Rating: 9A AC,DC
 Voltage Rating: 600V AC,DC
 Temperature Range: -25°C ~ +85°C
 Contact Resistance: 10mΩ Max
 Insulation Resistance: 1000MΩ Min
 Withstanding Voltage: 1500V AC/minute
 Pin Material: Brass



P.C.B LAYOUT

Circuit No.	Dimensions		Circuit No.	Dimensions	
	A	B		A	B
2X01P	---	5.40	2X07P	25.20	30.60
2X02P	4.20	9.60	2X08P	29.40	34.80
2X03P	8.40	13.80	2X09P	33.60	39.00
2X04P	12.60	18.00	2X10P	37.80	43.20
2X05P	16.80	22.20	2X11P	42.00	47.40
2X06P	21.00	26.40	2X12P	46.20	51.60

燦達電子工業股份有限公司 JOINT TECH ELECTRONIC IND. CO., LTD.				UNIT	SCALE	SHEET	TITLE:
				mm	1 : 1	1 of 1	
DRAWN BY 陳錦展 2011.04.08				APPROVED BY 董正一 2011.04.08		4.20mm PITCH 180° WAFER, MINI-FIT	
A2	EN1404240001	2014.04.15	周傑亮	X.X±0.25	DRAW NO. : C4255WV-2XNPXXXXXXX		REV. A2
A1	EN111300505	2011.11.25	謝金發	X.XX±0.15			
A0	NEW RELEASE	2011.04.08	陳錦展	X.XXX±0.05			
REV.	DESCRIPTION	DATE	NAME				