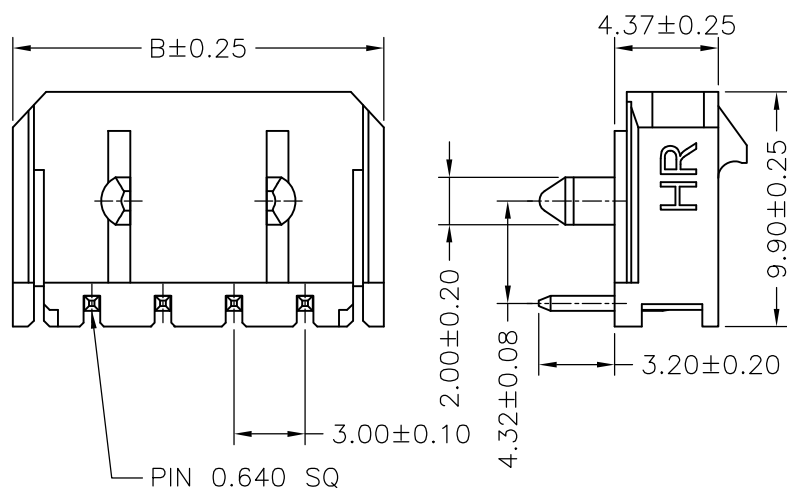
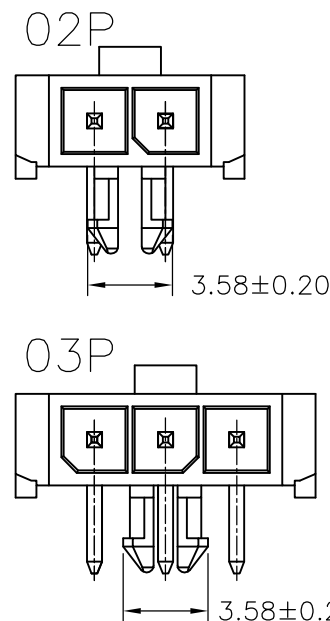
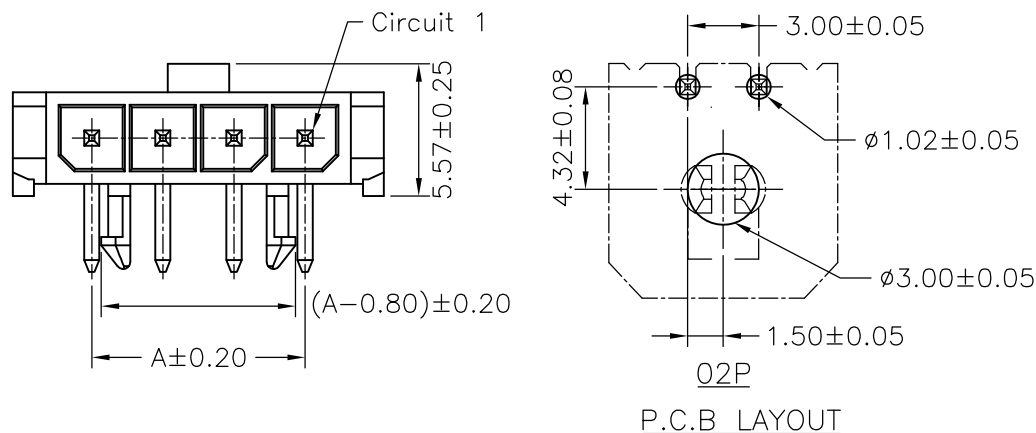


SPECIFICATIONS

Current Rating: 5A AC,DC
 Voltage Rating: 250V AC,DC
 Temperature Range: -25°C ~ +85°C
 Contact Resistance: 10mΩ Max
 Insulation Resistance: 1000MΩ Min
 Withstanding Voltage: 1500V AC/minute
 Pin Material: Brass/Tin-plated
 Material: PBT15%GF,UL94V-0
 Color: Natural(Black)



Ordering Information & Dimensions

PART NO.	Dimensions	
	A	B
C3030WR-F-02P	3.00	9.65
C3030WR-F-03P	6.00	12.65
C3030WR-F-04P	9.00	15.65
C3030WR-F-05P	12.00	18.65
C3030WR-F-06P	15.00	21.65
C3030WR-F-07P	18.00	24.65
C3030WR-F-08P	21.00	27.65
C3030WR-F-09P	24.00	30.65
C3030WR-F-10P	27.00	33.65
C3030WR-F-11P	30.00	36.65
C3030WR-F-12P	33.00	39.65

		JOINT TECH ELECTRONIC IND. CO., LTD.		JOY DAY INDUSTRIAL CO., LTD.	
UNIT	SCALE	SHEET	TITLE:		
mm		1 of 1	3.00mm PITCH		
DRAWN BY		APPROVED BY			
董正一		董正一			
2003.03.27		2003.03.27			
B2	EN0911190568	2009.11.19	GENERAL TOLERANCE		
B1	REVISE	2008.12.30	X.X±0.25	ANGLE±	
B0	NEW RELEASE	2005.12.14	X.XX±0.15		
REV.	DESCRIPTION	DATE	X.XXX±0.05		
			DRAW NO. :		REV.
			C3030WR-F-XP		B2