



REV.	ECN NO.	REVISED	DATE

NOTE:

1.MATERIAL:

- a.HOUSING:PBT
- b.CONTACT:Mn Steel  
(SURFACE PLATING: Ni100u"-120u")

SEE ORDERING INFORMATION

2.ELECTRIC:

- a.CONTACT RESISTANCE: 30 MILLIOHMS MAX
- b.INSULATION RESISTANCE: 1000 MEGA OHMS MIN
- c.DIELECTNIC VOLTAGE: 500V AC ONE SEC LEVEL
- d.OPERATING TEMPERATURE: -25°C ~ +85°C

ORDERING INFORMATION

BS-24-A\*\*\*009

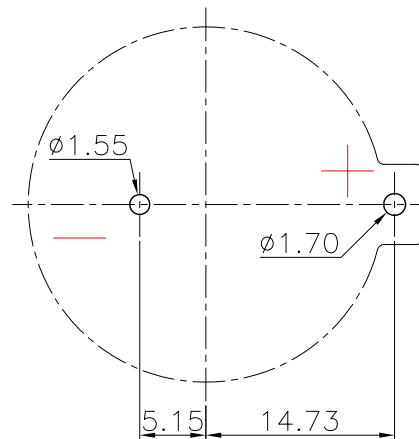
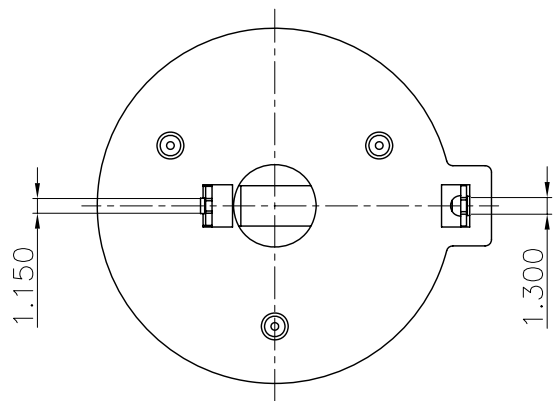
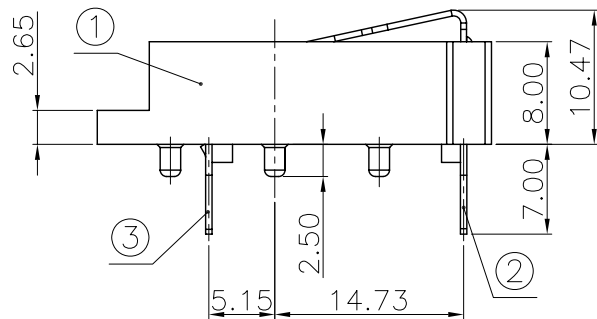
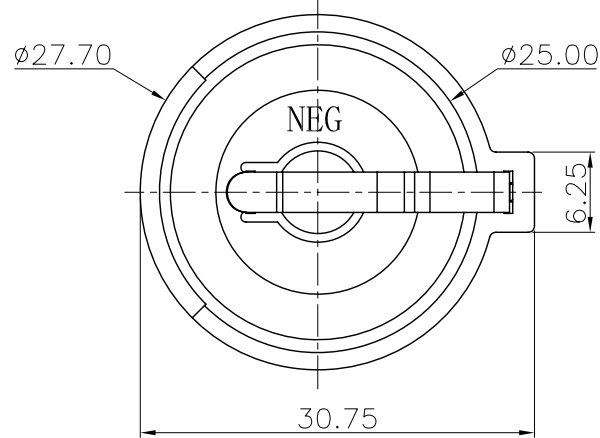
电池座系列

BS-24系列

DIP 90° TYPE

PLATING:  
A-Au1U"  
J-Ni100U"~120U"  
K-Sn100U"~120U"

MATERIAL:  
1A-PBT BLACK  
1B-PA66 BLACK  
2A-PPA BROWN  
2B-PPA BLACK  
3A-PPS BROWN  
3B-PPS BLACK  
4A-LCP WHITE  
4B-LCP BLACK



PCB Layout Diagram  
Top View

NO.	PART NAME	Q'TY	MATERIAL	PLATING & COLOR
3	TERMINAL(-)	1	Mn Steel,T=0.50mm	Ni Plating
2	TERMINAL(+)	1	Mn Steel,T=0.50mm	Ni Plating
1	HOUSING	1	PBT	BLACK

UNLESS OTHERWISE SPECIFIED TOLERANCES		迈洛克实业有限公司 SHENZHEN M&LAK INDUSTRY CO., LTD	
DECIMALS: X :±0.30 X.X :±0.25 X.XX :±0.20 X.XXX :±0.10	ANGLES: X :±1° X.X :±0.5°	DSND YangFeng	DATE 2017-07-17
WEIGHT: 3.41g		CHKD ZhouRuicai	DATE 2017-07-17
SHEET 1 OF 1		APVD XueShunYong	DATE 2017-07-17
SCALE: 2:1	SIZE: A4	VIEW:	TITLE: BS-2477-2
UNIT: mm	REV.: A/0	OBJECT: MY	PART NO.: BS-24-A1AJ009
			DRAW NO.:MY-CP-0036