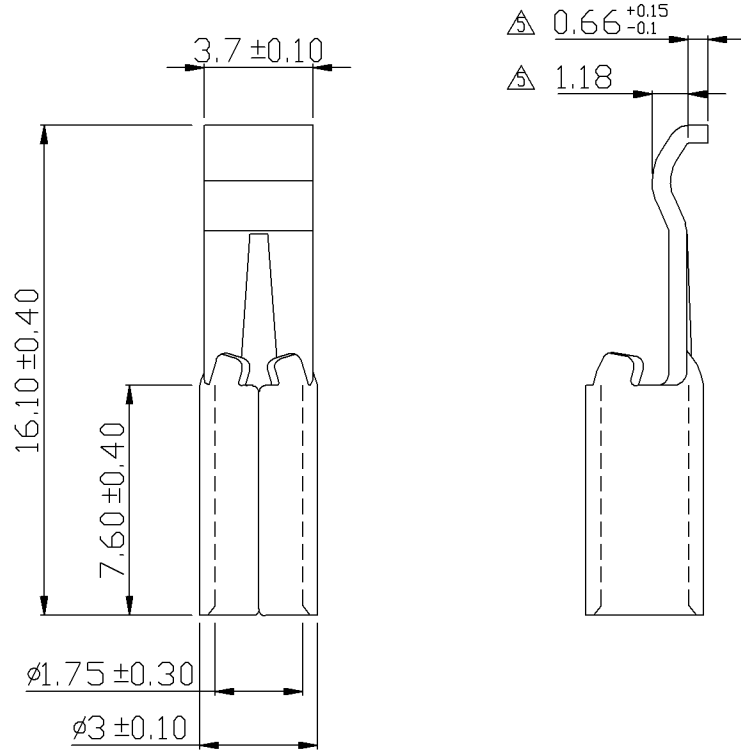
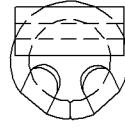


REV	DESCRIPTION	DATE
-----	-------------	------

△ RDC-99311		蔡宗儒 2010/09/01
△ RDCM-101048		謝婉如 2012/05/03



NOTE:

△ 1. MAXIMUM ELECTRIC CURRENT :

A.W.G.	20	18	16
AMP.	10	15	15

2. WIRE RANGE : 20-16 A.W.G. ($0.75-1.5 \text{ mm}^2$)

3. SURFACE TREATMENT : SILVER PLATED

Tolerance Unless Otherwise Specified	
0 > 6 mm ± 0.20	ANGLE
6 > 18 mm ± 0.30	0° > ° REF ±
18 > 30 mm ± 0.40	° > ° ±
30 > 75 mm ± 0.50	° > ° ±

NAME	BATTERY MODULAR CONNECTORS 15 Amp CONTACTS				UNIT	mm	
PART NO.	BMC1AG	MATERIAL	COPPER PLATE	APPROVE			
NUMBER	KT-93151-C	SCALE	SHEET	PAGE	CHECKED		
DATE	2004/05/11	4/1	1-6	10F1	DRAWN	張馨尹	

KST K.S. TERMINALS INC.