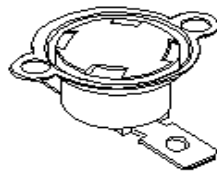


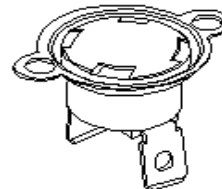
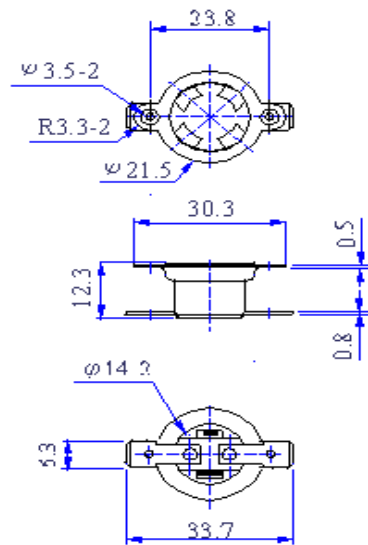


SERIES B-1002A.B

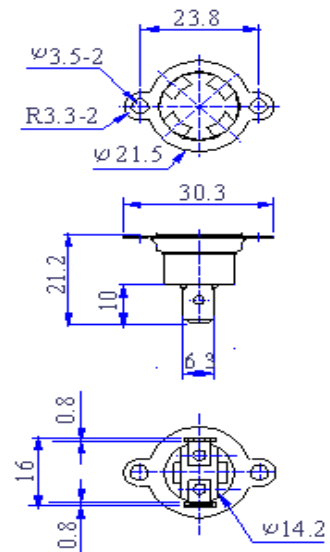
ISO 9002 Certified



B-1002A



B-1002B



DIMENSION IN mm

SPECIFICATIONS:

- ☆ TEMPERATURE RANGE: 60 - 160°C
- ☆ OPERATING TOLERANCE: ±5°C, ±8°C, ±10°C
- ☆ RESET DIFFERENTIAL: 10°C - 50°C
- ☆ INPUT POWER: 32VDC / 125VAC / 250VAC.
- ☆ CONTACTS TYPE: NORMALLY CLOSE / NORMALLY OPEN .
- ☆ CONTACTS ENDURANCE: (RESISTIVE LOAD)
 - 32 VDC × 100mA -- 50,000 CYCLES
 - 125 VAC × 10A -- 100,000 CYCLES
 - 125 VAC × 15A -- 30,000 CYCLES
 - 250 VAC × 6A -- 30,000 CYCLES
- ☆ INTERRUPT CAPACITY: 125 VAC × 60A -- 5 CYCLES .
- ☆ OVERSHOOT TEMPERATURE: 200°C / 5 MINUTES .
- ☆ DIELECTRIC STRENGTH: 1500 VAC / 1 MINUTE .
- ☆ METHOD OF OPERATION : AUTOMATIC INTERRUPTION AND AUTOMATIC RESETTING.
- ☆ IEC - 934 METHOD OF TRIPPING : "TO" = THERMAL.
- ☆ DEGREE OF TRIP - FREE BEHAVIOUR : " CYCLING TRIP - FREE "
- ☆ RESET TYPE: AUTO RESET .

APPROVALS:

- U L APPROVAL: 75°C - 145°C
10A 125VAC 100,000 CYCLES
- CSA APPROVAL: 75°C - 145°C
10A 125VAC 100,000 CYCLES

APPLICATIONS: TEMPERATURE CONTROLLER , DISH WASHER
COFFEE MAKER , HOT PLATE

(FILE=12A 61129) NO EXTRA NOTIFICATION FOR PRODUCT SCALE CHANGE

MOBICON
Electronic Components