

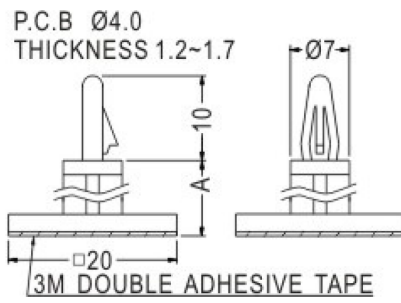
**PART NO : ASS-12**

- ◆ MATERIAL: NYLON 66 (UL)
  - ◆ FLAME CLASS: 94V-2
  - ◆ COLOR: NATURAL
  - ◆ UNIT: mm
- 用途: 背膠式, 用於不能鑽孔之機板與PC板間之固定。

**PRODUCTS QRcode :**



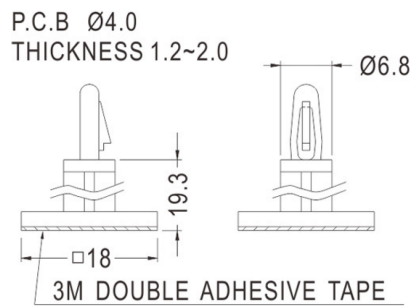
**Image**



PART NO	A	PACKAGE
ASS-12	12.0	500

PART NO	A	PACKAGE
<a href="#">ASS-5</a>	4.6	500
<a href="#">ASS-6</a>	5.5	500
<a href="#">ASS-8</a>	7.2	500
<a href="#">ASS-10</a>	9.0	500
<a href="#">ASS-12</a>	12.0	500
<a href="#">ASS-15</a>	15.4	500

**Image**



PART NO	PACKAGE
<a href="#">ASS-18.5</a>	500