

N-15 / A-15

15 mm low profile rotary potentiometer



Main features	N-15	A-15
Mouting methods	SMD, through hole, horizontal	
Resistive element	carbon	
Dust proof enclosure	yes	
Packaging	embossed tape, bulk	
Low profile	yes (4.4 mm)	
Linearity/precision	±3% (absolute)	±7° (up to ±6°)
Shaft insertable from both sides	yes	
Rotor	"T" polarised	
Long life version	yes	
Endless rotation	yes	
Fully customisable	yes	
Leadfree reflow soldering compatable	yes	
Incremental encoder version available	yes (E15 series, see Encoders & Rotary switches catalogue)	
Rotary switch version available	yes (S15 series, see Encoders & Rotary switches catalogue)	
Hybrid pulse generator-potentiometer version	yes (contact PIHER for detailed information)	

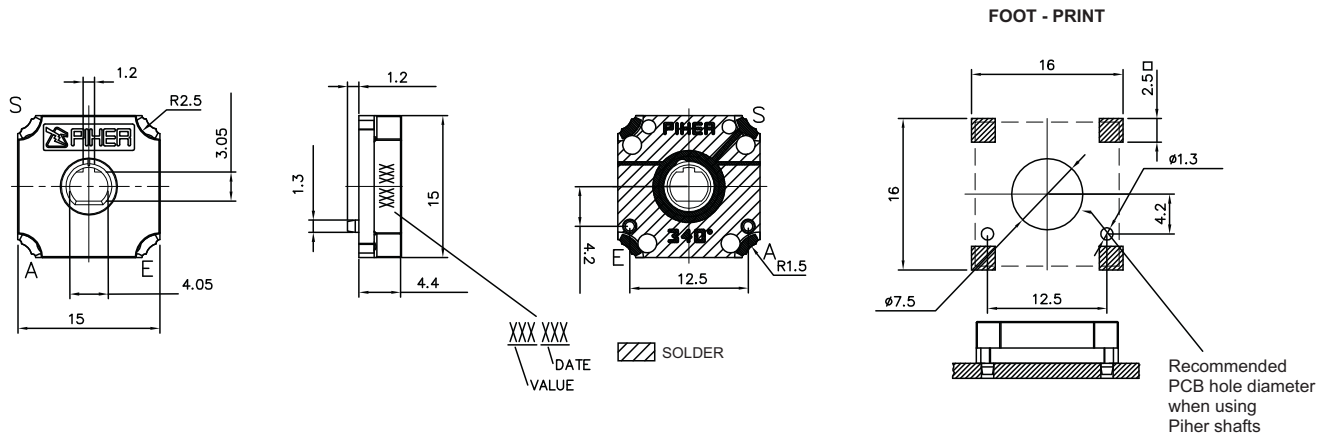
Electrical specifications	N-15	A-15
Range of values*	5k, 10k, 100k	5k, 10k
Tolerance*	± 30%	± 40%
Max. Voltage	250 VDC	
Nominal Power	0.15 W @ 50°C	
Taper	Linear	special
Operating temperature	-40°C + 120°C	

(*) Others upon request

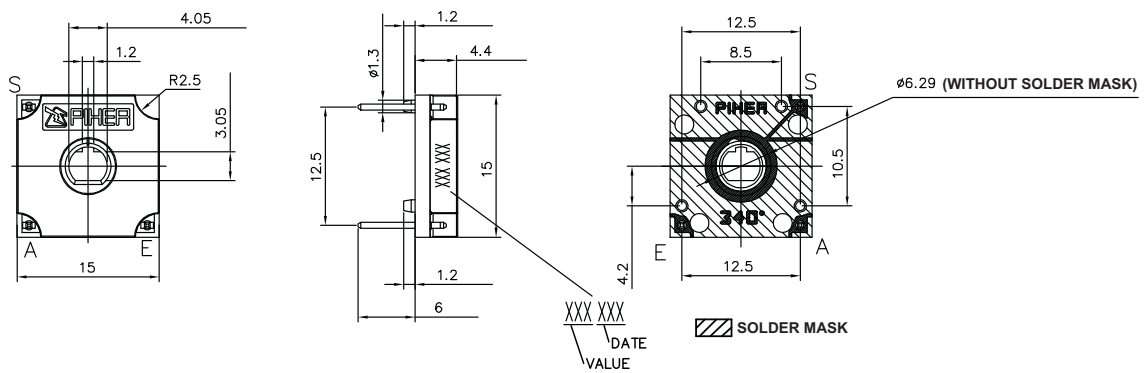
Mechanical specifications	N-15	A-15
Mechanical rotation angle	360°	
Electrical rotation angle	340° ± 10°	360° ± 7°
Torque	≤ 20 mN.m	
Mechanical life*	100K cycles	

(*) 200K cycles upon request
Z-15 series: up to 2M cycles

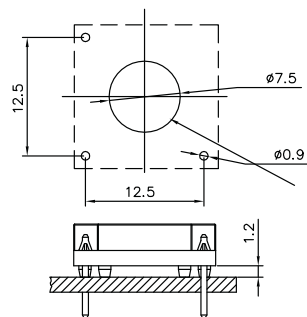
SMD version



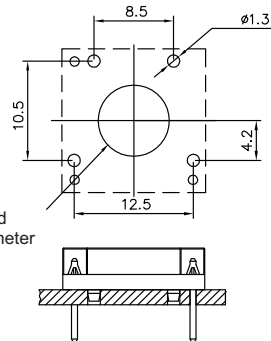
Through hole version



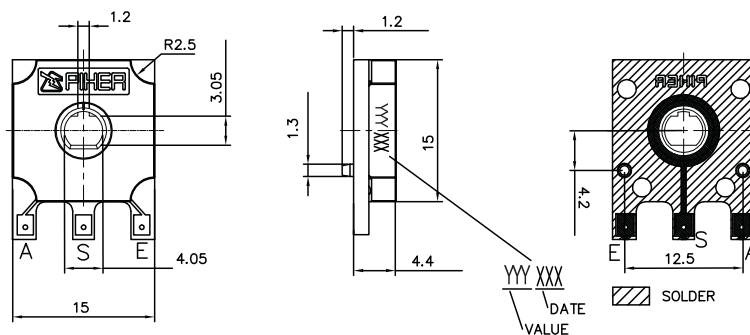
PCB HOLE LAYOUT 1



PCB HOLE LAYOUT 2



Horizontal adjust version (will be studied case by case)



Z-15 (long life) 15 mm low profile potentiometer



Main features

Mouting methods	SMD, through hole (see N15 datasheet)
Resistive element	carbon
Dust proof enclosure	yes
Packaging	embossed tape, bulk (see N15 datasheet)
Low profile	yes (4.4 mm)
Linearity/precision	$\pm 3\%$ (absolute)
Shaft insertable from both sides	yes
Rotor	"T" polarised
Long life version	yes
Endless rotation	yes
Fully customisable	yes
Leadfree reflow soldering compatible	yes

Electrical specifications

Value*	5K
Tolerance*	$\pm 30\%$
Max. Voltage**	27 VDC (5K value)
Nominal Power	0.15 W @ 50°C
Taper	Linear
Operating temperature	-40°C + 120°C

(*) Others upon request

(**) Max. voltage is dependent on nominal power and resistance value.
Max. voltage can not exceed 250VDC

Mechanical specifications

Mechanical rotation angle	360°
Electrical rotation angle	110° \pm 10°
Torque	≤ 20 mN.m
Mechanical life	up to 2M cycles