

# Digital Counters

- 6-digit LCD
- In-built nonvolatile memory (EEPROM) offering exceptional reliability
- Wide range of supply voltage
- Remote reset
- Available in 3 different shaped Bezels
- Low Power Consumption



Cat. No.	Z72FBX	ZJ2FBX	ZH2FBX
<b>Parameters</b>			
Supply Voltage (Φ)	85 - 265 VAC	12 - 48 VAC/DC	10 - 80 VDC
Frequency	50/60 Hz	50/60 Hz	N A
Power Consumption (Max.)	0.8 VA	0.4 W	0.6 W
Counting frequency	10Hz	10Hz	30Hz
Maximum Range	999999		
Display	Large 6-Digit display, easy to read		
Resolution	1 Count		
Reset	Electrical		
Memory Retention	100 Years		
Operating Temperature	- 10° C to +50° C		
Storage Temperature	- 20° C to +65° C		
Accuracy	± 1 Count		
Humidity (Non Condensing)	95% (Rh)		
Degree of Protection	IP54		
Enclosure	UL94-V0		
Terminals	1 & 2: Input Supply, 3: Count 4: Reset		
Panel cut outs	Round Bezel, 24 x 48 Bezel, Screw Mount Bezel		
Mounting	Flush/ Panel Mounting		
Certification			
Weight (unpacked)	With Round Bezel - 35g, with 24 x 48 Bezel - 29 g, with Screw Mount Bezel - 31 g		
<b>EMI / EMC</b>			
Harmonic Current Emissions	IEC 61000-3-2		
ESD	IEC 61000-4-2		
Radiated Susceptibility	IEC 61000-4-3		
Electrical Fast Transients	IEC 61000-4-4		
Surges	IEC 61000-4-5		
Conducted Susceptibility	IEC 61000-4-6		
Voltage Dips & Interruptions (AC)	IEC 61000-4-11		
Conducted Emission	CISPR 14-1		
Radiated Emission	CISPR 14-1		
<b>Environmental</b>			
Cold Heat	IEC 60068-2-1		
Dry Heat	IEC 60068-2-2		
Vibration	IEC 60068-2-6		
Repetitive Shock	IEC 60068-2-27		
Non-Repetitive Shock	IEC 60068-2-27		

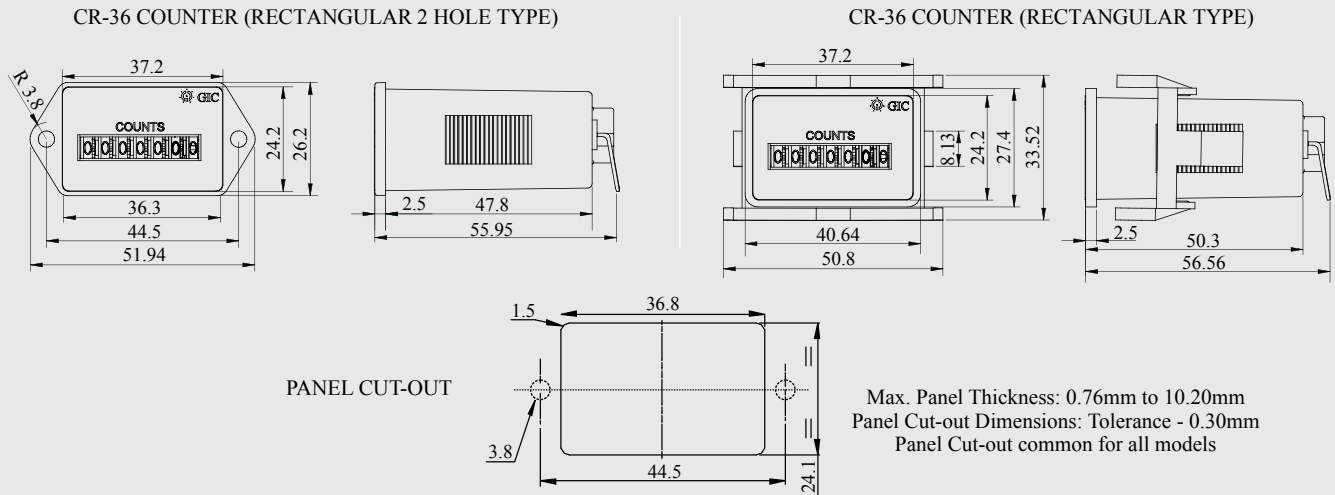
## ORDERING INFORMATION

Cat. No.	Description
Z72FBX	85-265 VAC model
ZJ2FBX	12-48V AC/DC model
ZH2FBX	10-80V DC model
X	A=Round Bezel, B=24x48 Bezel, C=Screw Mount Bezel

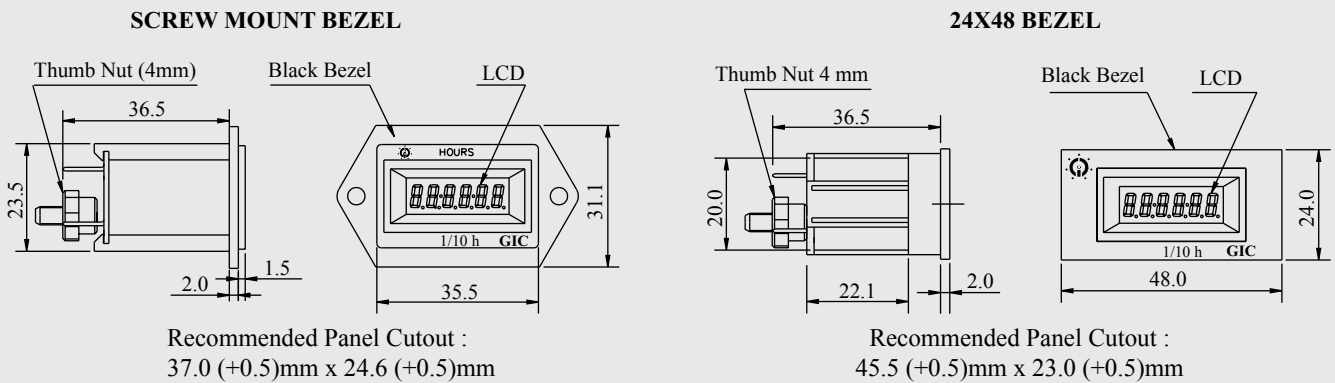
# Impulse Counter Series CR 36 & Digital Counter

## MOUNTING DIMENSIONS (mm)

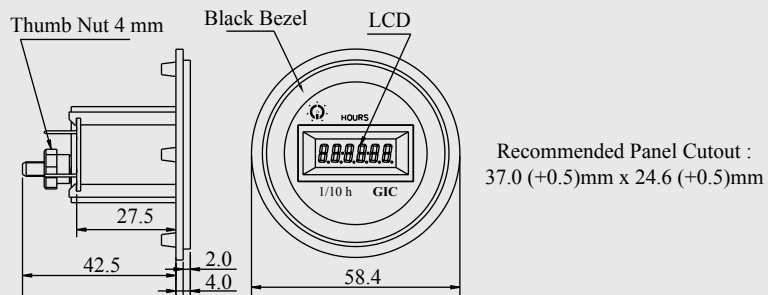
### IMPULSE COUNTER CR 36



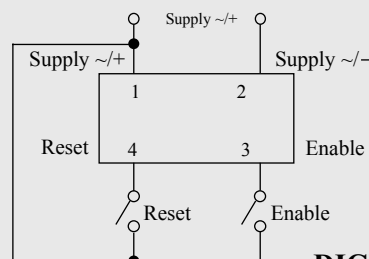
### DIGITAL COUNTER



### ROUND BEZEL



## CONNECTION DIAGRAM



### TERMINAL DESCRIPTION

- Pin 1: Supply (~ / +)
- Pin 2: Supply (~ / -)
- Pin 3: Enable
- Pin 4: Reset

### DIGITAL COUNTER