

LED 2mm Red High-head with Red light Long Feet: 29mm 1.8-2.2V 20mA 600-800mcd 1k/bag

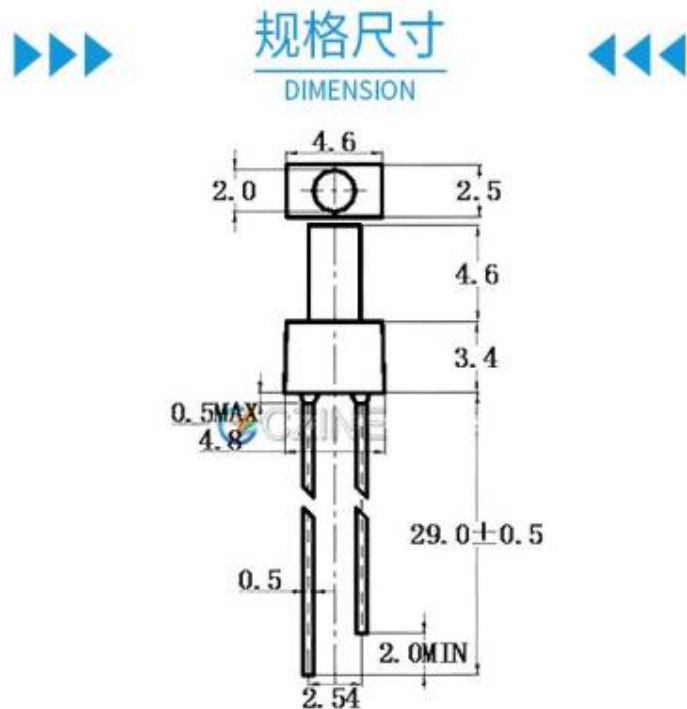
P/N: 181425

PACKAGE DIMENSIONS(UNIT: mm)

(DEVICE NO)

XR-3R4UR

2mm red high-head



ABSOLUTEMAXIMUM RATINGS: (Ta=25°C)

Characteristic	Forward Current	Forward Max. Current	Reverse Voltage	Power Dissipation	Operation Temperature	Storage Temperature	Soldering Temperature
Symbol	I_{FM} (mA)	I_{FM-MAX} (mA)	V_{RM} (V)	P_D (mW)	T_{OPR} (°C)	T_{STG} (°C)	T_{SLD} (°C)
Rate	20	100	5	120	-40~+70	-40~+85	260(3s~5s)

ELECTRO-OPTICAL CHARACTERISTICS: (Ta=25°C)

Type No.	Luminous Intensity I_v (mcd) $I_F=20mA$	Wavelength λ_D (nm) $I_F=20mA$	Forward Voltage V_F (V) $I_F=20mA$	Reverse Current I_R (μA) $V_R=5V$	Power Angle $2\theta/2$	Test Conditions $I_F=20mA$ $V_R=5V$
3R4UR	600~800	625~635	1.8~2.2	10	120	