

LED 2mm Green High-head with Green light Long Feet: 29mm 1.8-2.2V 20mA 400-600mcd 1k/bag

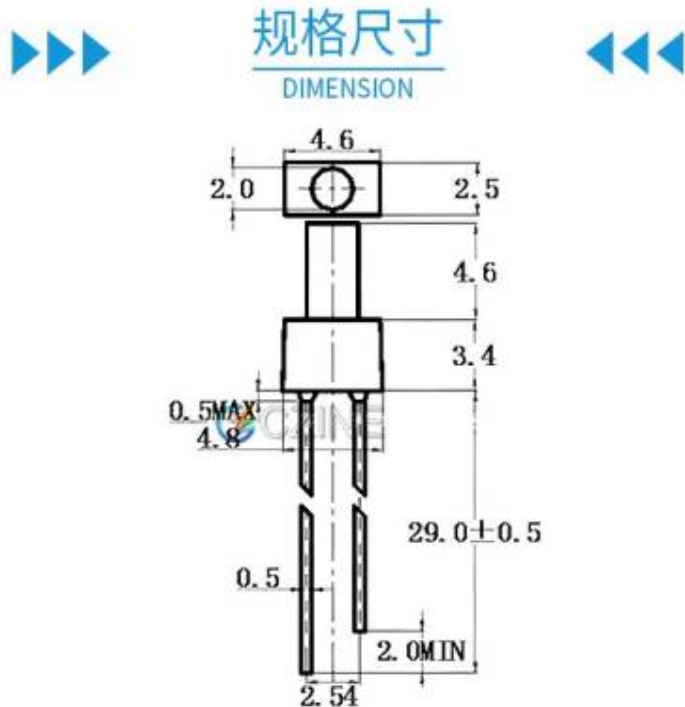
P/N:181424

PACKAGE DIMENSIONS(UNIT: mm)

(DEVICE NO)

XR-3R4UC

2mm green high-head



ABSOLUTE MAXIMUM RATINGS: (Ta=25°C)

Characteristic	Forward Current	Forward Max. Current	Reverse Voltage	Power Dissipation	Operation Temperature	Storage Temperature	Soldering Temperature
Symbol	I _{FM} (mA)	I _{FM-MAX} (mA)	V _{RM} (V)	P _D (mW)	T _{OPR} (°C)	T _{STG} (°C)	T _{SLD} (°C)
Rate	20	10	5	120	-40~+70	-40~+85	260(3s~5s)

ELECTRO-OPTICAL CHARACTERISTICS: (Ta=25°C)

Type No.	Luminous Intensity I _v (mcd) I _F =20mA	Wavelength λ _D (nm) I _F =20mA	Forward Voltage V _F (V) I _F =20mA	Reverse Current I _F (μ A) V _R =5V	Power Angle 2 θ /2	Test Conditions I _F =20mA V _R =5V
3R4UC	400-600	575	1.8~2.2	10	120	