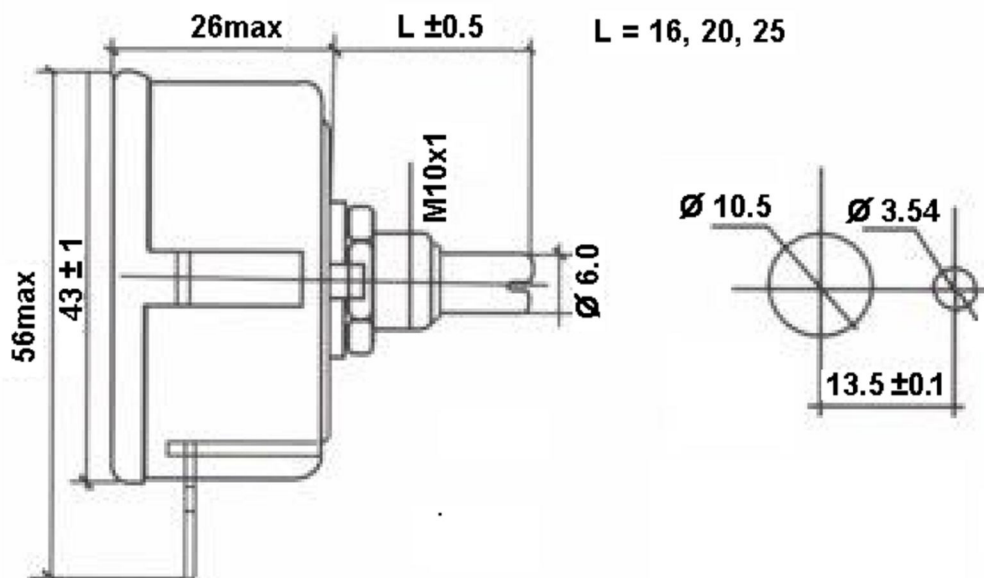


WX050-SERIES RHEOSTAT



Resistance Range	-----	$27\Omega \sim 47k\Omega$
Tolerance of Total Resistance	-----	$\pm 5\%, \pm 10\%$
Angle of Rotation	-----	$300^\circ \pm 10^\circ$
Voltage Rating	-----	320VAC
Torque	-----	3.5 ~ 100mN.m
Power Rating	-----	5W (55°C), 0W (100°C)