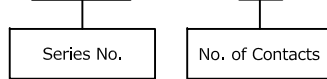


SPECIFICATIONS

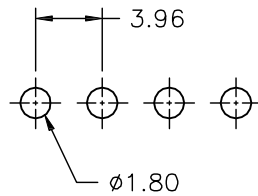
Current Rating: 7AMP
 Voltage Rating: 250V AC/DC
 Contact Resistance: 20m Ω Max
 Insulation Resistance: 1000M Ω Min
 Withstanding Voltage: 1500V AC for 1 minute
 Temperature Range: -25°C to +85°C
 Contact : Brass, Tin plated
 Insulator: NY66, UL94V-2

ORDER INFORMATION

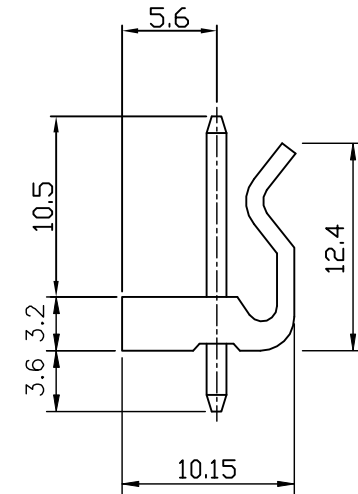
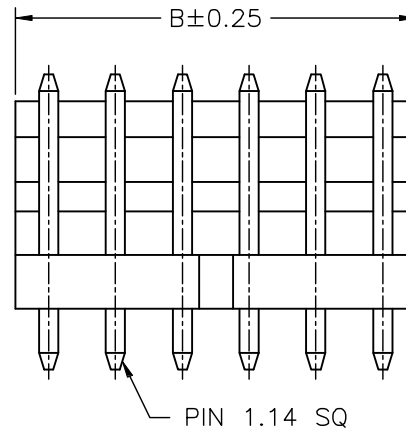
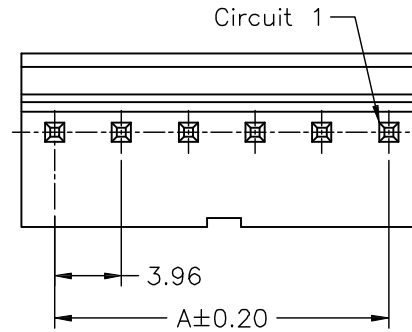
W3960L - XX




Pin NO.	Dimensions	
	A	B
02P	3.96	7.92
03P	7.92	11.88
04P	11.88	15.84
05P	15.84	19.80
06P	19.80	23.76
07P	23.76	27.72
08P	27.72	31.68
09P	31.68	35.64
10P	35.64	39.60
11P	39.60	43.56
12P	43.56	47.52
13P	47.52	51.48
14P	51.48	55.44
15P	55.44	59.40
16P	59.40	63.36



P.C.B LAYOUT



 Morecrafts Technology TEL: +886-2-2966-1326 FAX: +886-2-2966-1352 www.morecrafts.com.tw	PART NO.	W3960L-XX	DRAWN	Andrew
	DRAWING NO.	W3960L-XX	CHECKED	Claudia
	DATE	2018/01/10	APPROVED	Brian
TITLE:	REV.	TOLERANCE	SCALE	UNIT
Pitch 3.96mm Wafer	A0	.X ±0.25 .XX ±0.20	1:1	mm