

SPECIFICATIONS

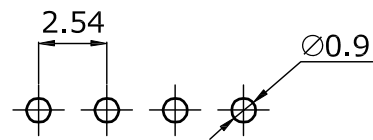
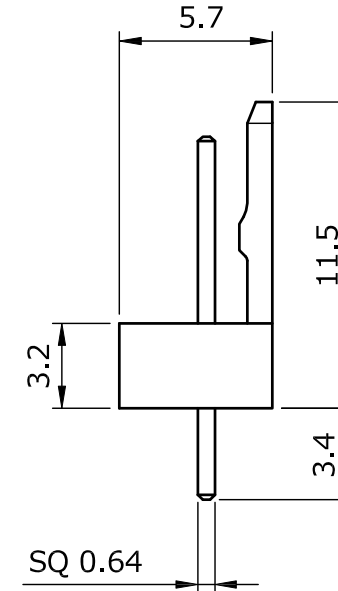
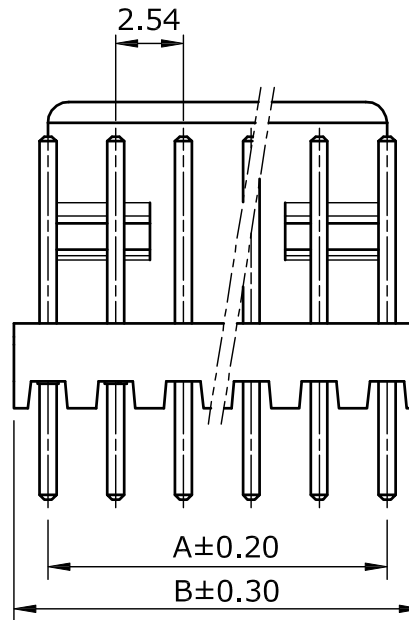
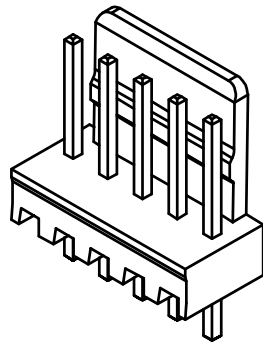
Current Rating: 4A AC/DC
 Voltage Rating: 250V AC/DC
 Contact Resistance: 10m Ω Max
 Insulation Resistance: 1000M Ω Min
 Withstanding Voltage: 1000V AC for 1 minute
 Temperature Range: -25°C to +85°C
 Contact : Brass, Tin plated
 Insulator: NY66, UL94V-2

ORDER INFORMATION

W 2542L - XX



| PIN NO. | Dimension | |
|---------|-----------|-------|
| | A | B |
| 2 | 2.54 | 5.08 |
| 3 | 5.08 | 7.62 |
| 4 | 7.62 | 10.16 |
| 5 | 10.16 | 12.70 |
| 6 | 12.70 | 15.24 |
| 7 | 15.24 | 17.78 |
| 8 | 17.78 | 20.32 |
| 9 | 20.32 | 22.86 |
| 10 | 22.86 | 25.40 |
| 11 | 25.40 | 27.94 |
| 12 | 27.94 | 30.48 |
| 13 | 30.48 | 33.02 |
| 14 | 33.02 | 35.56 |
| 15 | 35.56 | 38.10 |
| 16 | 38.10 | 40.64 |



Recommended PCB Layout



Morecrafts Technology
 TEL: +886-2-2966-1326
 FAX: +886-2-2966-1352
 www.morecrafts.com.tw

| | | | |
|-------------|------------|----------|---------|
| PART NO. | W2542L-XX | DRAWN | Andrew |
| DRAWING NO. | W2542L-XX | CHECKED | Claudia |
| DATE | 2019/09/19 | APPROVED | Brian |

| | | | | | | | | | |
|--------|--------------------|------|----|-----------|-----------------------|-------|-----|------|----|
| TITLE: | 2.54mm pitch Wafer | REV. | A0 | TOLERANCE | .X ±0.25 .XX ±0.20 | SCALE | 1:1 | UNIT | mm |
|--------|--------------------|------|----|-----------|-----------------------|-------|-----|------|----|