

Finger-shaped

Attachable

Extruded
with solderpins

Extruded
standard length

Die-cast

Profiles

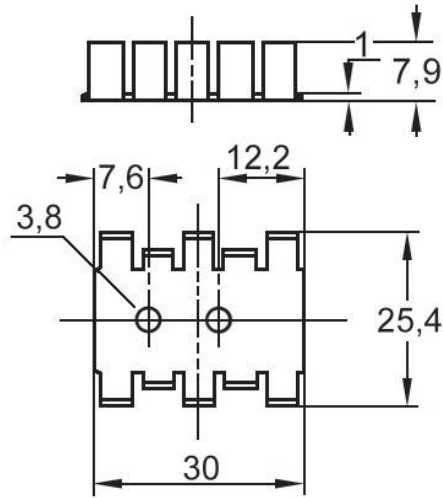
Mounting
accessories

Distance spacers

Fans

TO-220 / SOT-32

Wärmewiderstand
 Thermal resistance: 18 K/W

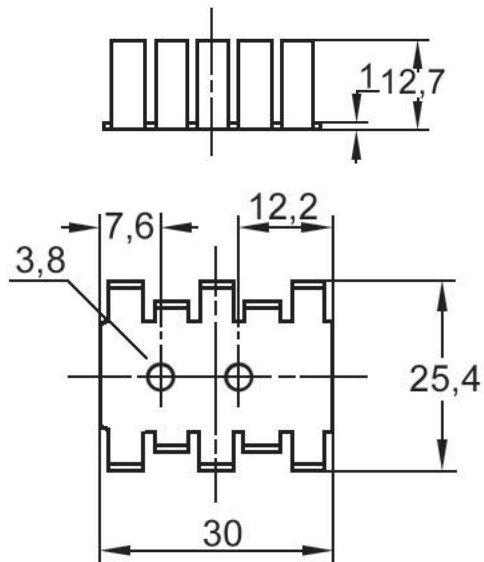
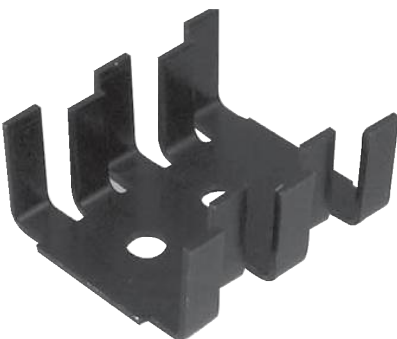


Bestellcode
 Ordercode

V 5236 B

TO-220 / SOT-32

Wärmewiderstand
 Thermal resistance: 15 K/W



Bestellcode
 Ordercode

V 5237 B

Alle Typen werden in schwarz eloxierter Ausführung geliefert
 All types will be delivered in black anodized finish