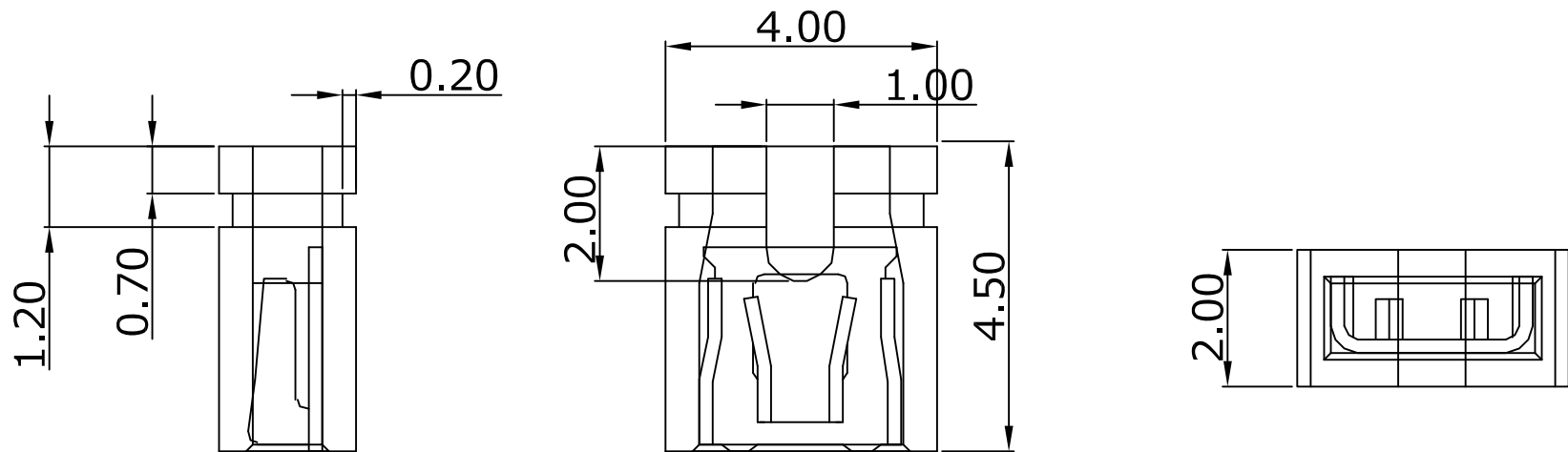


**SPECIFICATIONS**

Current Rating: 3Amps  
 Contact Resistance: 20mΩ Max  
 Insulation Resistance: 5000M Ω Min  
 Withstanding Voltage: 500V AC for 1 minute  
 Temperature Range: -40°C to +105°C  
 Contact Material: Brass/Phosphor Bronze  
 Material: PBT+ 30%G.F., UL94V-0

**ORDER INFORMATION**

U	B	20	X	X	-	X
Open 4.5mm			S0:Selective Flash S1:Selective 3u" S2:Selective 5u" S3:Selective 10u" S4:Selective 15u" S5:Selective 30u"	B: Brass P:Phosphor Bronze		B:Black Insulator E:Green Insulator G:Gray Insulator R:Red Insulator U:Blue Insulator W:White Insulator Y:Yellow Insulator
Pitch 2.00mm						



Morecrafts Technology  
 TEL: +886-2-2966-1326  
 FAX: +886-2-2966-1352  
 www.morecrafts.com.tw

PART NO.	UB20XX-X	DRAWN	Andrew
DRAWING NO.	UB20XX-X	CHECKED	Claudia
DATE	2006/12/06	APPROVED	Brian

TITLE:	Mini Jumper 2.00mm Pitch	REV.	A0	TOLERANCE	.X ±0.25 .XX ±0.20	SCALE	1:1	UNIT	mm	NO.	REV.	REVISION	DATE
--------	--------------------------	------	----	-----------	-----------------------	-------	-----	------	----	-----	------	----------	------