

TSR-3590

精密多圈繞電位器

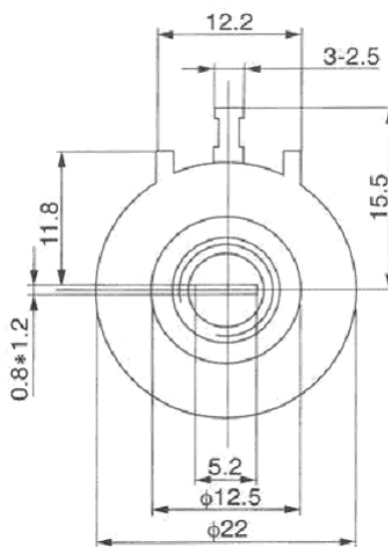
■ 多圈的/圓形/繞繞/面板式
 ■ (Multiturn/ Round/ Wirewound)

■ 2種轉軸的樣式
 ■ (2 Shaft Styles)

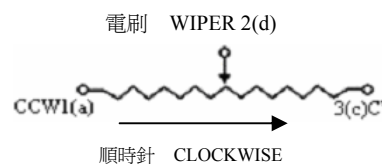
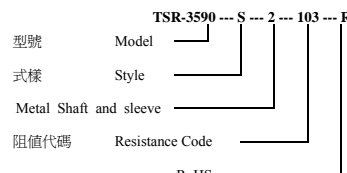


電氣特性 Electrical Characteristics	
標稱阻值範圍 Standard Resistance Range	1KΩ - 100KΩ
阻值允許偏差 Resistance Tolerance	±5%
獨立綫性度 Independent Linearity	±0.5%
有效電行程 Effective Electrical Travel	≥3600° - 10°
終端電阻 Terminial Resistance	≤0.2% 或 5Ω
轉動噪音 Noise	≤3% R 或 5Ω
絕緣電阻 Insulation Resistance	R _i ≥ 1GΩ
耐電壓 Withstand Voltage	101.3kPa710V, 8.5kPa470V

共有尺寸 Common Dimensions

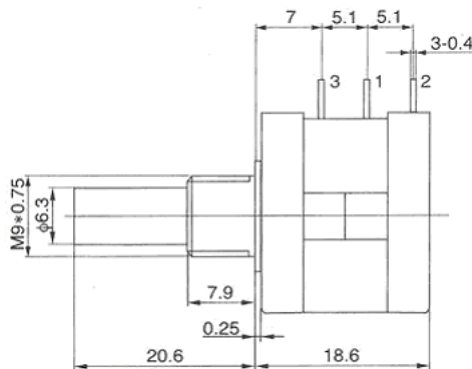


訂購指南 How to Order



圖中公差：除注明外均為±0.25
 Tolerance is ±0.25 if no identification

環境特性 Environmental Characteristics	
額定功率 Power Rating (500volts max)	0.5W@+70°C, 0W@+125°C
工作溫度範圍 Temperature Range	-55°C ~ +125°C
電阻溫度係數 Temperature Coefficient	±100ppm/°C
溫度變化 Temperature Variation	ΔR ≤ ±2%R, Δ(Uab/Uac) ≤ ±1%
碰撞 Collision	390m/s ² , 4000cycles, R _i ≤ 1%R
振動 Vibration	10-500Hz, 0.75mm, 或 98m/s ² , 6h ΔR ≤ ±1%R, Δ(Uab/Uac) ≤ ±2%
氣候順序 Climate Category	ΔR ≤ ±3%R, R _i ≥ 100MΩ
70°C 電氣久性 Electrical Endurance at 70°C	2W, 1000h, ΔR ≤ ±3%R
機械耐久性 Mechanical Endurance	10000 周 (cycles), ΔR ≤ ±3%R
穩態溫熱 Steady damp-heat	ΔR ≤ ±3%R, R _i ≥ 100MΩ



阻值代碼表
 Standard Resistance table

Resistance(Ohms)	Resistance Code
1,000	102
2,000	202
5,000	502
10,000	103
20,000	203
50,000	503
100,000	104

可按用戶要求提供特殊規格
 Special resistances available.

物理特性 Physical Characteristics	
總機械行程 Total Mechanical Travel	≥3600° ± 10°
起動力程 Starting Torque	≤36mN·m
離合器力矩 Clutch Torque	≥300mN·m
標準包裝 Standard Packaging	10 只/盒 (pcs/box) 20 只/盒 (pcs/box)

Note: Specification are subject to change without notice. For more detail and update, please visit our website.