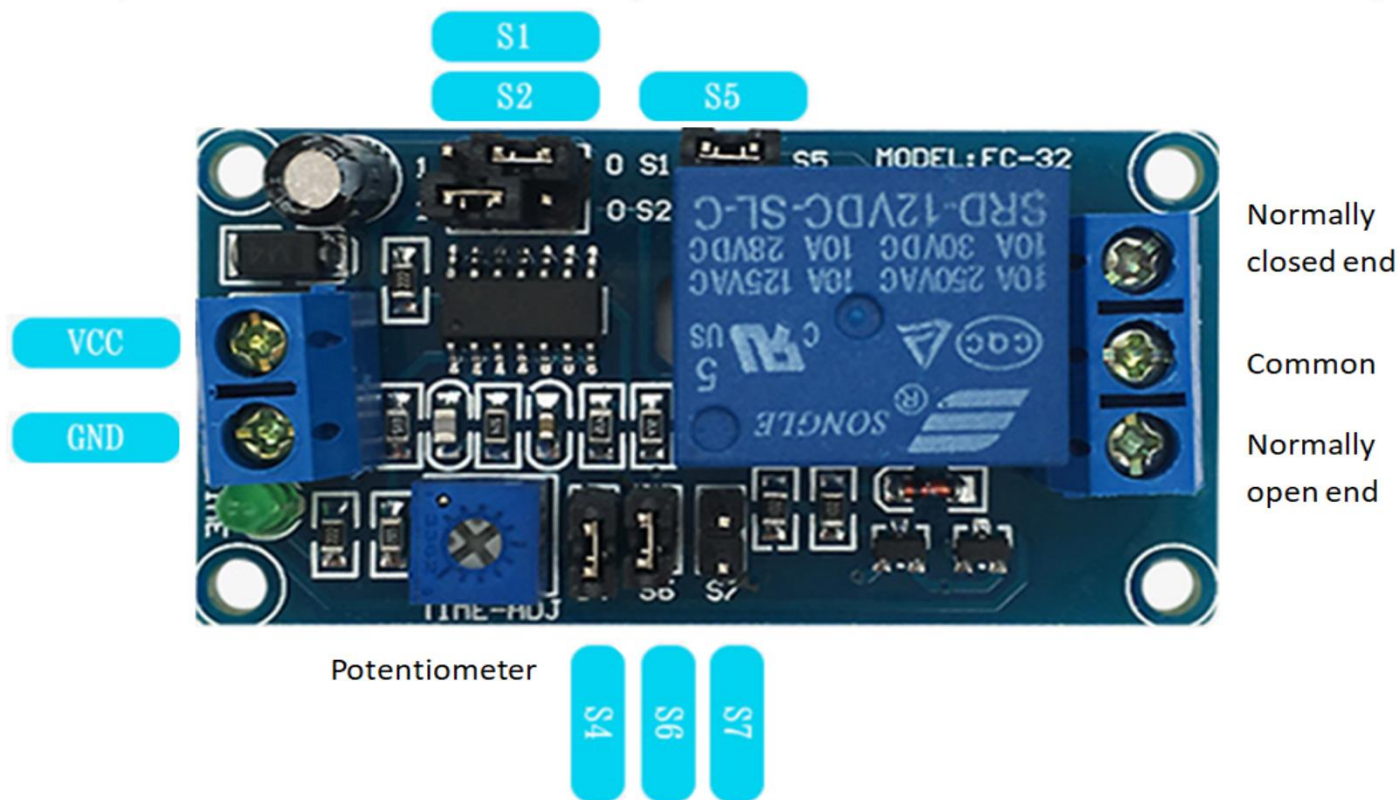


**Electrical Parameters:**

Power on time-delay relay module 12V	
Power supply voltage:	5V/12V
Quiescent current	2.5mA/5.5mA
Maximum working current	70mA/42mA
Delay time type:	Power on time-delay ( time range refer to below picture)
Load voltage:	DC 30V or AC 250V
Load current	10A
The service life of relay	> 10 million times
The maximum frequency of switch	≤5KHz
Product weight:	About 22g
Structure size:	57*30*18.5mm(length*width*height)
Location hole size:	52*25mm



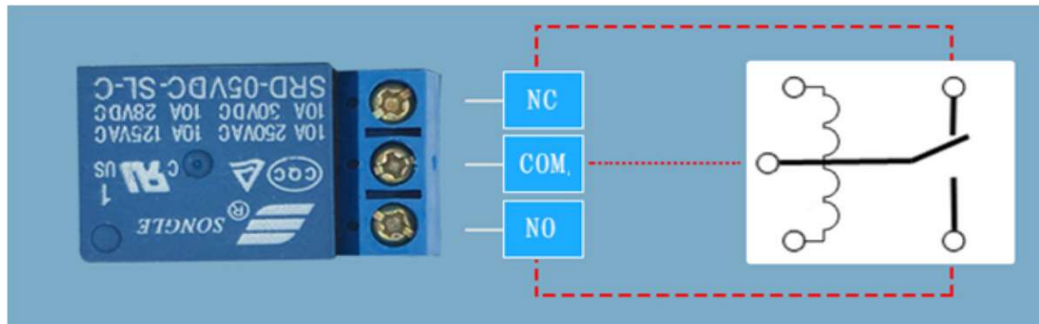
**Interface description:**

1. When S6 jumper cap is plugged in, and S7 isn't plugged in, the module will start timing as soon as the power on( time range adjustable), and the relay get adsorb immediately at the same time. Relay public end connect with normally open end, delay time end, relay release, relay common end connect with normally close end.
2. When S7 jumper cap is plugged in, and S6 isn't plugged in, the module will start timing as soon as the power on( time range adjustable), and the relay doesn't get adsorb(disconnect), delay time end, relay get adsorb, relay common end connect with normally open end.

Potentiometer adjustable time range				
S1	0	1	0	1
S2	1	0	0	1
Time of S4 open	0.13-1.3 second	0.5-5.2 second	4.4-42 second	38-340 second
Time of S4 linked	1.5-14.5 second	6-58 second	48-463 second	389-3700second

**Special attention:**

Don't plug S5 jumper cap when relay control voltage of AC 220V or any more than VCC terminal DC power voltage. Or high voltage will backflow into module and result to the damage of module.



When relay is energised, com. makes connection with the N.O. contact, to switch ON the load.

With the power removed the relay disconnect, com connection with N.C. contact opens, and switches OFF the load.

**Notes:**

- 1.Power and load please use as parameter range, don't use over range.
- 2.Rated load and life are a reference value , they may be different according to environment, load nature and kinds. So it is the best to proceed in actual use.
- 3.Load capacity of this module is effected by environment temperature and itself temperature. It need to according to actual working environmental condition and use air convection to heat dissipation, so it is asked to install in good convection environment.
- 4.Electricity durability under high temperature: electricity durability under high temperature is lower than normal temperature, please confirm in actual use.