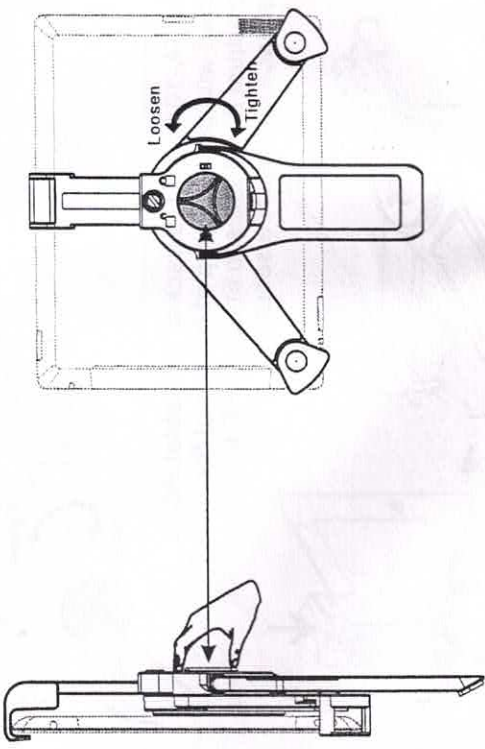


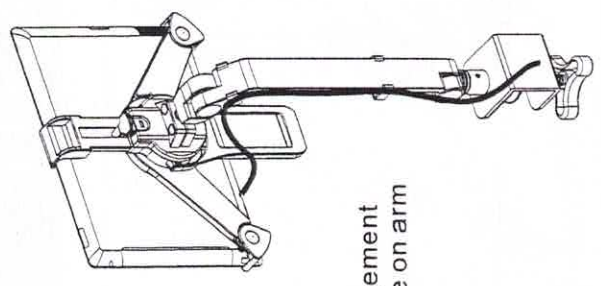
Step 4

Adjust the circular piece between the TA-101 bracket and the tablet PC to achieve a tight fit by tightening in the center of the TA-101 bracket.



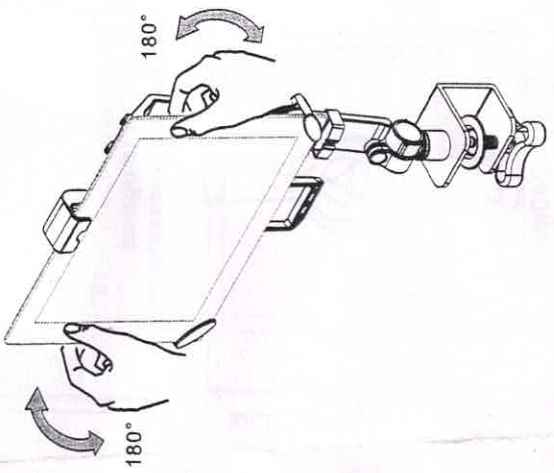
Step 6

Cable management arrange cable on arm as required.



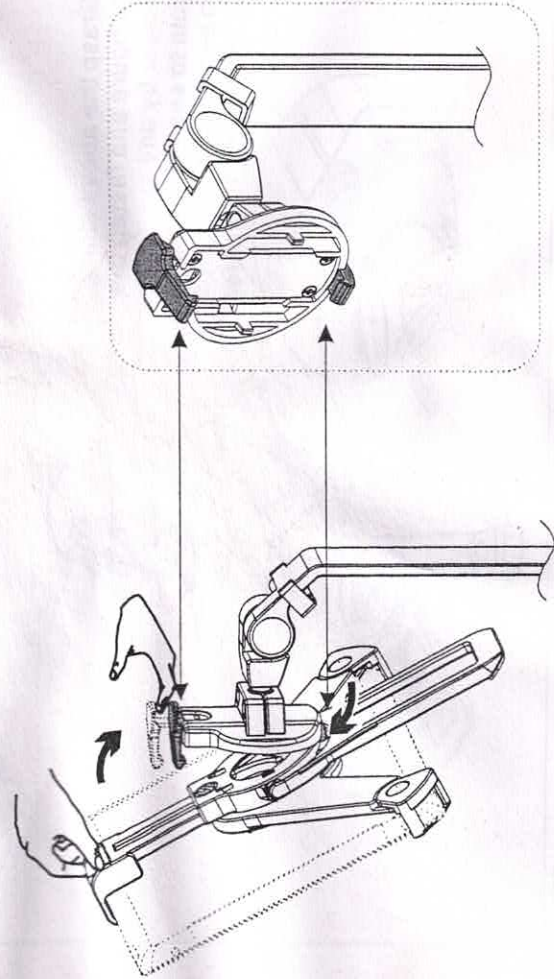
Note:

It is important to grasp tablet PC when adjusting.

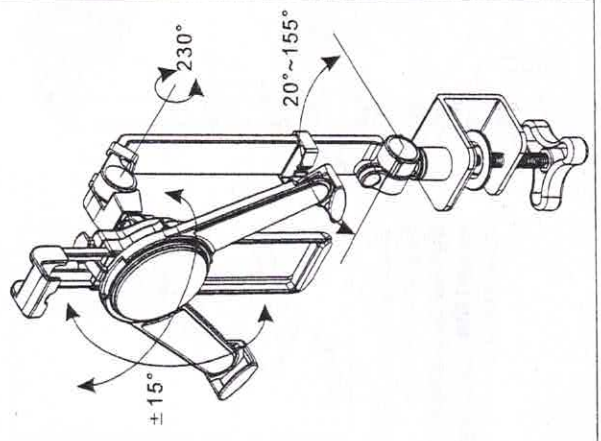


Assemble the holder with the tablet PC and the VESA adapter together.

Step 5

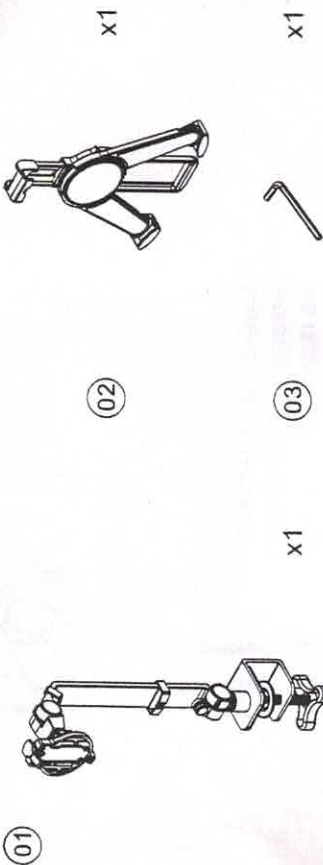


Range of use angle:



TA-111

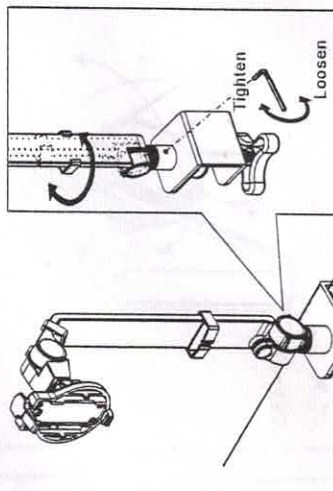
check list



Assembly Guide

Step 1

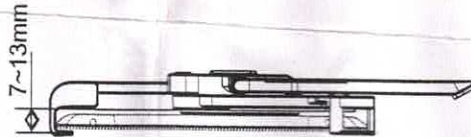
Fits desk thicknesses ~37mm, then clamp the arm to the desk.



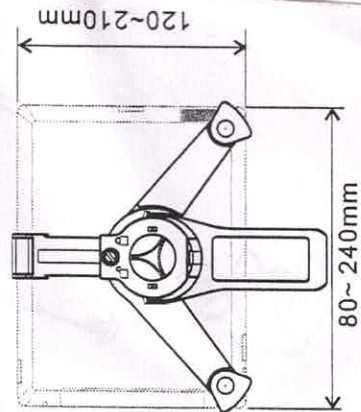
Use the 2 mm Allen key to loosen or tighten the screw to adjust the movement of arm.

Step 2

For tablet PC thickness: 7~13 mm

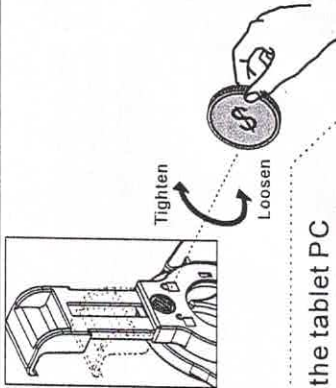


Works with most 7" - 10" tablet PC (diagonal widescreen measurement).

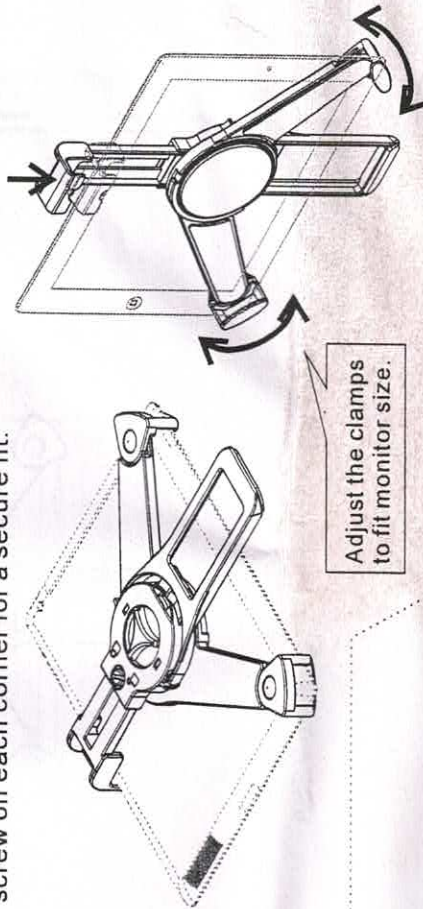


Step 3

To adjust the TA-101 to fit the tablet PC, use the coin to loosen the screw.



Place the TA-101 over the back of the tablet PC (positioned with single clamp at the top of the tablet PC) and adjust the clamps to fit tablet PC tighten screw on each corner for a secure fit.



Grasp the above clamp as figure and fasten the holder by any available coin to secure the holder to avoid that the tablet PC comes off the holder.

