

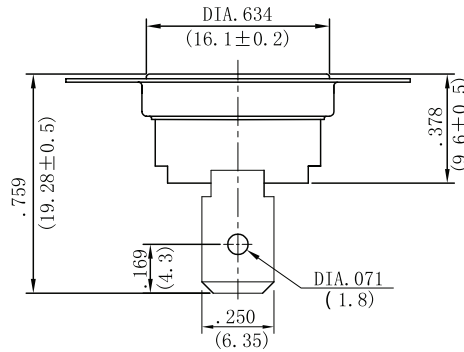
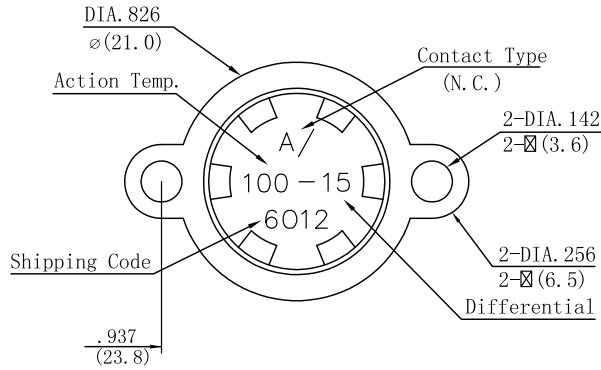


PART NO.

T23A112ASR2-15

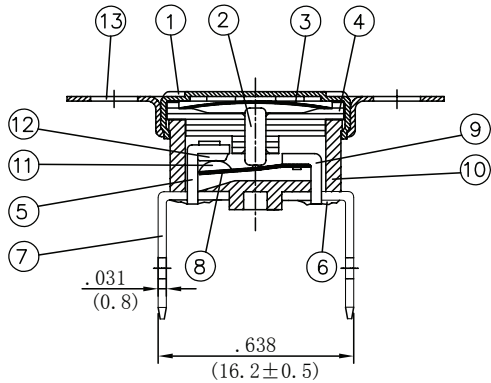
REVISIONS

ECN #	REV	DESCRIPTION	DRAWN	DATE	CHECKD	DATE	APPRVD	DATE
-	1.0	RELEASED	AB	19/10/16	ER	19/10/16	ER	19/10/16



Specifications:

Contact Type	: Normally Closed
Action Temperature	: 112°C ±3°C
Reset Temperature	: 97°C ±4°C
Terminal Size	: Amp #250 Tab.
Circuit Resistance	: 50mΩ Max.
Insulation Resistance	: 100MΩ min. at DC 500V
Dielectric Strength	: AC 1,250V for One minute or AC 1,800V for One Sec.



No.	Part Name	Material
1	Sensing Cap	Aluminium
2	Actuating Pin	Ceramic
3	Bimetal disc	Bimetal
4	Retainer	PPS
5	Stationary arm	Brass Tin Plated
6	Solder	Tin
7	Terminal	Brass Tin Plated
8	Movable arm	Beryllium Copper
9	Terminal-J	Brass Tin Plated
10	Case	PPS
11	Contact-R	Silver alloy
12	Contact-F	Silver alloy
13	Bracket	Steel Nickel Plated

Part Number Table

Description	Part Number
Thermal Switch, NC, 112°C	T23A112ASR2-15

Dimensions : Inches (Millimetres)

www.element14.com
www.farnell.com
www.newark.com

Important Notice : This data sheet and its contents (the "Information") belong to the members of the Premier Farnell group of companies (the "Group") or are licensed to it. No licence is granted for the use of it other than for information purposes in connection with the products to which it relates. No licence of any intellectual property rights is granted. The Information is subject to change without notice and replaces all data sheets previously supplied. The Information supplied is believed to be accurate but the Group assumes no responsibility for its accuracy or completeness, any error in or omission from it or for any use made of it. Users of this data sheet should check for themselves the Information and the suitability of the products for their purpose and not make any assumptions based on information included or omitted. Liability for loss or damage resulting from any reliance on the Information or use of it (including liability resulting from negligence or where the Group was aware of the possibility of such loss or damage arising) is excluded. This will not operate to limit or restrict the Group's liability for death or personal injury resulting from its negligence. Multicomp is the registered trademark of the Group. © Premier Farnell plc 2012.

TOLERANCES: UNLESS OTHERWISE SPECIFIED, DIMENSIONS ARE FOR REFERENCE PURPOSES ONLY.	DRAWN BY:	DATE:	DRAWING TITLE:			
	AB	19/10/16	Thermal Switch			
	CHECKED BY:	DATE:				
	ER	19/10/16				
	APPROVED BY:	DATE:	SIZE	DWG NO.	ELECTRONIC FILE	REV
	ER	19/10/16	A4	000002	002	1.0
			SCALE: NTS	U.O.M.: Inch (mm)	SHEET: 1 of 1	