

Sonoff T1 UK User Guide

Hi, welcome to use Sonoff T1 1-3 gang WiFi & RF wall touch switch! You can touch the switch on/off, or use App eWeLink/433MHz RF Remote to turn on/off.

1. Download “eWeLink” app

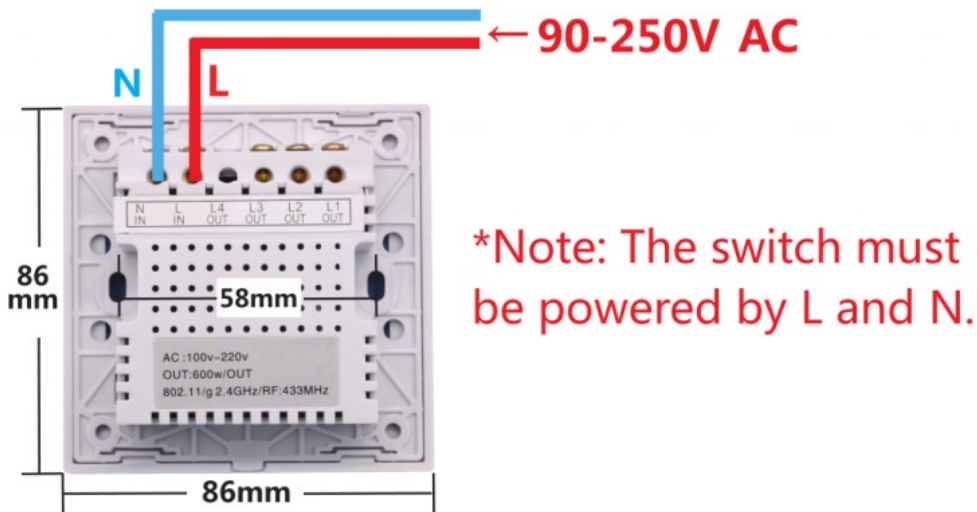
Install the APP



Search “eWeLink” in APP Store for iOS version or Google play for Android version.

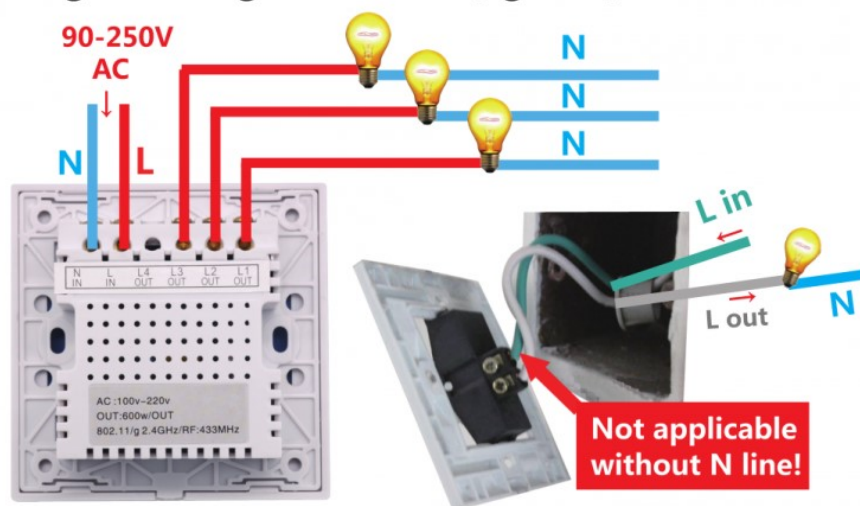
2. Installation

ON/OFF operating principle: The connected appliances work/stop through the Live wire's power on/off.

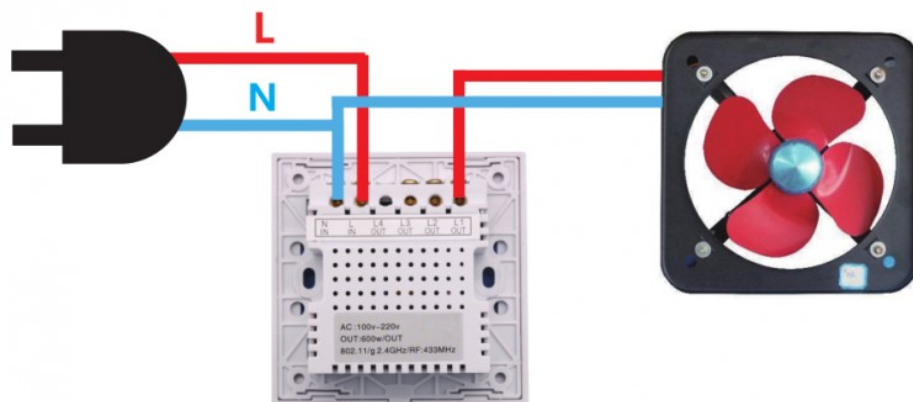


CAUTION: Before installing the switch, make sure you have totally 100% cut off the power supply.

2.1 If you want to connect with lights, the wiring instruction is as below. Here we take 3 gang switch for example:

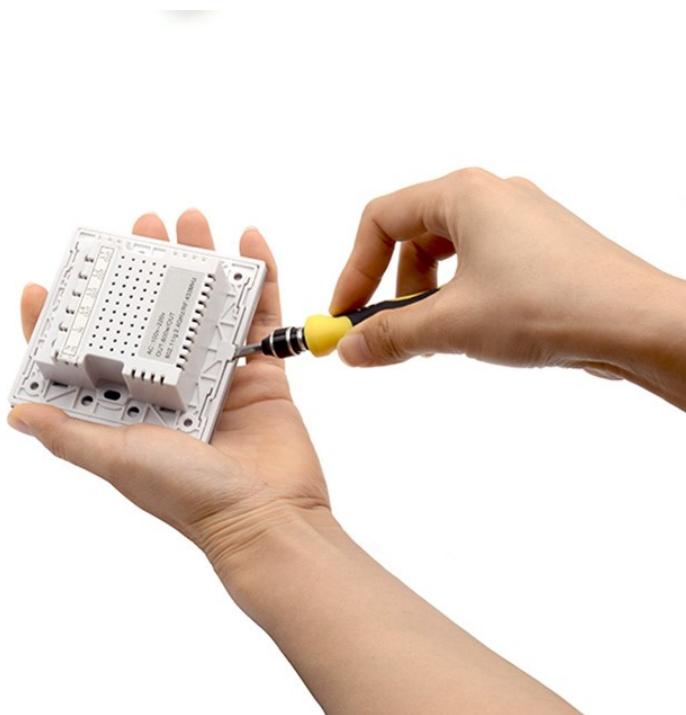


2.2 If you want to connect with the appliance with rated power lower than 600W, the wiring instruction is as below. Here we take the 1 gang switch for example:



The switch must be powered up through Lin (Live input) and Nin (neutral input). While L1 out, L2 out, L3 out, L4 out are Live output for each gang.

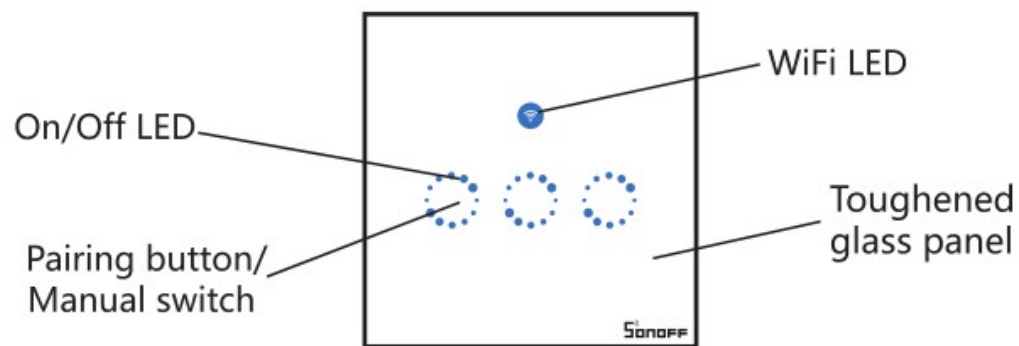
After connecting the wires, please use a screwdriver to open the panel. The position is shown below:



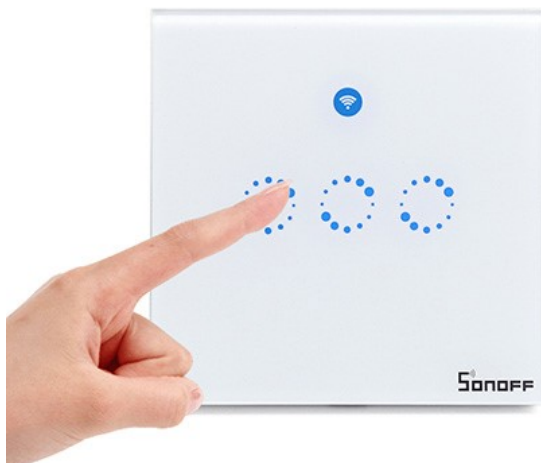
Then use two screws to fix the back enclosure into the wall box. Then close the panel.



2. Add device



1. Power up your the wall switch.
2. Press the first button for 7 seconds until it fast blinks to enter into WiFi pairing status.



3. The blinking way is: blink 3 times and on repeatedly. ●

For Android users, please select the first icon and click NEXT.

For iOS users, please select the corresponding icon, click NEXT.

EWeLink will auto-search and connect to the device.



4. Input your home SSID & password:

4.1 If no password, keep it blank.

4.2 Now eWeLink only support 2.4G WiFi communication protocol, 5G-WiFi is not supported.



5. Name the device to complete.

6. Maybe the device is “Offline” on eWeLink, for the device needs 1-2 minutes to connect to your router and server. When the green LED on, the device is “Online”, if eWeLink shows still “Offline”, please close eWeLink and re-open.

3. RF Remote:



T433 86 Type RF Remote



4-button RF Remote

3.1 Pair with 433MHz RF Remote

You'll need to pair the 3 gangs one by one. Press and hold the touch button of T1 until you hear a beep sound. Press a button on RF Remote. You'll hear a beep sound when it's being

learned successfully. Repeat above steps to pair the other gangs with the RF Remote. One RF button can learn with more than 1 gang. 1 gang can remember 14 RF keys.

Please note that for T433 86 type RF Remote, you'll need to install the battery into the RF Remote first. Then follow the above instruction to learn 433MHz codes. You can install the T433 to a 86 type wall switch box, or just stick it to anywhere on the wall.

3.2 Clear 433MHz codes

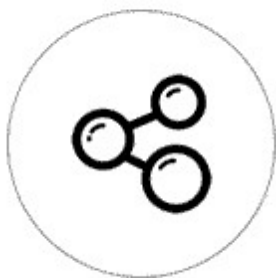
Press and hold the touch button of T1 until you hear two beep sounds. Press any button on the RF Remote. You'll hear a beep sound when the code is cleared successfully.

4. APP features

4.1 WiFi remote control and synchronous device status

Turn on/off by tapping device icon on App. Device status always simultaneously display on APP.

4.2 Share Control



The owner can share the devices to other eWeLink accounts. While sharing devices, both should stay online on eWeLink (keep the screen lighted). Because if the account you want to share is not online, he/she will not receive the invitation message.

How to make it possible? Firstly click Share, input the eWeLink account (phone number or

email address) you want to share, tick the timer permissions (edit/delete/change/enable) you want to give, then click Next. The other account will receive an invitation message. Click Accept, the device has shared successfully. The other user will have access to control the device.

3. Timing schedules



Support max 8 enabled single/repeat/countdown timing schedules each device.

4. Scene/Smart Scene

Scene allows triggering on/off your devices automatically. Scene Settings is in the upper right corner of Device List. You can set up scenes or smart scenes to trigger on/off the device.

Users should select “Click to execute” in the condition, add different existing devices, name the scene and save it.

5. Set default device status



In **Device Setting**, you can set default device status to **ON** or **OFF** when the device is powered on.

6. Security mechanism

One device one owner. Other people can not add the devices that have already been added. If you want to add your device to another account, don't forget to delete it first.

7. Update

It will auto-remind you of new firmware or version. Please update as soon as you can.

5. Problems and solutions

Read the detailed [FAQ](#) on Itead Smart Home Forum. If below answers can't solve your problem, please submit a feedback on eWeLink.

1. My device has added successfully but stays "Offline".

Answers: The newly added device need 1-2 min to connect to your router and the Internet. If it stays offline for a long time, please judge the problem by the green led status:

1.1. Green led quickly blinks one time and repeats, which means device failed to connect to the router. The reason may be you have entered wrong WiFi password or your device is too far away from the router, which causes a weak WiFi signal. The device can not be added to the 5G-wifi-router, only the 2.4G-wifi is OK. At last, make sure that your router is MAC-open.

1.2. Green led slowly blinks one time and repeats, which means the device has connected to router and server but failed to be added to the device list. Then power on the device again, if it still not working, just add the device again.

1.3. Green led quickly blinks twice and repeats, this means the device has connected to the router but failed to connect to the server. Then please confirm your WiFi router works normally.

2. Why the APP can't find the device in pairing status?

Answers: That's because of your phone's cache. Please close the WLAN of your phone then open it after a minute. At the same time, please power off the device if you can, then power up to try again.

3. My WiFi is expired, can I connect the devices to LAN?

Answers: the Sonoff T1 doesn't support to be controlled by LAN. You'll need to connect it to a WiFi with Internet.

4. The green led keeps off, even if the device is powered on. Press the button but the device does not work.

Answers: The circuit may be broken, please send it back for testing. Return shipping postage and packaging will be at buyer's expense, if the device is damaged by the buyer, and the buyer should bear extra repair cost.

 店长 / 2017年6月23日

eWelink / 自豪地采用WordPress