

东莞市博音电子有限公司

Dong Guan Bo Yin Electronic Co.Ltd

承認書

APPROVAL SHEET

CUSTOMER	客户	
PART NAME	品名	Dynamic telephone receiver
MODEL	型號	SD-150
DATE	日期	2022年8月19日

客户确认 (CUSTOMER APPROVAL)

核 准	工 程	品 管	签 章

确认结果: 合格 不合格 其它

Approve By (承认单位): Dong Guan BO YIN Electronic
Co.Ltd : 东莞市博音电子有限公司

Company Stamp (盖章): Signature (签名): _____

公司地址: 中国 东莞市樟木头镇

ADD: ZHANGMUTOU TOWN , DONGGUAN, CHINA

Website: <http://www.boyindz.com>

E-mail: sunpower1202@163.com

TEL: 0769-82975087, FAX: 0769-82975096 MB:15625566588

BY 东莞市博音电子有限公司	博音编号	BY0500022
	客户编号	
SD-150 Dynamic telephone receiver	版本	页数
	1. 00	1/5

1. General Performance

Model type	SD-150-37g
Resistance	150±20%
Sensitivity	96±3dB at 1 kHz
Test equipment	JH6161(R)
Test voltage	60 mV
Power	0.1 W

2. Environmental Characteristics

Working Temperature	-15°C O +60°C
Working Humidity	30%~75%RH (NO dew condensation)
Storage Temperature	-20°C o+70°C
Storage Humidity	20%~80%(Water vapor pressure 6643pa Max
Storage life	1 year
Machine failure rate	10ppm Max

BY 东莞市博音电子有限公司	博音编号	BY0500022
	客户编号	
SD-150 Dynamic telephone receiver	版本	页数
	1. 00	2/5

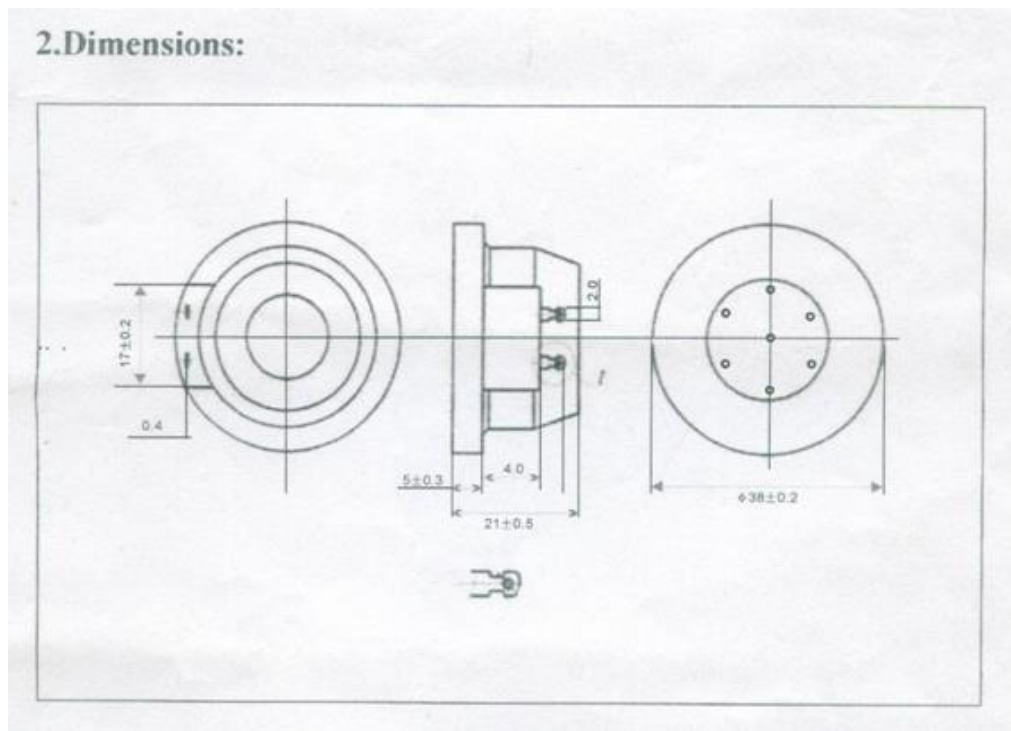
三. Reliability Performance

Perform ance	Item	Condition	Requireme nt	Use Device
Electrica l Perform ance	High temperature resistance	70°C±2°C 30h		Baking oven
	Low temperature resistance	-20°C 30h		Freezer
	Thermal Shock Test	-20°C-70°C 30min, the rise and fall temperature should be below 10Min. Fifty loops		Baking oven& Freezer
	Heat and humidity resistance	Temperature 40 ± 2 °C humidity: 80%30 hours		Humidifyin g oven
Welding perform ance	Solderability	Electric iron temperature: 300 ± 20°C 1±0.5 seconds		Soldering iron
	Soldering Heat Resistance	Electric iron 300 ± 20 °C 1 ± 0.5 seconds		Reflow
Mechan ical perform ance	Drop test	Drop the board from 75±5CM height to 2CM thickness 3 times		Self-control
	Vibration test	Vibration frequency: 10-45Hz; Amplitude: 1mm acceleration: 10G; Vibration speed change 10 ~ 45 ~ 10HZ; The vibration time of X,Y and Z axes : 1 hour		External
	Welding needle tension	The lower end of the welding needle was loaded with 2Kg,10±1 seconds		Chest

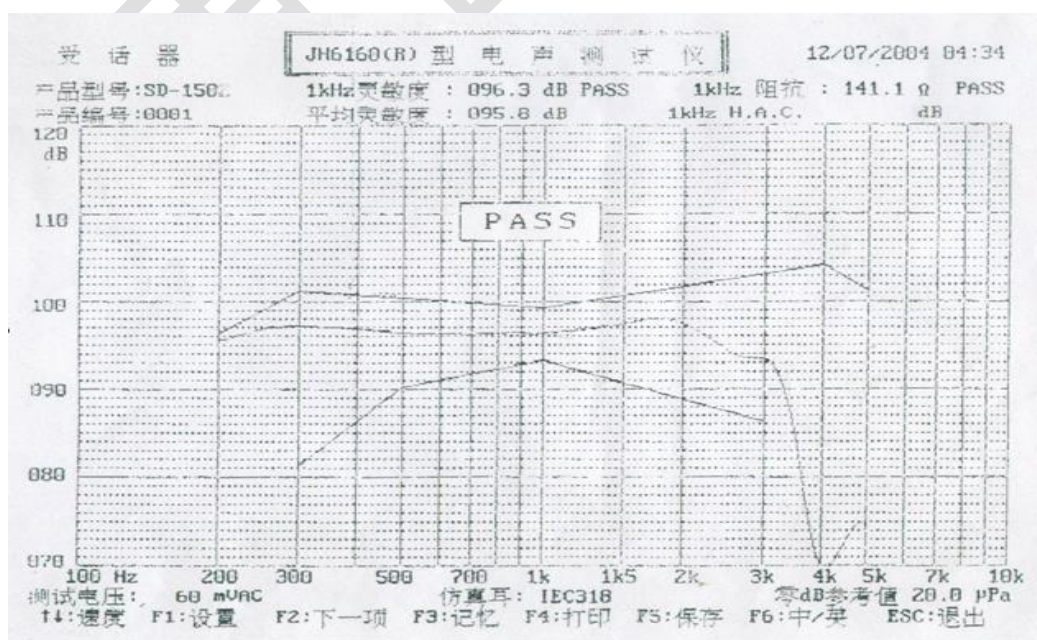
* The above electrical performance test equipment is 200B, which can be tested one hour after the test.

BY 东莞市博音电子有限公司	博音编号	BY0500022
	客户编号	
SD-150 Dynamic telephone receiver	版本	页数
	1.00	3/5

4. Overall dimension



5. Frequency response curve



BY 东莞市博音电子有限公司	博音编号	BY0500022
	客户编号	
SD-150 Dynamic telephone receiver	版本	页数
	1. 00	4/5

6. Material BOM list and ingredients

Material name	Material No.	Material composition	Material content (%)	Supplier name	Remark
Shell	BY000002	ABS Epoxy	25	镇江奇美	
T Iron board	BY000003	Thin slab	35	樊氏电子配件厂	
Steel magnet	BY000005	Ferrite	35	鑫林磁钢	
Contact pin	BY000006	Cu	5	乐清市城南电镀	
Voice coil	BY000007	Enameled wire 0.038	Φ74xH23	金恒	
Vibrating diaphragm	BY000008	PET		宇达电声	

7. Appearance inspection standard

Checklist		Ranking	Sampling standard	Inspection method	Inspection standards
Appearance	Contact pin	A	G-II,AQL=0.25	Visual Observation	Silver-plated bright, no yellowing, spots.
	Shell	B	G-II,AQL=0.25	Visual Observation	No serious yellowing, obvious markings, no obvious scratches.
	Product Identification	B	G-II,AQL=0.01	Visual Observation	The product label must be legible, the words are consistent with the contract review

8. Code rules of product material number:

BY20090906011



Company code date Grade

9. Identification of Components

BY Material no.	
Company Name	Dong Guan BO YIN Electronic Co.Ltd
P/N(Outer package mark)	SD-150 TBI-GT2009 09 06
Identification	SD-150: Product model
	TBI-GT XX: Production date

BY 东莞市博音电子有限公司	博音编号	HY0500022
	客户编号	
SD-150 Dynamic telephone receiver	版本	页数
	1. 00	5/5

10. Manual welding temperature:

Manual welding temperature $280 \pm 20^{\circ}\text{C}$, welding time 1 ± 0 , 5S. $\Delta f/f < 10\text{ppm}$, $\Delta \text{RS} < 10\%$

11. Conditions of storage and use

1. Storage conditions

(1) Storage temperature: -10°C to $+40^{\circ}\text{C}$

(2) Storage humidity: below 71%

(3) Storage term: Use within 1 year after inclusion. More than 1 year, please confirm the weldability before use.

Note: The storage environment should not be acidic or alkaline or other chemical corrosive gases, and do not allow direct sunlight.

2, use conditions: ambient temperature; -20°C to $+70^{\circ}\text{C}$

Relative humidity: not more than 75% at 40°C

3, mechanical durability or single design working life: ≥ 3 years

12. Manufacturer and place of origin

Customer No. :

Name: Dynamic telephone receiver

Model number: SD - 150

Manufacturer: Dong Guan BO YIN Electronic Co.Ltd

Packing method: carton

Net weight: 10KG

Gross weight: 11KG

13. Packaging standards

<u>Standard packaging</u>	SHIPPING MARK		<u>Label</u>
<u>Outer packing</u>	<u>Carton packing</u>		
<u>Inner packing</u>	<u>Bubble packing</u>		

1. Quantity of foam packing box: 25PCS

2. Quantity of outer box: 500PCS

3, net weight: 18KG gross weight: 19KG