

STRG5643D Switching Power Supply Control Circuit

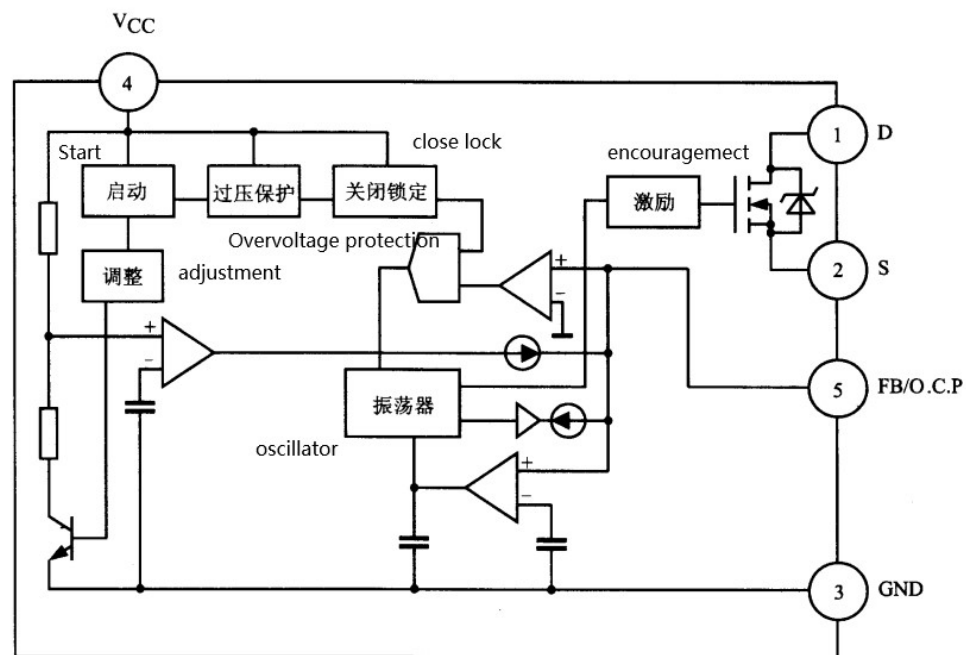
STRG5643D is a switching power supply thick film circuit developed by SANKEN Corporation.

It integrates a high-power N-channel FET, and also integrates some other circuits, such as oscillator circuit, starting circuit, voltage comparator, excitation circuit and series protection circuit. Starting voltage $V_{ccSTART}=16\text{ V}$, minimum working voltage $V_{ecoN}=10\text{ V}$.

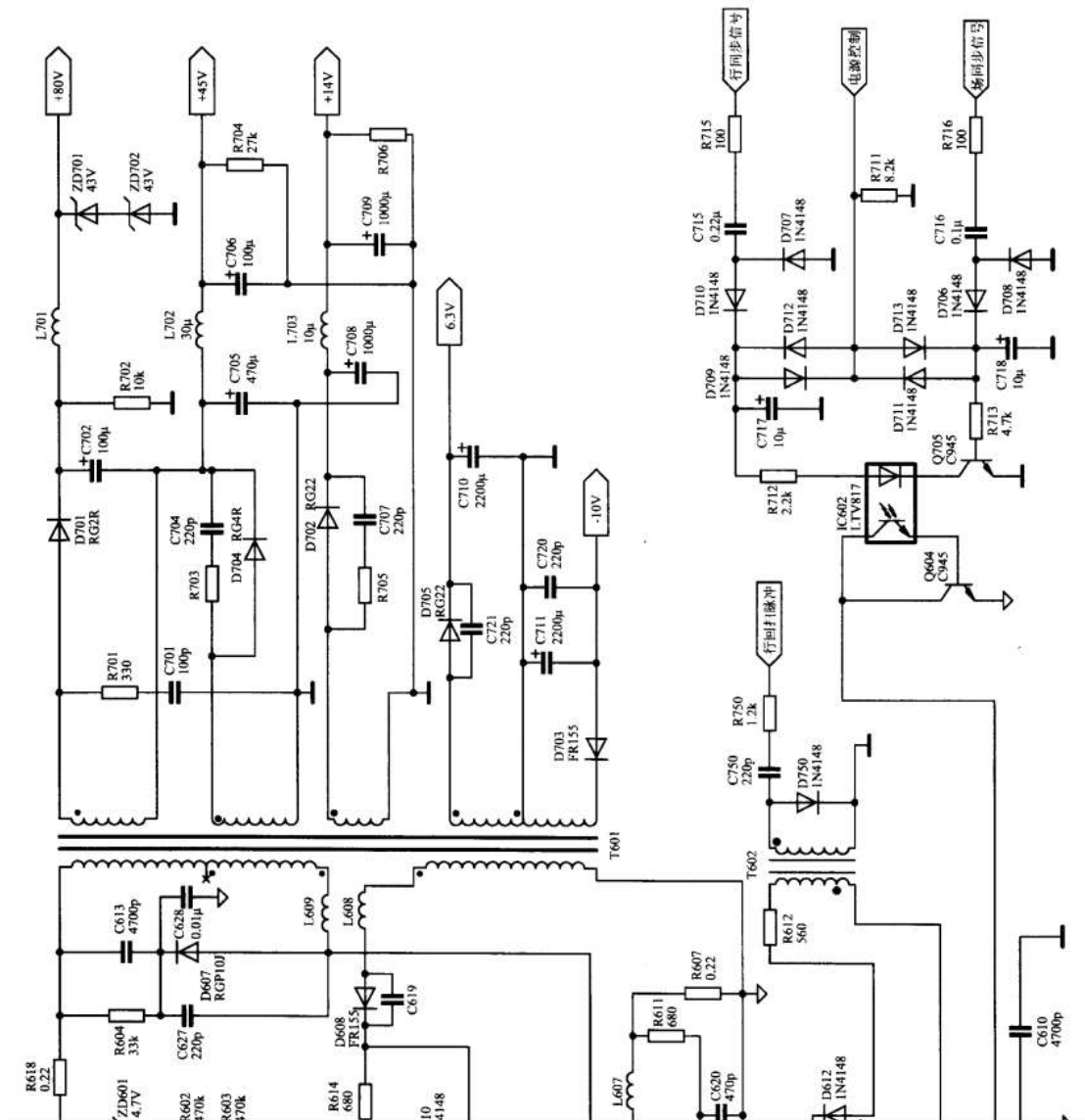
1. Pin function (see Table 112)

表112					
Foot number	Foot name	function	Foot number	Foot name	function
1	D	Built-in FET drain	4	Vcc	power supply
2	S	Built-in MOSFET source	5	FB/O.C.P	Overcurrent protection/Sample comparison/synchronous input
3	GND	Ground			

2. Internal block diagram (170)



3, typical application circuit (see Figure 171)



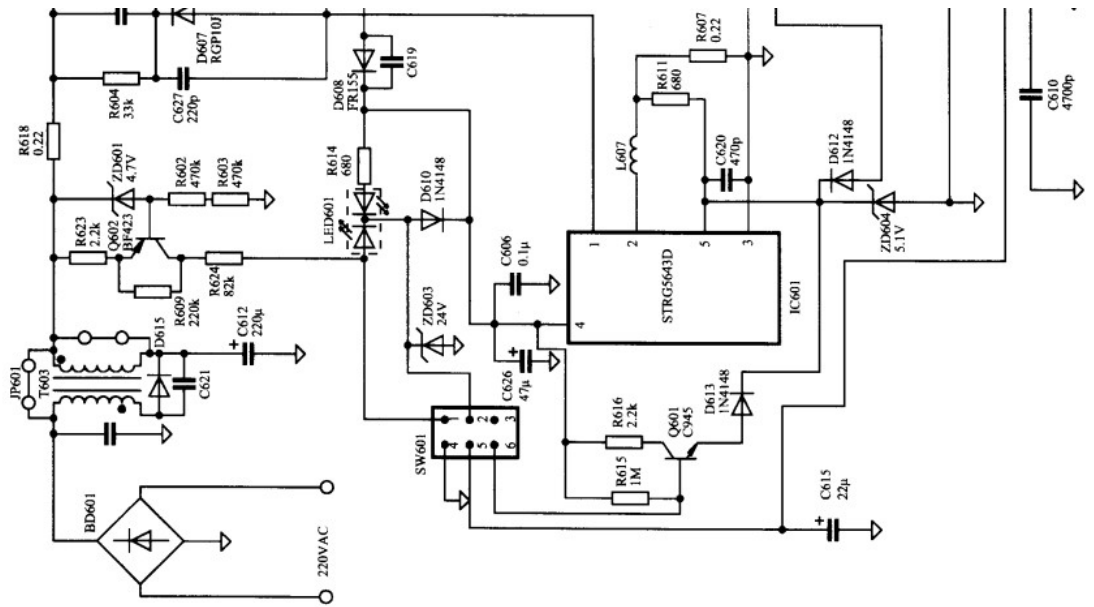


图 171 STRG5643D 典型应用电路