

STK 7400 SERIES

SW REGULATOR IC STK7400 SERIES
FIXED OSCILLATING TYPE

(SWレギュレーター IC STK7400シリーズ他励発振型)

Type No.	Maximum Rating 最大定格							Recommended operation condition 推奨動作条件	
	Voltage 電圧			Current 電流		Temp 温度	Power supply 電源電圧	Auxiliary voltage 補助電圧	
	*1 Pin1	Pin10	Pin11	*2 Pin16	Pin1	*3 Pin16	Substrate	Vcc	±Vs
	V	V	V	V	mA	A	°C	V	V
STK7402 STK7402-105	400	12 (Pin8)	-12	800	60	1.3	85 105	280	±9.0 ±0.5
STK7404 STK7404-105	400	12	-12	800	80	2.0	85 105	280	±9.0 ±0.5
STK7406 STK7406-105 STK7406T	400	12 10	-12 -10	800	100	3.0	85 105 85	280	±9.0 ±0.5
STK7408 STK7408-105 STK7408T	400	12 10	-12 -10	800	120	4.0	85 105 85	280	±9.0 ±0.5
STK7410 STK7410-105	400	10	-10	800	120	5.0	85 105	280	±9.0 ±0.5
STK7412 STK7412-105	400	10	-10	800	120	6.0	85 105	280	±9.0 ±0.5

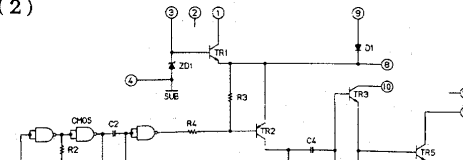
- Remarks
- * 1. Base Biased - 1V
 - * 2. Base Biased - 6V
Peak Voltage
 - * 3. Peak current
 - * 4. $V_{CE} = 10V$
 $I_C = 10mA$

■ EQUIVALENT CIRCUIT

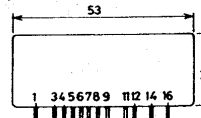
(1)

					Equivalent Circuit 等価回路	
Sw Power Tr パワートランジスタ	Starting Circuit 起動回路		Error Amp 誤差増幅	Oscillator 発振器	Package 外形図	Fig.
*4 hfe (Minimum)	Tr-hfe	Vzener1	Vzener2	Frequency		
		V	V	kHz	Fig.	Fig.
8 (5V/1A)	60	7.5	7.5	33	(1)	(1)
8 (5V/1A)	60	7.5	7.5	33	(2)	(2)
8 (5V/1A)	60	7.5	7.5	33	(2) (3)	(2)
8 (5V/1A)	60	7.5	7.5	33	(2) (3)	(2)
8 (5V/1A)	60	7.5	7.5	33	(2)	(3)
8 (5V/1A)	60	7.5	7.5	33	(2)	(3)

(2)



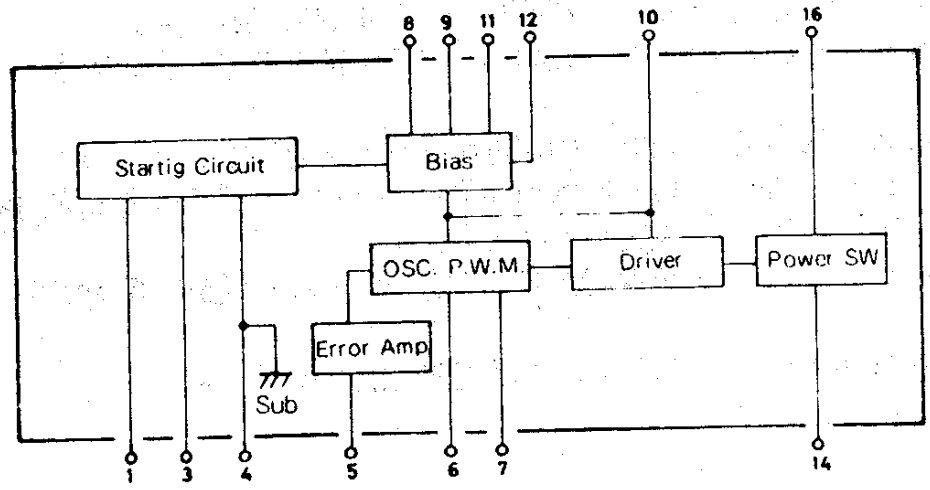
■ PACKAGE DIMENSION (1)



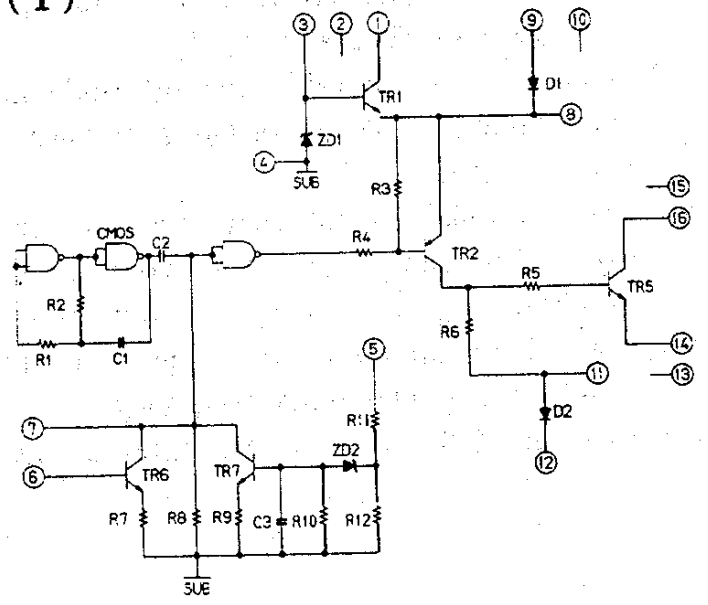
Remarks:

- * 1. Base Biased - 1V
- * 2. Base Biased - 6V
Peak Voltage
- * 3. Peak current
- * 4. $V_{CE} = 10V$
 $I_C = 10mA$

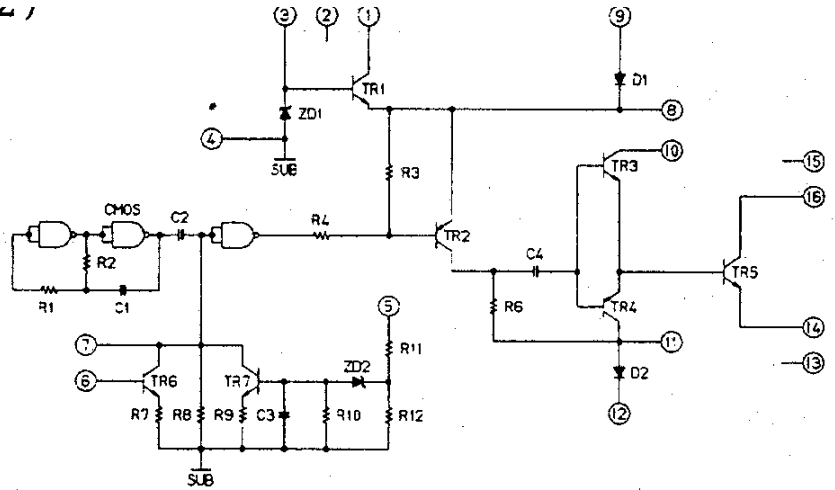
■ FUNCTIONAL EQUIVALENT CIRCUIT



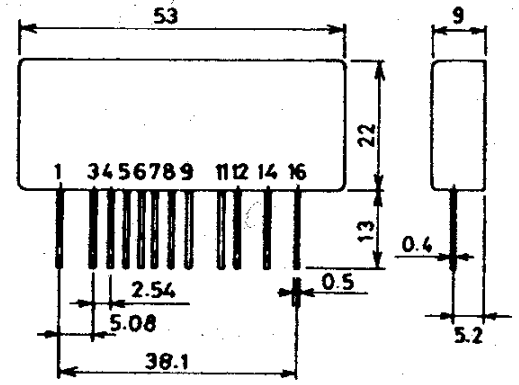
■ EQUIVALENT CIRCUIT (1)



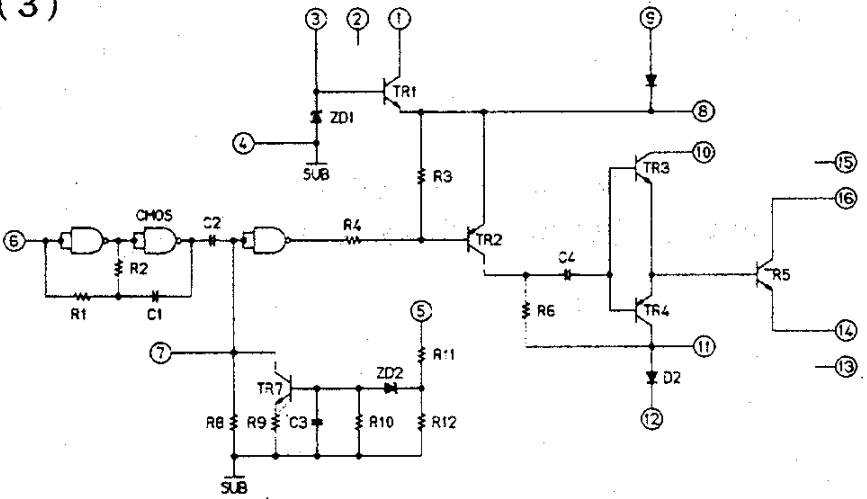
47



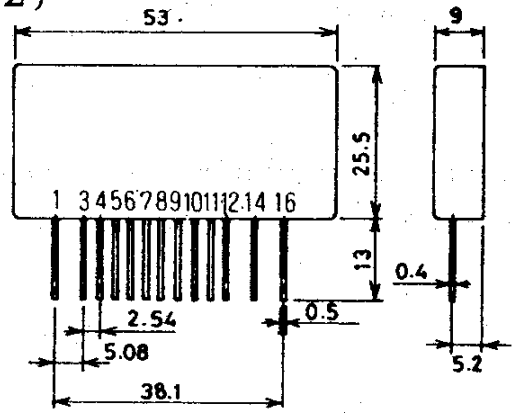
■ PACKAGE DIMENSION (1)



(3)



(2)



(3)

