

SANYO

S T K 6 7 2 2 H

Thick Film Hybrid IC

Function

Stepping motor driver

Applications

Printers, facsimile system, floppy disks

Feature

Constant-current chopper drive (Separate excitation, with input inverters built in)

Maximum Ratings at Ta=25°C

		unit
Supply Voltage	V _{CC} max Operating voltage at quiescent mode	50 V
Phase Current	I _{OH} max 0.5sec, 1 pulse	2.1 A
Storage Temperature	Tstg	-40to+125 °C
Junction Temperature	Tjmax	150 °C
Operating Case Temperature	Tcmax	105 °C

Allowable Operating Conditions at Ta=25°C

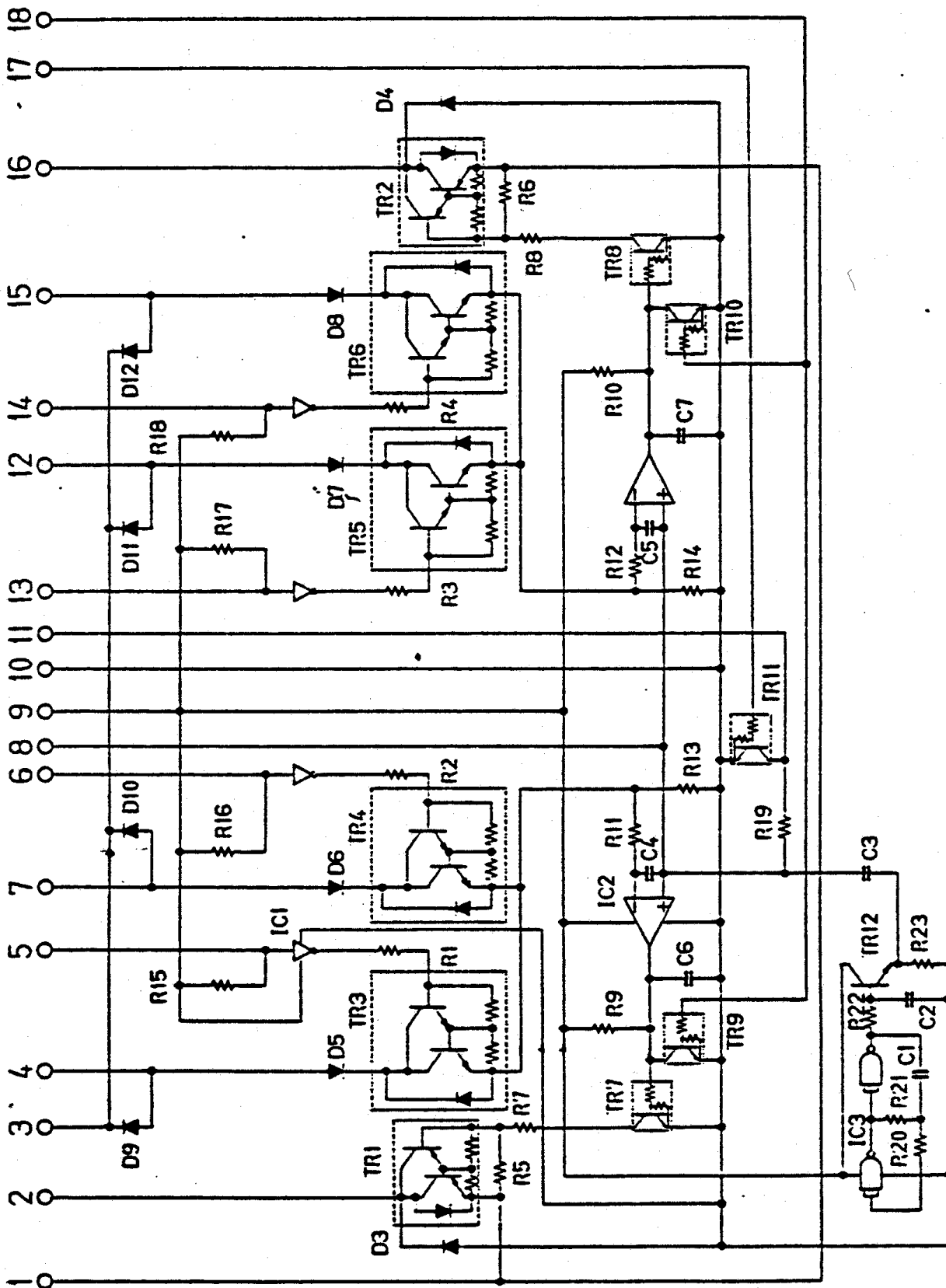
		unit
Supply Voltage	V _{CC} max	22to45 V
Phase Current	I _{OH} max Duty 50%	1.5 A

Electrical Characteristics at Ta=25°C, V_{CC1}=36V, V_{CC2}=5V

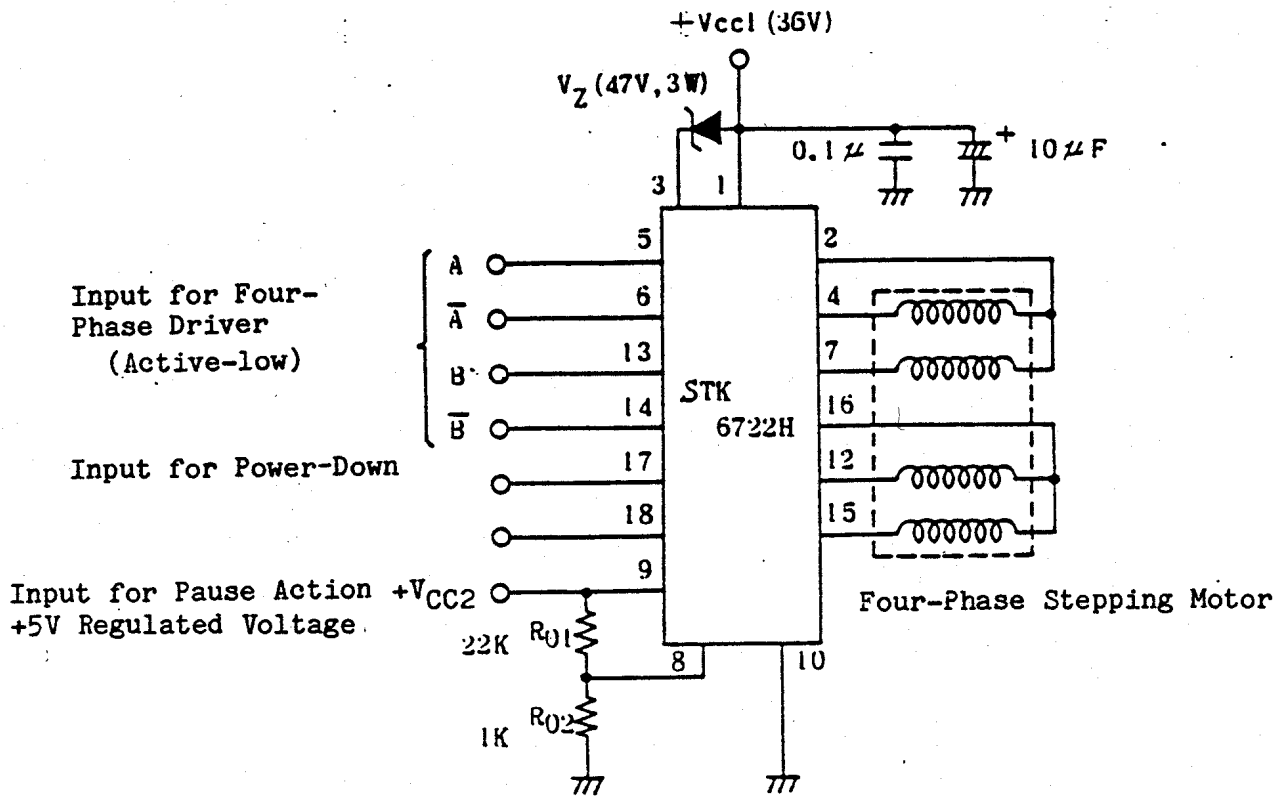
		min	typ	max	unit
Output Saturation Voltage1	Vst-1 RL=12ohms, Vin=GND, V _{CC1} =22V	1.2	1.6		V
Output Saturation Voltage2	Vst-2 RL=21ohms, V _{in} =GND, V _{CC1} =36V	2.5	3.0		V
Output Current (Average)1	Io-1 Load: R=3.5ohms, L=3.8mH Vin=GND, per phase	0.98	1.05	1.12	A
Output Current (Average)2	Io-2 Load: L=3.8mH, R=3.5ohms, per phase, Vin=GND, power-down input voltage Vpd 2.0V ≤ Vpd ≤ 5.0V (pin 17)	0.45	0.52	0.60	A
Current at Pause Mode	Icco 2.0V ≤ Vs ≤ 5.0V, Vin=GND, Vs: pin 18 input pause voltage	10	15	20	mA
OSC Frequency	fc With R _{pd} =680ohms	20	24	28	kHz
Diode Forward Voltage1	Vdf-1 If=0.3A	1.5	1.8		V
Diode Forward Voltage2	Vdf-2 If=0.5A	1.2	1.8		V

Note1. For power supply, use a voltage regulator.

Equivalent Circuit



Application Circuit



Cautions

1. It is inhibited to bring the input signals to "L" level simultaneously.
2. The external zener diode must be selected according to the operating conditions.

$$V_Z < 100 - V_{CC1 \max}$$

Case Outline

