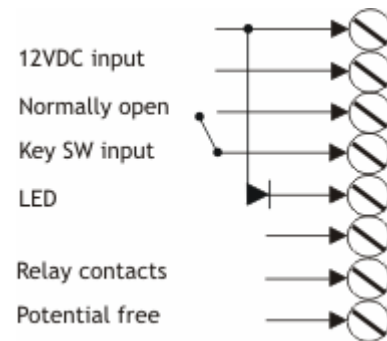


NEAT Stepper Relay



Wiring diagram:



Specifications:

- › Power supply - 12VDC
- › Current drain - 10mA standby current
- › A pulse on key switch input changes the state of relay
- › LED output indicates the state of relay
- › Physical size - 45mm x 41mm

Application:

- › Arm/disarm from multiple points
- › Isolating of single zones
- › Latching of outdoor lighting