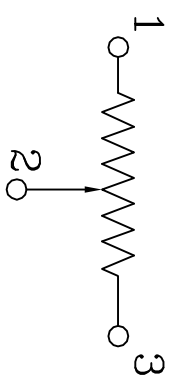
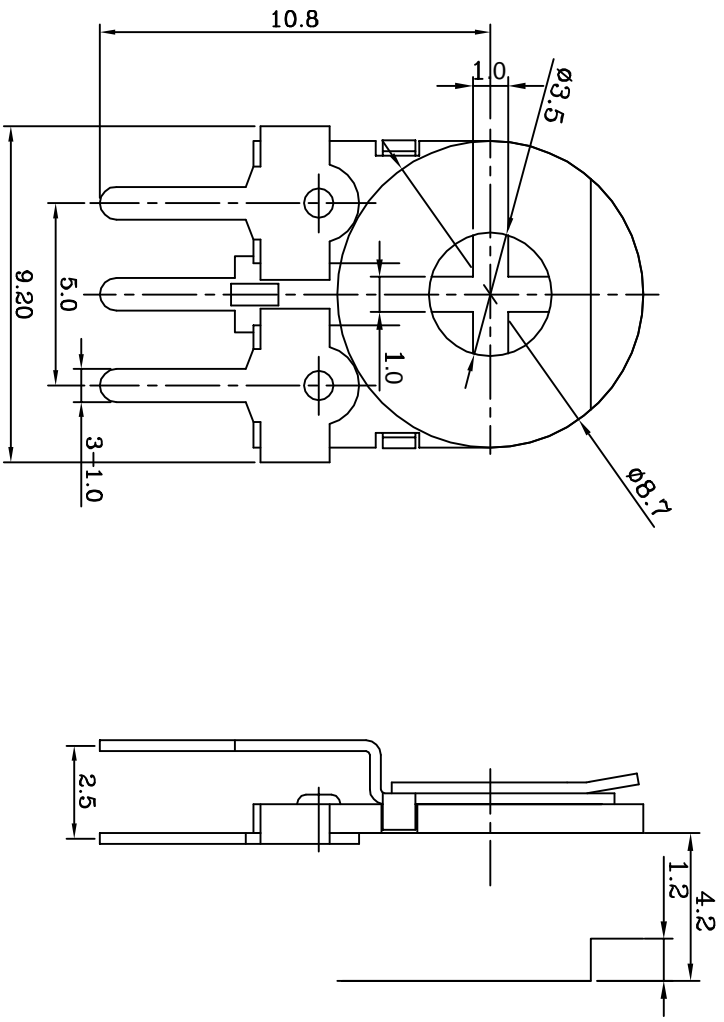
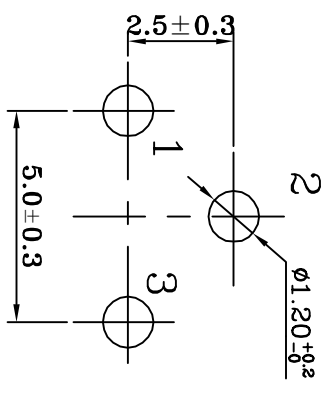


接线图

Circuit Explanation



安装孔位图  
Mounting Hole



RevNO.	Revision note	Date	Signature	Checked

	Designed by	SR083XA	Drawing NO. HOSR08302A	Material	Tolerance Except As Noted	1P Decimal ±0.1	2P Decimal ±0.05	ANGLE ±1°	DEPARTMENT	
	Checked by								REV	A
	Approved by								SCALE	6:1

