

Push Switch 2.5mm-travel Compact-sized Horizontal Type

SPPJ3 Series



Lever height 4.7mm, small sized horizontal type.

Detector

Push

Slide

Rotary

Encoders

Power

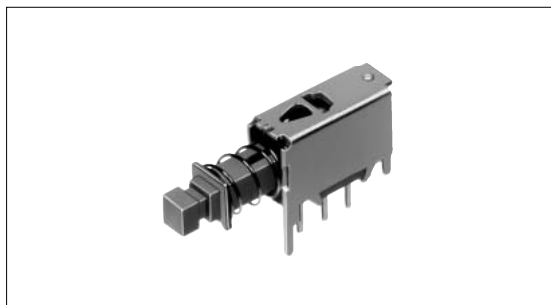
Dual-in-line
Package Type

TACT Switch™

Custom-
Products

Horizontal
Type

Vertical
Type



Typical Specifications

Items		Specifications
Rating (max.)/(min.) (Resistive load)		0.2A 30V DC/50μA 3V DC
Contact resistance (Initial /After operating life)		20m max./40m max.
Operating force	1-pole	2.3 ± 1N
	2-poles	3.3 ± 1N
Operating life	Without load	10,000cycles
	With load	10,000cycles(0.2A 30V DC)

Product Line

Changeover timing	Travel (mm)	Total travel (mm)	Rating	Mounting method	Poles	Operation	Terminal type	Minimum order unit (pcs.)	Product No.	Drawing No.
Non shorting	2.5	3.5		PC board	1	Latching	For PC board	4,500	SPPJ310500	1
						Momentary			SPPJ311500	
					2	Latching			SPPJ320600	2
						Momentary			SPPJ322300	

Dimensions

Unit:mm

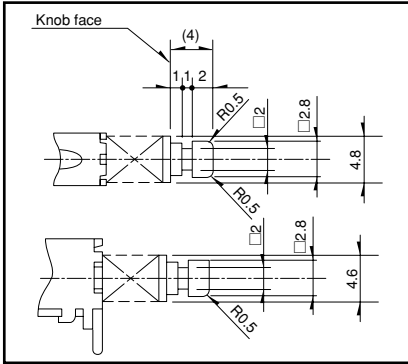
No.	Style	PC board mounting hole dimensions (Viewed from the direction A)
1	<p>1-pole, 2-positions</p>	
2	<p>2-poles, 2-positions</p>	

Notes

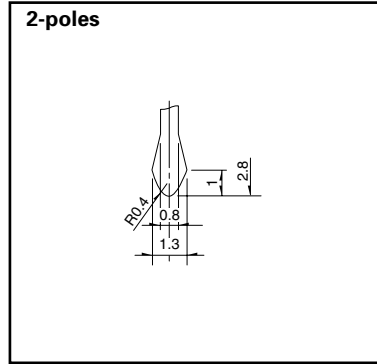
1. Products other than those listed in the above chart are also available. Please contact us for details.
2. Please place purchase orders per minimum order unit (integer).

Refer to P.107 for knobs.

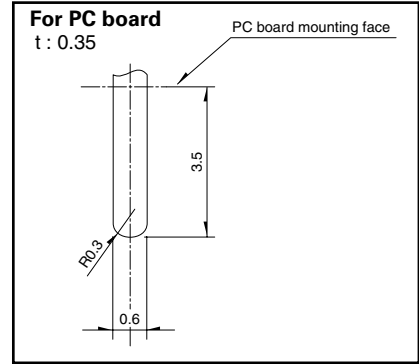
Actuator Configuration at Front Edge
 Unit:mm



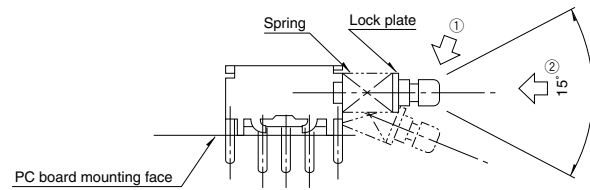
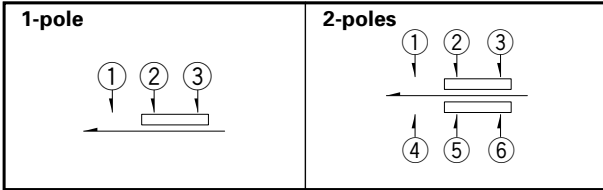
Detail of (a)
 Unit:mm



Terminal Configuration
 Unit:mm



Circuit Diagram (Viewed from Direction A)



Note

The SPPJ3 series should be operated in arrow ② direction as shown in the following figure and applied within an angle of 15° based to the center. If excessive force is applied to the lever from arrow ① direction, it may fall down as illustrated and cause malfunctions.

Detector

Push

Slide

Rotary

Encoders

Power

Dual-in-line
 Package Type

TACT Switch™

Custom-
 Products

**Horizontal
 Type**

Vertical
 Type

List of Varieties

Series	SPEE	SPPJ6	SPPJ3	SPPJ2	SPUJ ₁	SPUP ₁	SPUN	SPUN _{medium current 1}	SPEG	SPPH2	
Photo											
Travel (mm)	0.3 0.71	1.5	2.5		2	1.5 2	2.5			1	
Total travel (mm)	0.9	2.5	3.5		3	2.5 3	3.5		1.2	1.5	
Number of poles	1	2	1 2	2	2 4				1	2	
Dimensions (mm)	W	4	9		6.6 7.2		7.5		10	7.15	6.5
	D	5	12		15.2 22.7		24 36		8.35	6	
	H	1.22	4.5	8.3	9.6	8.8	10.3	13	3.5	6.5	
Operating temperature range	- 10°C to + 60°C		- 40°C to + 85°C		- 10°C to + 60°C						
Rating (max. χ Resistive load)	20mA 5V DC	0.2mA 5V DC	0.2mA 30V DC		0.1mA 30V DC			1A 25V DC	50mA 16V DC	0.1A 12V DC	
Rating (min. χ Resistive load)	100 μ A 3V DC	50 μ A 3V DC						1A 25V DC	50 μ A 3V DC		
Electrical performance	Initial contact resistance	2	20m max.						200m max.	30m max.	
	Insulation resistance	10M min. 100V DC	100M min. 500V DC						3M min. 100V DC	100M min. 500V DC	
	Voltage proof	100V AC for 1minute	500V AC for 1minute						100V AC for 1minute	500V AC for 1minute	
Mechanical performance	Terminal strength	5N for 1minute								0.5N for 1minute	5N for 1minute
	Actuator strength	Operating direction	50N		30N		50N			50N	30N
		Pulling direction	—————								
Durability	Operating life without load	100,000 cycles	10,000cycles 40m max.				30,000cycles 40m max.	10,000cycles 40m max.	35,000cycles 500m max.	10,000cycles 50m max.	
	Operating life without load Load:as rating	100,000 cycles	10,000cycles 40m max.				5,000cycles 40m max.				
Environmental performance	Cold	-40 \pm 2 for 96h	-20 \pm 2 for 96h						-20 \pm 2 for 96h		
	Dry heat	85 \pm 2 for 96h								85 \pm 2 for 96h	
	Damp heat	40 \pm 2 , 90 to 95%RH for 96h								40 \pm 2 , 90 to 95%RH for 96h	
Soldering	Manual soldering	350 \pm 10 4 ⁺¹ ₀ s	350 \pm 10 3 ⁺¹ ₀ s		300 \pm 10 3 ⁺¹ ₀ s		350 \pm 10 3 ⁺¹ ₀ s		350 \pm 5 3s max.	350 max. 3s max.	
	Dip soldering		260 \pm 5 5 \pm 1s	260 \pm 5 10 \pm 1s	260 \pm 5 5 \pm 1s		260 \pm 5 10 \pm 1s			260 \pm 5 5 \pm 1s	
	Reflow soldering	Please see P.108	—————						Please see P.108		
Page	84	85	86	88	90	91	92		94	96	

Push Switches Attached Parts	107
Soldering Conditions	108
Push Switches Products Caution	109

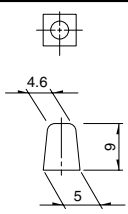
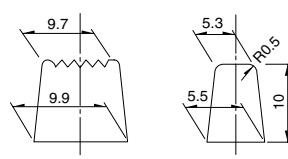
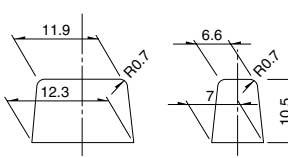
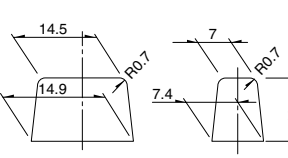
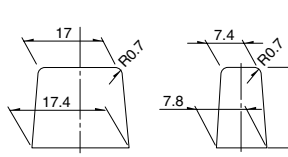
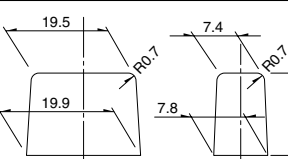
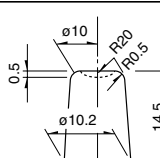
Notes

- ※1. The operating temperature range for automotive applications can be raised upon request. Please contact us for requirements of this kind.
- ※2. 1V or less, at the present rating of 1mA, 5V DC for output voltage.

Attached Parts

Please specify required knob.

Unit:mm

Knob outline drawing	Variety		Series
	Color	Model	
	Black Red White	UJ206022 UJ206020 UJ206026	SPPJ3 SPUJ
<p>Key pitch 10mm</p> <p>Square knob</p> 		4093-1 4093-2 4093-3	
<p>Key pitch 12.5mm</p> <p>Square knob</p> 		UE201011 UE201012 UE201013	
<p>Key pitch 15mm</p> <p>Square knob</p> 		UE202011 UE202012 UE202013	SPPJ2 SPUP
<p>Key pitch 17.5mm</p> <p>Square knob</p> 		UE203011 UE203012 UE203013	SPUN SPEC
<p>Key pitch 20mm</p> <p>Square knob</p> 		UE204011 UE204012 UE204013	
<p>Round knob</p> 		UE200011 UE200012 UE200013	

Detector

Push

Slide

Rotary

Encoders

Power

Dual-in-line
Package Type

TACT Switch™

Custom-
Products

Horizontal
Type

Vertical
Type

Note

We recommend the use of adhesive to secure the knob when mounting onto switches.

