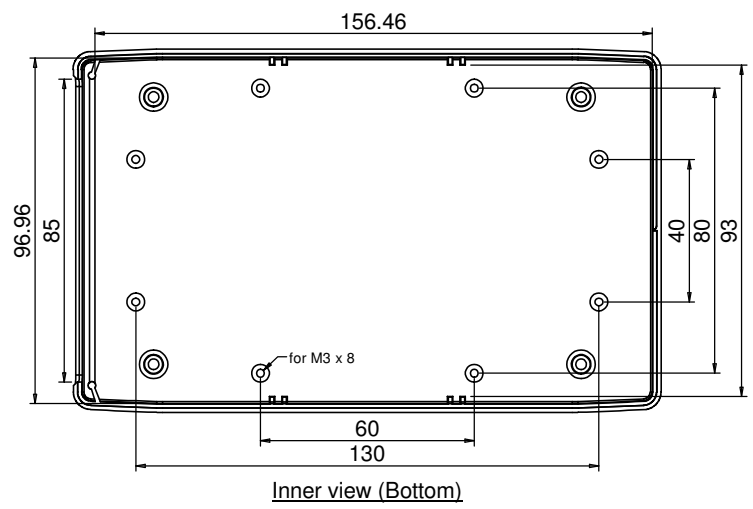


Hand-Held Enclosure Size:  
 165 x 100 x 32 mm. Material:  
 ABS,(UL-94HB). Color: Light  
 Grey.  
 Working temp: -25 °c ~ 80 °c  
 Supply:  
 1. Fixing screw x 4 pcs.  
 2. PCB screw x 4 pcs.



Design	Check	Confirm	File	Date	Scale
William				2015.12.28	
			SP77813 Dimensions		
			165 x 100 x 32 mm.	Ver.	Page 1/1