



peculiarity

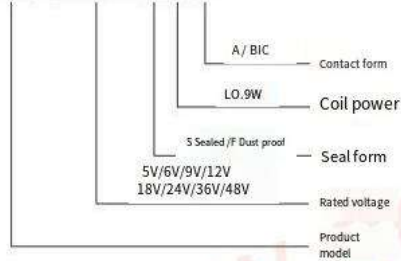
Small size PCB welding
16A/20A/30A multiple load options
2000V/4000V voltage options are available
The ambient temperature can meet +85°C, +105°C



E179944
R50056114
CQC
CQC08002027666
CQC08002027668

Ordering information

SLA-12VDC-S L-C



Contact load

Contact form	A / B / C
Contact resistance	100mΩ
Contact material	Silver alloys: AgCdO, AgSnO2, AgNi
Contact load	1hp / 16a / 120vac 20a / 250vac 30a / 250vac
Maximum switching voltage	250VAC
Maximum switching current	30A
Maximum switching power	7200VA
Electrical life (frequency: 1800 cycles per hour)	times / 1 × 10 ⁶ times
Mechanical life (frequency: 18000 times per hour)	1 × 10 ⁷ times

Characteristic parameter

Insulation class	比夫
Insulation resistance	100MΩ (500VDC)
Dielectric withstand voltage	Between coil and contact 2000/4000VAC 1 minute
Leakage current (ImA)	Disconnect between contacts 1000VAC 1 min
Pull-in time	< 10毫秒
Release time (at rated voltage)	10毫秒
Ambient temperature	45%~85%RH (20°C)
stability	-40°C~+85°C / -40°C~+105°C
Impact resistance	98米/秒 ²
	980米/秒 ²
Anti-vibration (double amplitude)	10 Hz-55Hz 1.5毫米
weight	About 23g
Encapsulation form	Sealed type

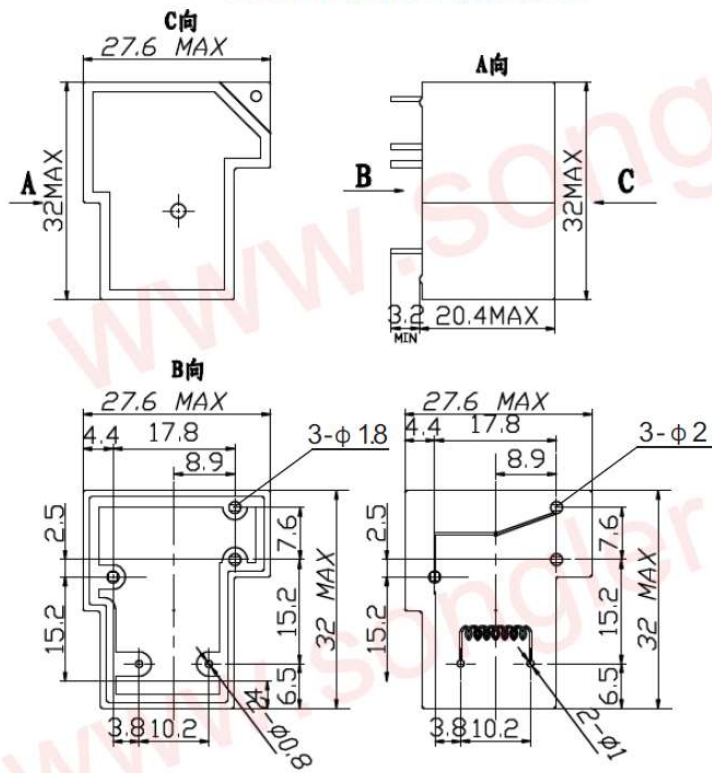
Note :1) The preceding data are initial values

Coil specification sheet

Room temperature (20°C)

在	voltage 直流	Current resistance mΩ ±10%	Pull-in voltage	Release voltage	Overload voltage
0.9 w (走)	05	185	27	75%的马克斯 MAX 10%的最小值 MIN	130%
	06	150	40		
	09	100	90		
	12	75	160		
	18	50	380		
	24	37.5	640		
	36	25	1440		
	48	18.75	2560		

Outline installation dimensions



PCB

