

SHINMEI RELAYS

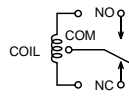
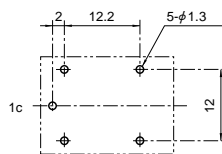
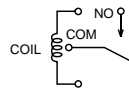
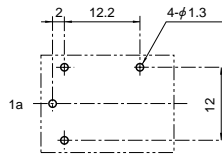
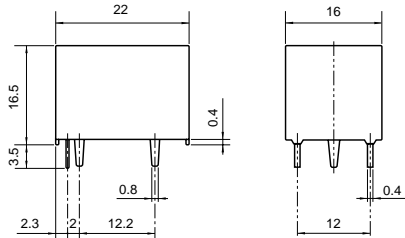
パワーリレー / POWER RELAYS

製品名
PART NO.

外形図
DIMENSIONS (mm)

個別仕様
PERFORMANCE

■ RPA



■性能概要 / SPECIFICATIONS

SPDT (1c) SPST (1a)	10A 125V AC 6A 250V AC	
最大開閉電圧 Max. switching voltage	250V AC 100V DC	
最大開閉電力 Max. switching power	1,250VA 150W	
定格消費電力 Electric power consumption	360mW (Standard) 200mW (Only 1a: High sensitive)	
耐電圧 Initial breakdown voltage	接点間 Between open contacts	750Vrms (1minute)
	接点-コイル間 Between contacts and coil	1,500Vrms (1minute)
機械の寿命 Mechanical Life	10,000,000 operations (at 180cpm)	
電気的寿命 Electrical Life		100,000 operations (Standard) 80,000 operations (High sensitive)

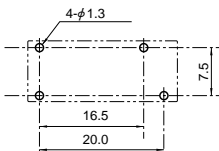
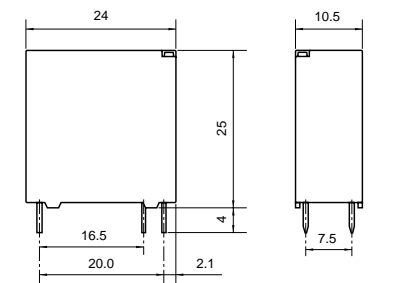
■ RPM



■性能概要 / SPECIFICATIONS

SPDT (1c) SPST (1a)	15A 16V DC 5A 32V DC	
最大開閉電圧 Max. switching voltage	32V DC	
最大開閉電力 Max. switching power	240W	
定格消費電力 Electric power consumption	640mW	
耐電圧 Initial breakdown voltage	接点間 Between open contacts	750Vrms (1minute)
	接点-コイル間 Between contacts and coil	1,500Vrms (1minute)
機械の寿命 Mechanical Life	10,000,000 operations (at 180cpm)	
電気的寿命 Electrical Life	100,000 operations (15A 16VDC)	

■ RPE

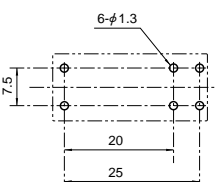
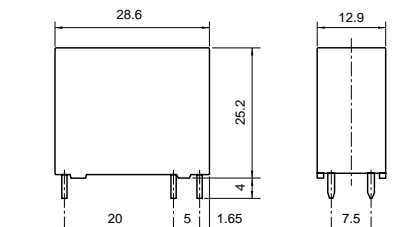


■性能概要 / SPECIFICATIONS

SPST (1a)	10A 125V AC 8A 30V DC	
最大開閉電圧 Max. switching voltage	250V AC 100V DC	
最大開閉電力 Max. switching power	2,000VA 240W	
定格消費電力 Electric power consumption	530mW (Standard) 250mW (High sensitive)	
耐電圧 Initial breakdown voltage	接点間 Between open contacts	1,000Vrms (1minute)
	接点-コイル間 Between contacts and coil	4,000Vrms (1minute)
機械の寿命 Mechanical Life	200,000 operations (at 180cpm)	
電気的寿命 Electrical Life	200,000 operations (Standard) 100,000 operations (High sensitive)	

静音タイプ (RPE-Q) も揃えています。
Quiet type (RPE-Q) available

■ RPH



■性能概要 / SPECIFICATIONS

DPST (2a)	7A 125V AC 5A 30V DC	
最大開閉電圧 Max. switching voltage	250V AC, 30V DC	
最大開閉電力 Max. switching power	1,250VA, 150W	
定格消費電力 Electric power consumption	530mW (Standard) 250mW (High sensitive)	
耐電圧 Initial breakdown voltage	接点間 Between open contacts	1,000Vrms (1minute)
	異極接点間 Between opposite pole contacts	3,000Vrms (1minute)
	接点-コイル間 Between contacts and coil	5,000Vrms (1minute)
機械の寿命 Mechanical Life	5,000,000 operations (at 180cpm)	
電気的寿命 Electrical Life	100,000 operations	

SHINMEI RELAYS

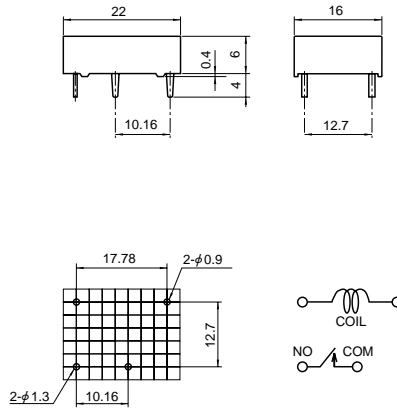
パワーリレー / POWER RELAYS

製品名
PART NO.

外形図
DIMENSIONS (mm)

個別仕様
PERFORMANCE

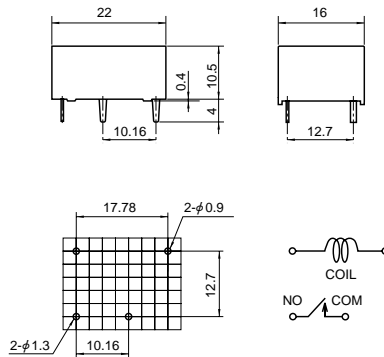
RPJ



性能概要 / SPECIFICATIONS

		RPJ
SPST (1a)		10A 125V AC
最大開閉電圧 Max. switching voltage		110V DC 250V AC
最大開閉電力 Max. switching power		2,000VA
定格消費電力 Electric power consumption		300mW 500mW (48,100V Typ.)
耐電圧 Initial breakdown voltage	接点間 Between open contacts	1,000Vrms (1minute)
	接点-コイル間 Between contacts and coil	1,500Vrms (1minute)
機械的寿命 Mechanical Life		10,000,000 operations (at 180cpm)
電気的寿命 Electrical Life		50,000 operations (Standard) 150,000 operations (High capacity)

RPC

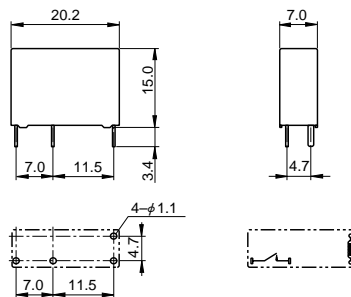


性能概要 / SPECIFICATIONS

		RPC
SPST (1a)		10A 125V AC (Standard) 16A 125V AC (High capacity)
最大開閉電圧 Max. switching voltage		110V DC 250V AC
最大開閉電力 Max. switching power		2,500VA (Standard) 4,000VA (High capacity)
定格消費電力 Electric power consumption		200mW 600mW (100V Typ)
耐電圧 Initial breakdown voltage	接点間 Between open contacts	1,000Vrms (1minute)
	接点-コイル間 Between contacts and coil	1,500Vrms (1minute)
機械的寿命 Mechanical Life		10,000,000 operations (at 180cpm)
電気的寿命 Electrical Life		300,000 operations (Standard) 100,000 operations (High capacity)

RPG

NEW

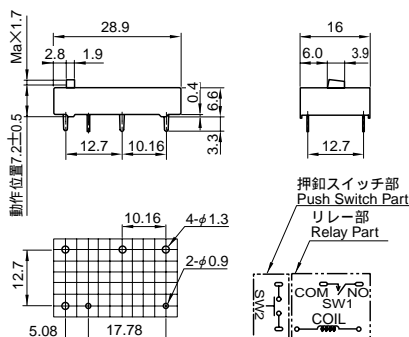


性能概要 / SPECIFICATIONS

		RPG
SPST (1a)		3A 125V AC, 3A 250V AC 3A 30V DC
最大開閉電圧 Max. switching voltage		250V AC, 100V DC
最大開閉電力 Max. switching power		750VA, 90W
定格消費電力 Electric power consumption		200mW
耐電圧 Initial breakdown voltage	接点間 Between open contacts	750Vrms (1minute)
	接点-コイル間 Between contacts and coil	4,000Vrms (1minute)
機械的寿命 Mechanical Life		5,000,000 operations (at 180cpm)
電気的寿命 Electrical Life		200,000 operations

RPS

NEW



性能概要 / SPECIFICATIONS

		RPS
SPST (1a)		5A 125V AC
最大開閉電圧 Max. switching voltage		250V AC
最大開閉電力 Max. switching power		625VA
定格消費電力 Electric power consumption		300mW 500mW (48,100V Typ.)
耐電圧 Initial breakdown voltage	接点間 Between open contacts	1,000Vrms (1minute)
	接点-コイル間 Between contacts and coil	1,000Vrms (1minute)
	押しスイッチ-リレー間 Between push switch and relay	1,000Vrms (1minute)
機械的寿命 Mechanical Life		50,000 operations (at 180cpm)
電気的寿命 Electrical Life		50,000 operations